



TURBOFLOW TF

Contra Rotating Axial Flow Fan

TURBOFLOW TF

Product Overview



- 5 standard sizes from 450mm to 630mm
- Air volume flow rates up to 4.6 m³/s
- Static pressures up to 764 Pa
- Suitable for operating temperatures up to +70°C
- Ideal for internal or external use
- Available in **AC**

The Turboflow TF is a two stage axial fan which has been specifically developed to tackle higher pressure requirements with a straightforward, efficient and definitive approach.

Easy Installation

Motors are wired via a weatherproofed cable to an IP55 protected terminal box mounted on the outside of the unit casing for ease of electrical connection.

Efficient Performance

High efficiency adjustable pitch aerofoil impellers are provided with blades made from high quality pressure die cast aluminium. Increased blade chord and twist provides 7% higher efficiency reducing overall energy consumption. The use of contra-rotating impellers allow operation at higher pressures within a smaller fan diameter.

Controllability

The Eltadrive range of inverters has been designed encompassing the latest technology and combining robustness with reliability. Using an inverter to control fans via sensors to reduce fan speed can provide significant cost-savings through lower energy consumption.

Long Life

The use of robust three phase motors, coupled with inverter soft starts, reduces wear and prolongs life.

Warranty

Each TF has a 12 month warranty.

Construction

Units have been constructed from a single sheet of steel, with both motors and axial impellers mounted within the length of the unit casing. All casing parts are heavy gauge mild steel sheet, roll formed and welded for added strength and durability, hot dip galvanised to BS EN ISO 1461:2009.

Motor

Motors are totally enclosed, airstream rated induction motors with sealed for life, maintenance free ball bearings, allowing the fan to be installed at any angle. Available in either 1 phase or 3 phase. Fans are suitable for operating temperatures between -20°C and +70°C.

Impeller

Increased twist aerofoil impellers provide improved efficiency and acoustics suitable for higher stress applications. Blades are made from high quality pressure die cast aluminium (LM6), natural finish. Impellers are factory set at an angle to provide maximum performance.

Typical Applications

- Boiler Rooms
- Changing Rooms
- Commercial Kitchens
- Factories
- Gymnasiums
- Plant rooms
- Sport Centres
- Squash Courts
- Warehousing and stores

Contents

Page	Information
3	Performance Range Curves
4	Performance, SFP & Electrical Data
6	Sound Data
8	Dimensional Data
10	Accessories

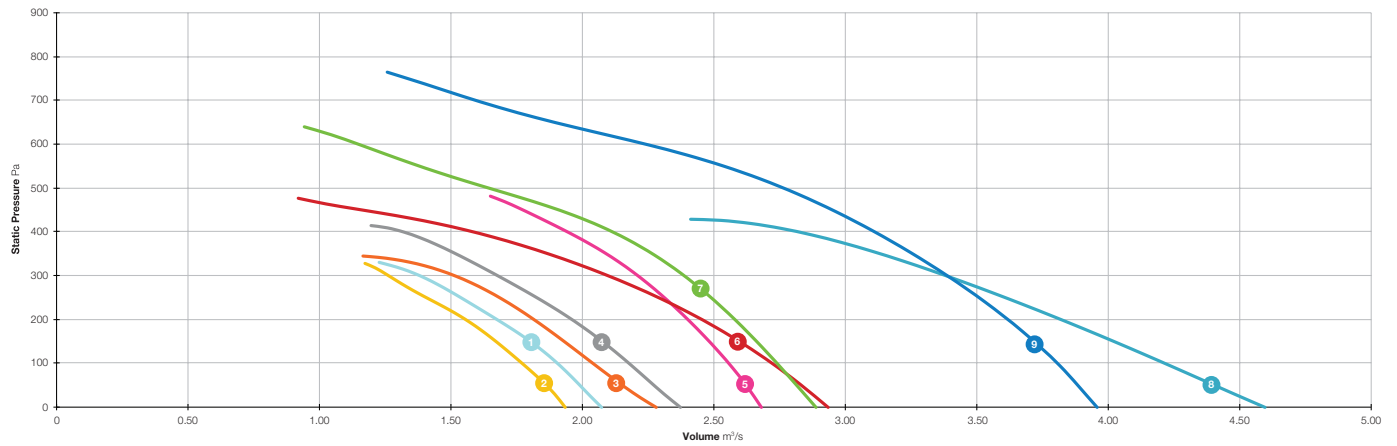
Product Coding

Code	Reference
TF	Product Range
450	Diameter (315/350/400...)
/	
4	Number of Poles (2/4/6)
-	
3	Voltage Supply (Single Phase / Three Phase)
AC	Motor Type (AC/EC)
A - Z	Additional Coding (A - Z) Product Variants
e.g.	TF450 / 4 - 3AC

TURBOFLOW TF



Performance Range Curves



- 1 TF450 / 4-1AC
- 2 TF450 / 4-3AC
- 3 TF500 / 4-1AC

- 4 TF500 / 4A-3AC
- 5 TF500 / 4B-3AC
- 6 TF560 / 4-1AC

- 7 TF560 / 4-3AC
- 8 TF630 / 4-1AC
- 9 TF630 / 4-3AC

TURBOFLOW TF



Performance, SFP & Electrical Data

Single Phase 220V to 240V / 50Hz

Product Code	Speed r/min	Airflow SFP	Airflow m ³ /s @ Static Pressure Pa											At Best Efficiency Point			Electrical Data		dBA @ 3m
			0	25	50	75	100	150	200	250	300	350	400	Overall Eff %	FMEG N	Input kW	Peak Amps		
TF450/4-1AC	1465	m ³ /s	2.070	2.028	1.988	1.948	1.904	1.801	1.675	1.538	1.382	-	-	52.7	59	0.900	4.01	Inlet	67
		W/(L/s)	0.32	0.34	0.35	0.37	0.40	0.45	0.51	0.58	0.66	-	-					Outlet	68
TF500/4-1AC	1465	m ³ /s	2.284	2.217	2.156	2.099	2.043	1.933	1.817	1.686	1.514	-	-	56.7	63	0.882	3.94	Inlet	64
		W/(L/s)	0.26	0.28	0.30	0.33	0.35	0.40	0.46	0.52	0.60	-	-					Outlet	64
TF560/4-1AC	1375	m ³ /s	2.938	2.888	2.836	2.782	2.724	2.599	2.456	2.290	2.097	1.868	1.580	52.6	58	1.364	6.17	Inlet	65
		W/(L/s)	0.35	0.37	0.38	0.40	0.42	0.47	0.52	0.58	0.65	0.75	0.88					Outlet	65
TF630/4-1AC	1340	m ³ /s	4.600	4.504	4.409	4.315	4.220	4.026	3.824	3.612	3.386	3.136	2.823	54.2	58	2.364	11.40	Inlet	69
		W/(L/s)	0.41	0.43	0.44	0.46	0.48	0.53	0.57	0.63	0.69	0.76	0.86					Outlet	68

Data provided is at standard air density of 1.2 kg/m³.

Data in accordance with ErP 327/2011 of the European Parliament. Measurement category used to determine energy efficiency: D.

Peak Amps @ 230V / 1PH / 50Hz.

The overall A-weighted sound pressure level is at a distance of 3m with spherical free-field propagation. It is expressed in dB re-20µPa and is presented for comparative purposes only.

TURBOFLOW TF



Performance, SFP & Electrical Data

Three Phase 380V to 415V / 50Hz

Product Code	Speed r/min	Airflow SFP	Airflow m ³ /s @ Static Pressure Pa												At Best Efficiency Point			Electrical Data		dBA @ 3m	
			0	25	50	75	100	150	200	250	300	350	400	500	Overall Eff %	FMEG N	Input kW	Peak Amps	Δ / Y		
TF450/4-3AC	1415	m ³ /s	1.938	1.905	1.866	1.821	1.773	1.673	1.556	1.406	1.261	-	-	-	51.1	58	0.797	2.0	Mains	Inlet	69
		W/(L/s)	0.30	0.32	0.35	0.37	0.40	0.45	0.51	0.59	0.68	-	-	-						Outlet	70
TF500/4A-3AC	1455	m ³ /s	2.377	2.324	2.276	2.229	2.181	2.079	1.963	1.828	1.679	1.519	1.317	-	55.9	62	1.017	2.22	Mains	Inlet	69
		W/(L/s)	0.29	0.31	0.33	0.35	0.37	0.42	0.48	0.54	0.62	0.70	0.81	-						Outlet	67
TF500/4B-3AC	1445	m ³ /s	2.682	2.654	2.624	2.592	2.558	2.484	2.402	2.312	2.211	2.091	1.942	-	53.4	58	1.620	3.20	Mains	Inlet	66
		W/(L/s)	0.42	0.43	0.45	0.47	0.49	0.54	0.59	0.65	0.71	0.78	0.88	-						Outlet	68
TF560/4-3AC	1440	m ³ /s	2.886	2.850	2.813	2.776	2.739	2.661	2.578	2.488	2.385	2.264	2.113	1.641	56.7	61	1.607	3.22	Mains	Inlet	68
		W/(L/s)	0.35	0.37	0.38	0.40	0.42	0.47	0.52	0.57	0.64	0.71	0.79	1.04						Outlet	70
TF630/4-3AC	1460	m ³ /s	3.956	3.922	3.886	3.847	3.806	3.717	3.618	3.508	3.387	3.256	3.112	2.765	62.6	66	2.351	4.61	Mains	Inlet	73
		W/(L/s)	0.35	0.37	0.38	0.40	0.42	0.46	0.51	0.56	0.61	0.67	0.74	0.88						Outlet	74

Data provided is at standard air density of 1.2 kg/m³.

Data in accordance with ErP 327/2011 of the European Parliament. Measurement category used to determine energy efficiency: D.

Peak Amps @ 400V / 3PH / 50Hz.

The overall A-weighted sound pressure level is at a distance of 3m with spherical free-field propagation. It is expressed in dB re-20μPa and is presented for comparative purposes only.

TURBOFLOW TF



Sound Data

Single Phase 220V to 240V / 50Hz

Product Code		Sound Power Level dBW @ Octave Band Hz								Total dB
		63Hz	125Hz	250Hz	500Hz	1kHz	2kHz	4kHz	8kHz	
TF450/4-1AC	Inlet	89	92	91	85	82	76	71	66	96
	Outlet	90	91	90	87	82	79	73	68	96
TF500/4-1AC	Inlet	78	86	89	83	77	74	70	63	92
	Outlet	79	86	88	82	79	75	71	64	91
TF560/4-1AC	Inlet	79	85	86	82	80	77	73	68	91
	Outlet	80	84	85	82	81	79	75	70	90
TF630/4-1AC	Inlet	86	87	88	85	84	83	80	75	94
	Outlet	85	87	88	86	84	81	76	71	94

Data provided at standard air density of 1.2 Kg/m³.
Tests and preparation of the sound data have been carried out in accordance with BS 848 Part 2:1985 at 50% peak pressure.
The Sound Power Level Spectra are in dB re-1pW.

TURBOFLOW TF



Sound Data

Three Phase 380V to 415V / 50Hz

Product Code	Speed r/min		Sound Power Level dBW @ Octave Band Hz								Total dB
			63Hz	125Hz	250Hz	500Hz	1kHz	2kHz	4kHz	8kHz	
TF450/4-3AC	1415	Inlet	87	94	97	83	80	75	70	64	99
		Outlet	88	94	98	83	81	78	72	66	100
TF500/4A-3AC	1455	Inlet	79	91	97	81	78	74	70	64	98
		Outlet	79	89	95	81	79	76	72	67	96
TF500/4B-3AC	1445	Inlet	82	84	88	85	82	77	72	65	92
		Outlet	82	83	88	87	83	80	75	69	93
TF560/4-3AC	1440	Inlet	82	83	91	87	83	80	76	70	94
		Outlet	83	83	91	89	85	82	78	72	95
TF630/4-3AC	1460	Inlet	85	85	92	91	89	84	81	77	97
		Outlet	86	85	93	92	90	87	83	79	98

Data provided at standard air density of 1.2 kg/m³.

Tests and preparation of the sound data have been carried out in accordance with BS 848 Part 2:1985 at 50% peak pressure.

The Sound Power Level Spectra are in dB re-1pW.

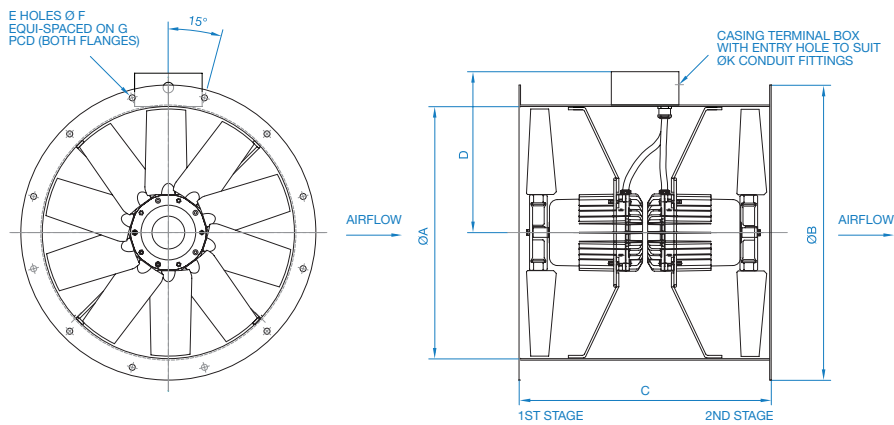
TURBOFLOW TF



Dimensional Data

Single Phase

Product Code	Fan Dia A	B	C	D	E	F	G	K	Weight kg
TF450/4-1AC	450	530	540	287	8	12	500	20	81
TF500/4-1AC	500	585	550	313	12	12	560	20	85
TF560/4-1AC	560	645	500	344	12	12	620	20	58
TF630/4-1AC	630	715	500	380	12	12	690	20	67



Dimensions are in mm.

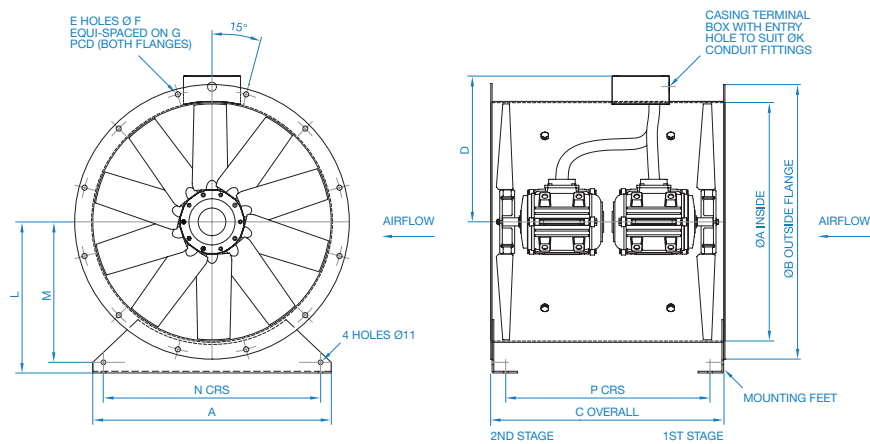
TURBOFLOW TF



Dimensional Data

Three Phase

Product Code	A	B	C	D	E	F	G	K	L	M	N	P	Weight kg
TF450/4-3AC	450	530	500	285	8	12	500	20	280	255	400	439	42
TF500/4A-3AC	500	585	550	315	12	12	560	20	315	290	450	489	53
TF500/4B-3AC	500	585	550	315	12	12	560	20	315	290	450	489	53
TF560/4-3AC	560	645	550	345	12	12	620	20	355	330	510	480	59
TF630/4-3AC	630	715	600	380	12	12	690	20	400	375	580	530	83



*Weight does not include mounting feet.
Dimensions are in mm.

TURBOFLOW TF



Accessories

Single Phase

Product Code	Ancillary Pack*	AV Mounts (set of 4)	Bell Mouth Inlet	Flanged Damper	Flanged Silencer 1D Podded	Flanged Silencer 1D Unpodded	Flanged Silencer 2D Podded
TF450/4-1AC	APK450SI/003	062-003	241B-0450-BELL	019-0450-STD	068-0450-1DEP	068-0450-1DENP	068-0450-2DEP
TF500/4-1AC	APK500SI/003	062-003	241B-0500-BELL	019-0500-STD	068-0500-1DEP	068-0500-1DENP	068-0500-2DEP
TF560/4-1AC	APK560SI/003	062-003	241B-0560-BELL	019-0560-STD	068-0560-1DEP	068-0560-1DENP	068-0560-2DEP
TF630/4-1AC	APK630SI/003	062-003	241B-0630-BELL	019-0630-STD	068-0630-1DEP	068-0630-1DENP	068-0630-2DEP

Product Code	Flanged Silencer 2D Unpodded	Impeller Side Guard	Matching Flanges (each)	Mounting Feet (each)	Standard Ambient Flexible Connector (each)	Transformer Controller	Wiring Diagram
TF450/4-1AC	068-0450-2DENP	078C-0450-C	061B-0450	060B-0450	063-0450-MAN150	149-TC110	152-502
TF500/4-1AC	068-0500-2DENP	078C-0500-C	061B-0500	060B-0500	063-0500-MAN150	149-TC110	152-502
TF560/4-1AC	068-0560-2DENP	078C-0560-C	061B-0560	060B-0560	063-0560-MAN150	149-TC110	152-510
TF630/4-1AC	068-0630-2DENP	078C-0630-C	061B-0630	060B-0630	063-0630-MAN200	-	152-510

* Consists of Flexible Connections, Matching Flanges, AV Mounts and Mounting Feet.

TURBOFLOW TF



Accessories

Three Phase

Product Code	Ancillary Pack*	AV Mounts (set of 4)	Bell Mouth Inlet	Eitadrive Variable Speed Drive 3PH-3PH IP66	Eitadrive Variable Speed Drive 3PH-3PH IP20	Eitadrive Variable Speed Drive 1PH-3PH IP66
TF450/4-3AC	APK450SI/003	062-003	241B-0450-BELL	149-ODE3-14075-3KA1Y	149-ODE3-14075-3KA12	149-ODE3-12075-1KB1Y
TF500/4A-3AC	APK500SI/003	062-003	241B-0500-BELL	149-ODE3-14150-3KA1Y	149-ODE3-14150-3KA12	149-ODE3-12150-1KB1Y
TF500/4B-3AC	APK500SI/003	062-003	241B-0500-BELL	149-ODE3-14150-3KA1Y	149-ODE3-14150-3KA12	149-ODE3-12150-1KB1Y
TF560/4-3AC	APK560SI/003	062-003	241B-0560-BELL	149-ODE3-14150-3KA1Y	149-ODE3-14150-3KA12	149-ODE3-12150-1KB1Y
TF630/4-3AC	APK630SI/003	062-003	241B-0630-BELL	149-ODE3-24220-3KA4Y	149-ODE3-24220-3KA42	149-ODE3-22220-1KB4Y

Product Code	Eitadrive Variable Speed Drive 1PH-3PH IP20	Flanged Damper	Flanged Silencer 1D Podded	Flanged Silencer 1D Unpodded	Flanged Silencer 2D Podded	Flanged Silencer 2D Unpodded
TF450/4-3AC	149-ODE3-12075-1KB12	019-0450-STD	068-0450-1DEP	068-0450-1DENP	068-0450-2DEP	068-0450-2DENP
TF500/4A-3AC	149-ODE3-12150-1KB12	019-0500-STD	068-0500-1DEP	068-0500-1DENP	068-0500-2DEP	068-0500-2DENP
TF500/4B-3AC	149-ODE3-12150-1KB12	019-0500-STD	068-0500-1DEP	068-0500-1DENP	068-0500-2DEP	068-0500-2DENP
TF560/4-3AC	149-ODE3-12150-1KB12	019-0560-STD	068-0560-1DEP	068-0560-1DENP	068-0560-2DEP	068-0560-2DENP
TF630/4-3AC	149-ODE3-22220-1KB42	019-0630-STD	068-0630-1DEP	068-0630-1DENP	068-0630-2DEP	068-0630-2DENP

Product Code	Impeller Side Guard	Matching Flanges (each)	Mounting Feet (each)	Standard Ambient Flexible Connector (each)	Wiring Diagram
TF450/4-3AC	078C-0450-C	061B-0450	060B-0450	063-0450-MAN150	152-600
TF500/4A-3AC	078C-0500-C	061B-0500	060B-0500	063-0500-MAN150	152-600
TF500/4B-3AC	078C-0500-C	061B-0500	060B-0500	063-0500-MAN150	152-600
TF560/4-3AC	078C-0560-C	061B-0560	060B-0560	063-0560-MAN150	152-600
TF630/4-3AC	078C-0630-C	061B-0630	060B-0630	063-0630-MAN200	152-600



Fan & inverter packages available.

Please contact Elta Fans for more information.

* Consists of Flexible Connections, Matching Flanges, AV Mounts and Mounting Feet.

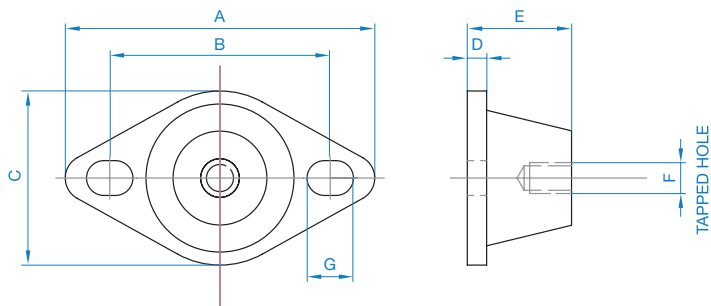
AV MOUNTS

Accessories



- Fits directly to mounting feet
- Rubber with steel insert
- Supplied as set of 4, complete with fixings

Product Code	A	B	C	D	E	F	G	Weight kg
062-003	80	57	45	5	32	M8	12 x 9	0.102



Dimensions are in mm.

BELL MOUTH INLET

Accessories

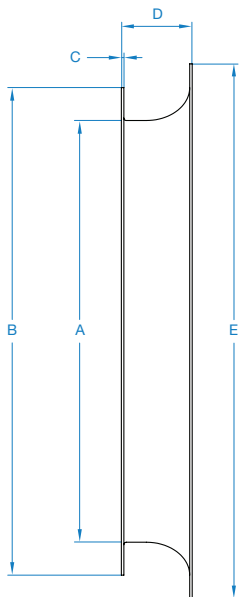
- For improved airflow in end of duct applications
- Fixed directly to fan case flange
- Hot dip galvanised steel



Single Phase 220V to 240V / 50Hz or 60Hz

Product Code	Fan Dia. A	B	C	D	E	Weight kg
241B-0450-BELL	450	535	3	85	570	5.3
241B-0500-BELL	500	585	3	93	630	6.2
241B-0560-BELL	560	645	3	105	700	7.5
241B-0630-BELL	630	715	3	105	780	9.0

*Inlet cone



Dimensions are in mm.

ELTADRIVE VARIABLE SPEED DRIVES

IP20

- Up to 22kW
- Built in PI control, EMC filter (C1) & brake chopper
- Application macros for industrial fan operation
- Bluetooth® connectivity
- Controls multiple motor types: IE2, 3, 4, IM, PM, BLDC and SynRM
- Operates up to 50°C



Overview

Compact, robust and reliable general purpose drive for panel mounting.

Simply Power Up

Eltadrive E3 provides precise motor control and energy savings using the factory settings. Simply power up and the drive can immediately deliver energy savings. 14 basic parameters allow simple adjustment for your application if required, with up to 50 parameters available in total for a highly flexible performance.

Power Supply

Connects at top.

Fast Connection

5mm rising clamp terminals with captive screws.

Quick Reference

Integrated help card.

Modbus RTS & CANopen

On board as standard.

SmartStart

Rapid parameter cloning and Bluetooth® PC interface.

Motor Supply

Connects at base.

Dimensional Data

Model	Size	Height	Width	Depth	Weight kg	Fixings
IP20	1	173	83	123	1.0	4 x M5
	2	221	110	150	1.7	4 x M5
	3	261	131	175	3.2	4 x M5
	4	420	171	212	9.1	4 x M8

Dimensions in mm.

ELTADRIVE VARIABLE SPEED DRIVES

IP66

- Up to 7.5kW
- Conformal coating as standard
- Switched or Non-Switched

Overview

Enclosed drives for direct machine mounting, dust-tight and ready for washdown duty.

Dust Tight Design

Install directly on your processing equipment and be sure of protection from dust and contaminants.

Washdown Ready

With a sealed ABS enclosure and corrosion resistant heatsink, the Eltadrive E3 IP66 is ideal for high-pressure washdown applications.

Eltadrive E3 IP66 Switched

Simply wire up the drive, turn the inbuilt potentiometer and the motor will start running - allowing immediate energy savings.

Coated Heatsink as Standard

Ideal for hygiene based operations requiring washdown such as food & beverage.

Fanless Heatsink

For reliable, cost effective operation.

Local Speed Potentiometer

Run Reverse / Off / Run Forward Switch

Lockable Mains

Disconnect / Isolator.

Dimensional Data

Model	Size	Height	Width	Depth	Weight kg	Fixings
IP66	1	232	161	179	3.1	4 x M4
	2	257	188	187	4.1	4 x M4
	3	310	211	252	7.6	4 x M4

Dimensions in mm.



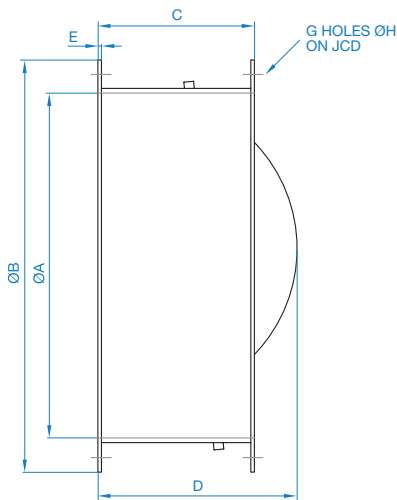
FLANGED DAMPER

Accessories



- Prevents reverse flow of air when fan is not operating
- Fixed directly to fan case flange
- Hot dip galvanised steel
- Galvanised steel butterfly type blades
- Suitable for horizontal or vertical (upward airflow) mounting

Product Code	Fan Dia. A	B	C	D	E	G	H	J	Weight kg
019-0450-STD	450	530	220	280	3.0	8	12	500	12.0
019-0500-STD	500	585	220	315	3.0	12	12	560	18.0
019-0560-STD	560	645	220	375	3.0	12	12	620	21.0
019-0630-STD	630	715	250	420	3.0	12	12	690	25.0



Dimensions are in mm.

FLANGED SILENCER

Accessories



- Ideal for bolting directly to fan flange
- Ideal for all axial fans
- Ideal for cross talk elimination
- Ideal for flexible or spiral ducting

Overview

Elta Fans are able to provide 2 types of cylindrical silencers as standard; Type DENP (without pod) and DEP (with pod), these are categorised as follows; Compact Silencers (ENP / EP), Standard Silencers (ENP / EP / Melinex).

Construction

Both types are rigidly constructed in galvanised sheet steel, with a highly absorbent sound attenuating lining between the outer casing and the inner perforated steel lining. The end faces of the silencer has a series of threaded holes for direct mounting to the fixing flange/flexible collar. The EP (podded versions) will provide an improved level of attenuation. The inner acoustic pod is constructed from perforated steel sheet with a sound absorbent infill.

Melinex lined silencers must be used to prevent grease impregnation into the acoustic media for kitchen extract applications as prescribed in DW/172 HVAC Specification For Kitchen Ventilation Systems. For Melinex insertion losses, please contact Elta Fans. Silencers can be provided with differing lengths: 1D = 1 times diameter, 2D = 2 times diameter. The Velocity through podded silencer should not exceed 15m/s.

Silencer Attenuation

To determine the sound level of a fan fitted with a silencer, the dynamic insertion loss should be subtracted from the sound power level spectrum (dBW) of the fan. This should be done for the entire octave band mid-frequency spectrum. The fan dBW ratings and silencer attenuation apply equally to in duct applications, with a silencer connected between the fan and the duct system.

Dynamic Insertion Loss

The silencer attenuation is defined as the “dynamic insertion loss”. The values quoted in the tables represent the difference between the sound power level of a fan and silencer combination (dBW) and that of the fan alone (dBW). The dynamic insertion losses shown are the attenuations recorded under ideal working conditions. The achieved attenuation will vary according to the air velocity and flow pattern in the airways. Noise regeneration can occur at higher velocities, especially in EP silencers.

Square / Rectangular Silencers

In highly noise sensitive areas, where the circular silencers cannot achieve the necessary attenuation levels, Elta can design and build optional splitter silencers for greater effect.

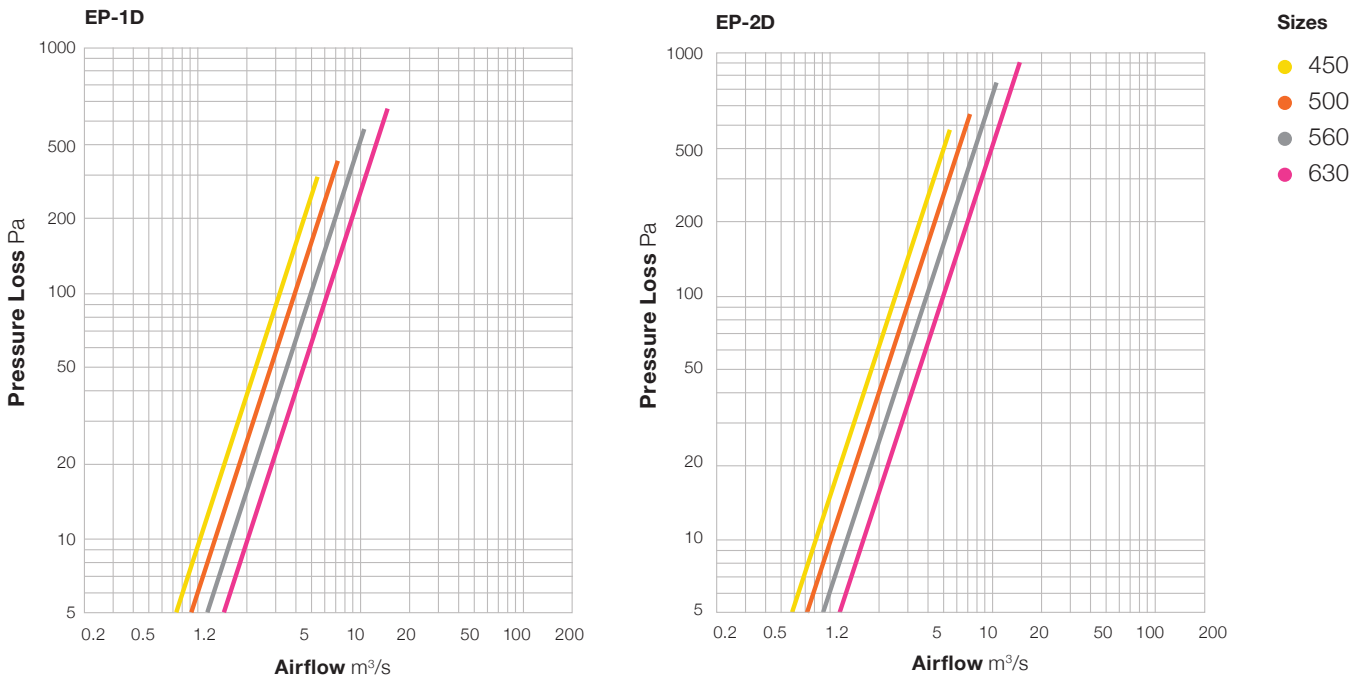
FLANGED SILENCER

Dynamic Insertion Loss & Pressure Graphs

Dynamic Insertion Loss

Fan Size	Silencer Length	Silencer Type	Insertion Loss @ Octave Band (Hz)							
			63	125	250	500	1k	2k	4k	8k
0250	1D	ENP	-2	-5	-6	-9	-13	-11	-6	-6
		EP	-4	-6	-8	-11	-14	-16	-11	-10
	2D	ENP	-4	-7	-10	-15	-19	-16	-12	-9
		EP	-7	-10	-15	-16	-15	-17	-13	-13
0315-0560	1D	ENP	-2	-5	-6	-9	-13	-11	-6	-6
		EP	-4	-6	-8	-11	-18	-19	-17	-14
	2D	ENP	-4	-8	-12	-17	-23	-17	-12	-10
		EP	-7	-10	-12	-21	-26	-26	-24	-22
0630-0800	1D	ENP	-3	-4	-9	-15	-15	-8	-7	-6
		EP	-4	-6	-8	-17	-23	-20	-18	-10
	2D	ENP	-6	-8	-13	-22	-22	-13	-12	-9
		EP	-8	-11	-16	-27	-32	-31	-29	-19
900-1000	1D	ENP	-3	-4	-9	-14	-13	-7	-7	-6
		EP	-4	-6	-11	-20	-18	-15	-13	-11
	2D	ENP	-6	-8	-13	-21	-18	-12	-11	-9
		EP	-8	-11	-18	-26	-27	-26	-22	-16

Podded Silencers Pressure Graphs



For Ø250 podded pressure losses, please contact Elta Fans.

FLANGED SILENCER

Dimensional Data

Silencer 1DEP Podded

Product Code	Fan Dia	A	B	C	D	E	Weight kg
068-0450-1DEP	450	450	604	8	M10	500	18
068-0500-1DEP	500	500	657	12	M10	560	22
068-0560-1DEP	560	560	714	12	M10	620	26
068-0630-1DEP	630	630	784	12	M10	690	31

Silencer 1DENP Unpodded

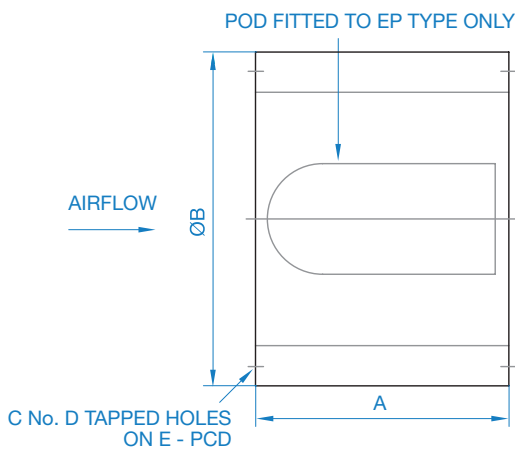
Product Code	Fan Dia	A	B	C	D	E	Weight kg
068-0450-1DENP	450	450	604	8	M10	500	15
068-0500-1DENP	500	500	657	12	M10	560	18
068-0560-1DENP	560	560	714	12	M10	620	22
068-0630-1DENP	630	630	784	12	M10	690	26

Silencer 2DEP Podded

Product Code	Fan Dia	A	B	C	D	E	Weight kg
068-0450-2DEP	450	900	604	8	M10	500	31
068-0500-2DEP	500	1000	657	12	M10	560	37
068-0560-2DEP	560	1120	714	12	M10	620	46
068-0630-2DEP	630	1260	784	12	M10	690	57

Silencer 2DENP Unpodded

Product Code	Fan Dia	A	B	C	D	E	Weight kg
068-0450-2DENP	450	900	604	8	M10	500	27
068-0500-2DENP	500	1000	657	12	M10	560	32
068-0560-2DENP	560	1120	714	12	M10	620	39
068-0630-2DENP	630	1260	784	12	M10	690	48

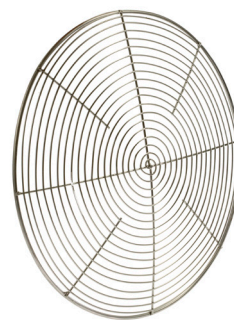


Dimensions are in mm.

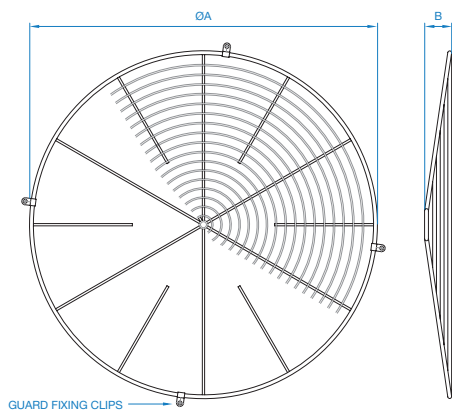
IMPELLER SIDE GUARD

Accessories

- Powder coated polyester epoxy paint finish in RAL 7040 (Window Grey)
- Fix with clips & screw provided



Product Code	Fan Dia.	A	B	Weight kg
078C-0450-C	450	470	29	1.8
078C-0500-C	500	520	32	2.2
078C-0560-C	560	585	32	2.5
078C-0630-C	630	655	40	2.6



Dimensions are in mm.

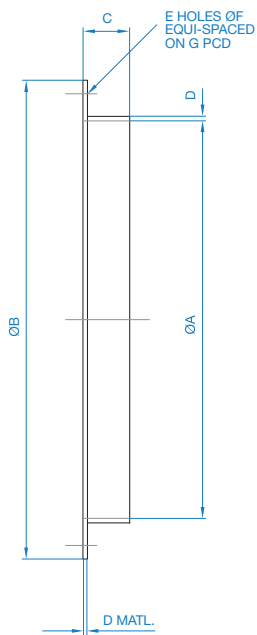
MATCHING FLANGES

Accessories

- Fits directly to fan case flange
- Provides easy connection to flexible connector or ducting
- Hot dip galvanised steel



Product Code	Fan Dia. A	B	C	D	E	F	G	Weight kg
061B-0450	450	530	40	1.5	8	12	500	2.2
061B-0500	500	585	45	2.0	12	12	560	2.6
061B-0560	560	645	45	2.0	12	12	620	3.0
061B-0630	630	715	45	2.0	12	12	690	3.5



Dimensions are in mm.

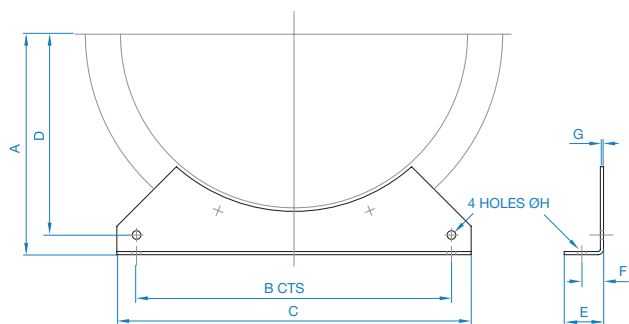
MOUNTING FEET

Accessories



- For free standing mounting of ducted fans
- Fixes directly to fan case flange
- Hot dip galvanised steel

Product Code	Fan Dia.	A	B	C	D	E	F	G	H	Weight kg
060B-0450	450	280	400	450	255	50	27.5	4	11	2.0
060B-0500	500	315	450	500	290	50	27.5	4	11	2.5
060B-0560	560	355	510	560	330	60	32	5	11	4.0
060B-0630	630	400	580	630	375	60	32	5	11	5.0



Dimensions are in mm.

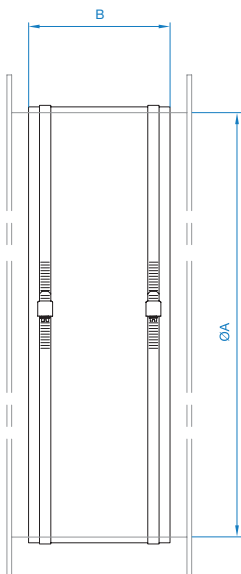
STANDARD AMBIENT FLEXIBLE CONNECTOR

Accessories

- Fit to matching flanges to provide flexible connection
- PVC coating polyester
- Supplied with plated steel band fixings
- Alternative material available to order
- Suitable for temperature between -30°C and +70°C



Product Code	Fan Dia. A	B	Weight kg
063-0450-MAN150	450	150	1.1
063-0500-MAN150	500	150	1.2
063-0560-MAN150	560	150	1.3
063-0630-MAN200	630	200	1.4



Dimensions are in mm.

TRANSFORMER CONTROLLER

Accessories

- IP40 enclosure
- Five speed stepped control
- Illuminated on/off switch (single phase units only)
- Fitted Motor Protection type D MCB (single phase units only)
- Suitable for operating temperatures up to 40°C
- Ideal for environments where noise is a primary consideration as these controls do not create magnetic hum associated with some step-less forms of speed control



Features & Benefits

A range of transformer voltage controllers used to provide five speed step control of single phase or three phase motors where the peak current of the motor does not exceed the rating of the controller. Speed control is via selector switch. Single phase units are complete with illuminated on/off switch.

Single Phase 220V to 240V / 50Hz

Product Code	Max Peak Current Amps	Weight kg	IP Rating
149-TC110	10	7	IP40

Building Services

Tel **+44 (0) 1384 275800**
Fax **+44 (0) 1384 275810**
Email **info@eltafans.co.uk**

46 Third Avenue, Pensnett Trading Estate, Kingswinford,
West Midlands, DY6 7US United Kingdom

Applied Technology & Building Services Export

Tel **+44 (0) 1489 566500**
Fax **+44 (0) 1489 566555**
Email **at@eltafans.co.uk / export@eltafans.co.uk**

17 Barnes Wallis Road, Segensworth East Industrial Estate,
Fareham, Hampshire, PO15 5ST United Kingdom

eltafans.com

TF-03-2018 Issue A



BS EN ISO 9001:2015 FM 556465

