

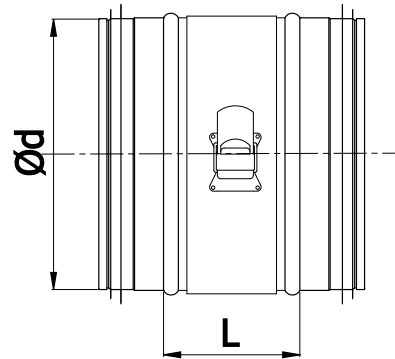
Duct Filter UFI



Description

The UFI duct filter is designed for air filtration in round ven-tilation ducts. It is equipped with a filter pack of EU4 class protected with a galvanized wire net at both sides. The filter is housed in a round galvanized steel sheet duct equipped with gaskets. A unique construction of the UFI filter enables easy replace-ment of the filter element. The UFI duct filter is designed for assembling between two round ventilation ducts of standard diameters (100 – 315 mm)..

Dimensions



type	Ød [mm]	L [mm]
100	100	70
125	125	70
160	160	70
200	200	70
250	250	70
315	315	70

Technical Data

