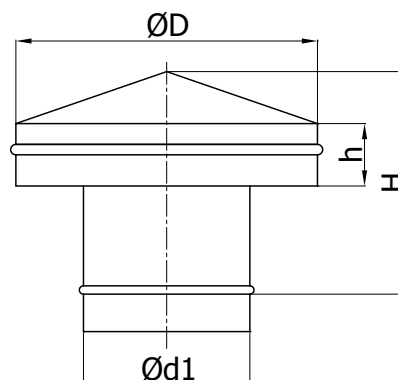




Dimensions



Description

The VHK cap can be used for air intake and ejection in both industrial and residential buildings.

Typically, VHK caps are made of galvanised sheet metal, but upon request they can also be made of acid-proof steel, aluminium or steel coated with plastics in various colours. The inlet is protected with steel mesh. Typically, the cap is provided with a coupling, but upon request it can also be supplied with a mounting flange.

Example identification

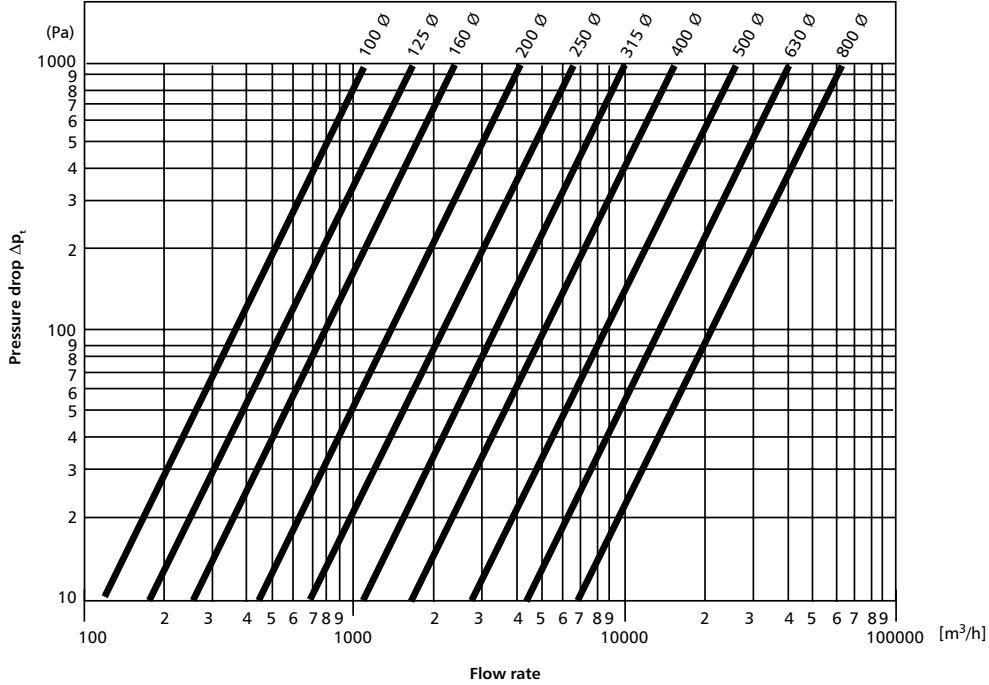
Product code: **VHK - aaa**

type _____
 Ød₁ _____

Ød ₁ [mm]	ØD [mm]	h [mm]	H [mm]	weight [kg]
80	180	60	133	0,7
100	180	60	133	0,7
125	224	60	139	0,9
140	290	60	148	1,0
150	290	60	148	1,1
160	290	60	148	1,1
180	360	100	197	1,7
200	360	100	197	1,9
224	405	100	208	2,4
250	450	100	228	2,6
280	570	100	244	3,6
300	570	100	244	3,8
315	570	100	244	4,1
355	720	150	337	6,0
400	720	150	337	6,2
450	810	150	349	7,2
500	900	200	411	11,2
560	1080	200	435	12,0
600	1080	200	435	12,2
630	1135	200	442	12,8
710	1280	200	482	14,5
800	1440	200	503	18,0

Technical Data

Exhaust air ejector



Air intake

