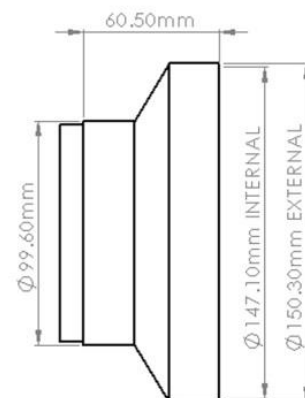
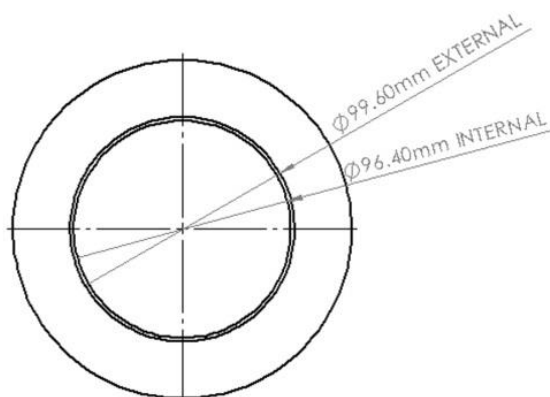


PRODUCT DATA SHEET

VKC437

REDUCER 150MM TO 100MM



SPECIFICATION DETAILS

The VKC437 150mm - 100mm diameter Reducer is manufactured from (white) High Impact Polystyrene, which has a minimum free area of 16,994mm² on the 150mm diameter side reducing to a free area of 7,298mm² on the 100mm side. The 150mm side fits over the System 150 fittings and the 100mm side has a male spigot for connection inside of the System100 duct.

VKC437 is manufactured in compliance with Domestic Plastic Ductwork Specification DW/154 and meets UL94HB flammability standard.

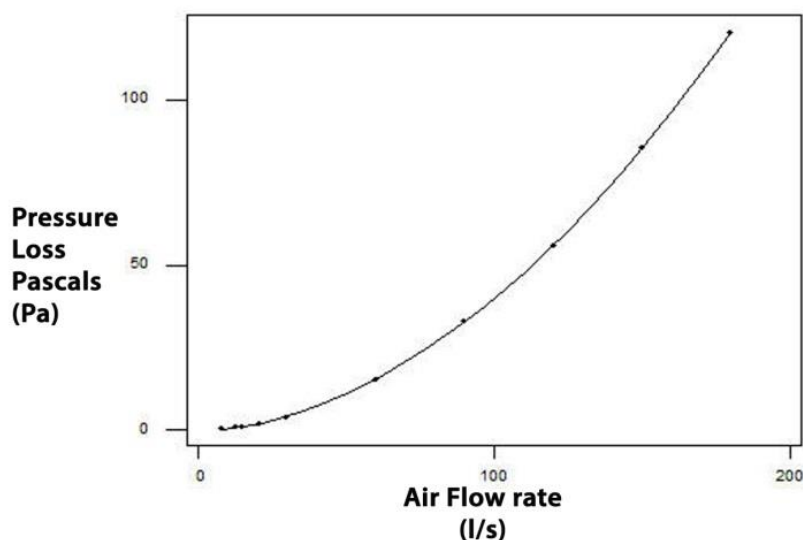
VKC437 has been designed for use with Verplas Round System 150 & 100.

Manufacturer:	Verplas Ltd
Part Number:	VKC437
Size:	150 -100mm Diameter
For use with:	Verplas System 150 & Verplas system 100
Box quantity:	30
Individual Weight:	60g
Colour:	White

MAX/MIN OPERATING TEMPERATURES

+ 60°C to - 15°C

PERFORMANCE CURVE



AIRFLOW	RESISTANCE
8 l/s	0.40 pa
13 l/s	0.80 pa
21 l/s	2.00 pa
30 l/s	3.85 pa
60 l/s	15.40 pa
120 l/s	56.00 pa

Associated Ancillaries

