

## Heat Resistant In-line Axial Fans

### VO & VOK series



The VO series in-line axial fans have an equally sectioned cylinder shape, which makes it suitable to be fitted in air ducts or vent openings, while the VOK series have a rim on the outer side of the cylinder making it ideal for connecting air ducts.

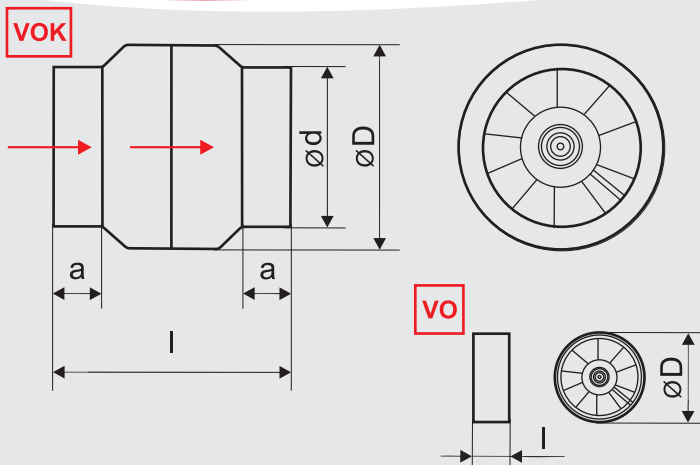
The VO and VOK Series high temperature fans are designed to resist temperature of up to 150°C. They can be fitted in hot air distribution ductwork system connected to fireplaces and other heating installations.

As an additional feature the fan can be equipped with a thermostat which automatically turns on the unit when the temperature reaches 50°C and turns it off when it drops to 35°C.

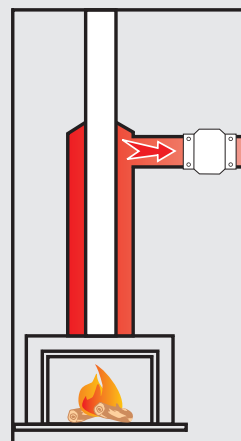
The body, the turbine, and the back shutter of the VO and VOK series heat resistant fans are manufactured from aluminum alloy providing efficient cooling and fire safety, while the noiseless and highly efficient electric motors are sealed for life and totally maintenance free.

The fan is equipped with a special shutter which protects it from overheating in case of a sudden power cut. The embedded heat resistant Long Life double capsulated ball bearings guarantee smooth operation for over 30 000 hours of continuous usage.

As an additional accessories we offer decorative grilles made from Glass-Filled Polyamide able to resist temperatures of 200°C.



Scheme No1



Scheme No2

Type	a	l	Ød	ØD
VO 120	-	40	-	120
VOK 120/100	28	130	100	120
VO 135	-	60	-	135
VOK 135/120	27	145	120	135
VO 150	-	55	-	150
VOK 150/120	28	150	120	150



Technical characteristics					
	Hz / V	min <sup>-1</sup>	m <sup>3</sup> / h	Pa	W
VO 120 VOK 120/100	50 / 220	2650	150	75	18
VO 135 VOK 135/120	50 / 220	2650	205	85	42
VO 150 VOK 150/120	50 / 220	2600	240	110	46

All VO and VOK series fans can be produced with length "l" to suit most specific requirements of our customers. The length "l" for the VO series indicated in the tables below is the minimum length possible to achieve.