

# Installation and maintenance instructions

---

GB

F

D

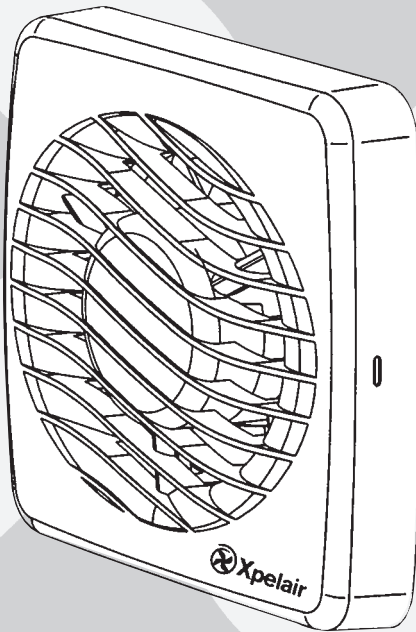
VX100	Standard
VX100P	Pull Cord
VX100T	Timer

---

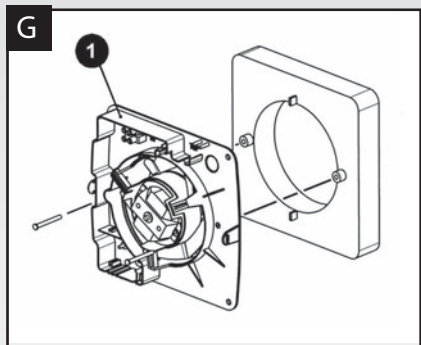
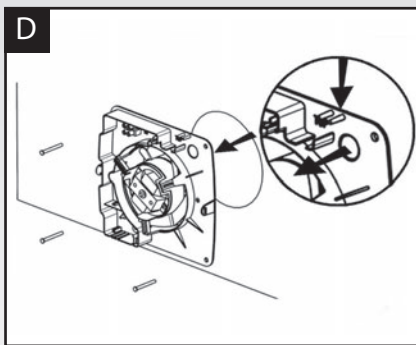
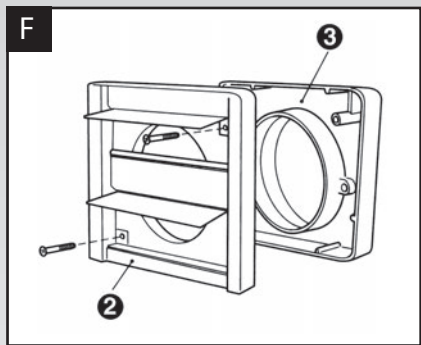
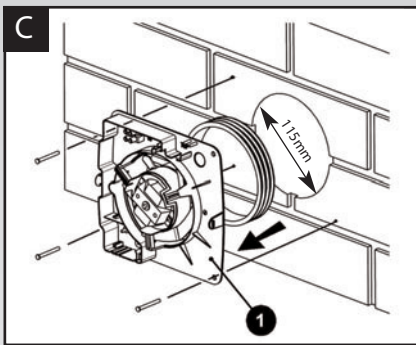
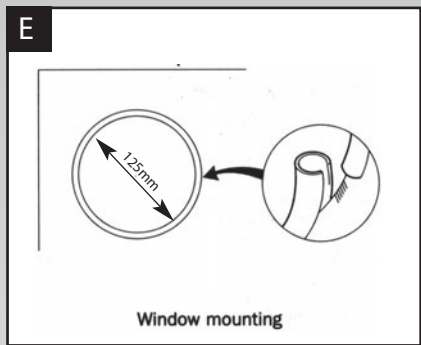
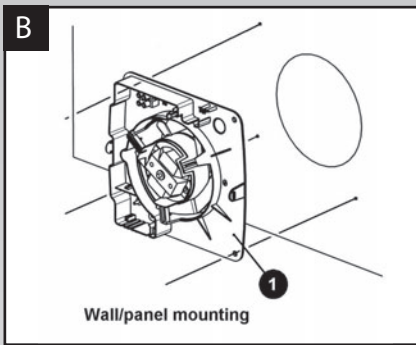
## Toilet/Bathroom 100mm/4" Fan Range

---

Retain for future reference

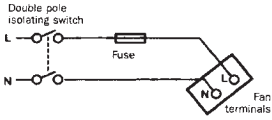


 **Xpelair**<sup>®</sup>

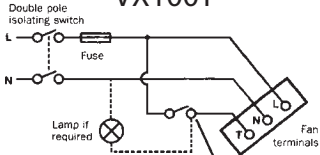


**H**

## VX100 & VX100P



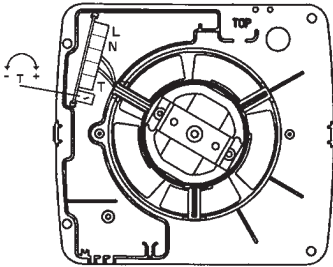
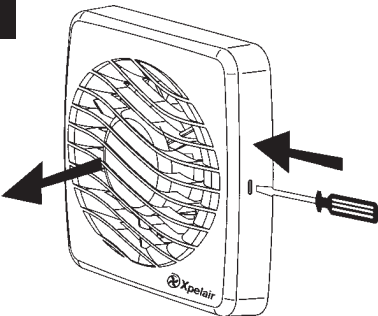
## VX100T



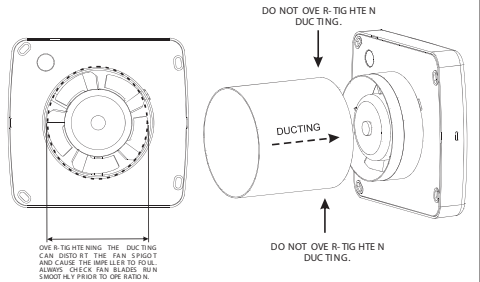
**On/off switch**  
(recommended to incorporate an indicator if lamp not fitted)

**I**

## VX100T

**L**

**DO NOT OVERTIGHTEN DUCTING ONTO THE SPIGOT - THIS CAN RESTRICT THE MOVEMENT OF THE FAN BLADES.**



## Xpelair Toilet/Bathroom Fans VX100, VX100P, VX100T, installation & operating instructions

Please leave this leaflet with the fan for the benefit of the user

### Installing the fan

These appliances are intended for connection to fixed wiring. Check that the electrical rating shown on each fan matches the mains supply.

**THESE APPLIANCES ARE DOUBLE INSULATED AND DO NOT REQUIRE AN EARTH CONNECTION.**

All installations must be supervised by a qualified electrician. Installations and wiring must conform to current IEE Regulations (UK), local or appropriate regulations (other countries).

This appliance is not intended for use by persons (including children and the infirm) with reduced physical, sensory or mental capabilities, or lack of experience and knowledge, unless they have been given supervision or instruction concerning use of the appliance by a person responsible for their safety.

Children should be supervised to ensure that they do not play with the appliance.

If you have any queries before installing these products or after they have been installed, call the Xpelair Technical Hotline **+44 (0) 344 879 3588**. Our engineers are there to help you during normal office hours (UK only)

Customers outside the UK should contact your local Xpelair distributor.

### Description

Xpelair fans have the following features:

- Universal mounting kit allows window/ wall panel/ ventilation shaft/ ceiling mounting options.
- Single speed extraction

#### VX100

- Operate the fan using an on/off switch (not supplied).

#### VX100P

- Operate the fan using integral pull cord.

#### VX100T

- Built-in timer automatically operates fan for a preset delay of up to 30 minutes.

### What the installer will need

- A means for disconnection in all poles must be incorporated in the fixed wiring in accordance with the wiring rules.
- If metal switch boxes are used, earthing regulations must be followed.
- Suitably rated 2-core cable (VX100, VX100P).
- Suitably rated 3-core cable (VX100T).
- 3mm electrician's screwdriver and no.1 or 2 Pozdriv screwdrivers.
- A wall or ceiling on/off switch with built-in indicator light (VX100, VX100T).
- To prevent a possible hazardous situation from water ingress, a condensation trap (Xpelair no. XCT100) must be fitted as close as possible to the fan in all situations where any section of the duct work is positioned higher than the fan itself.

#### If wall mounting the fan, you will also need

- Masonry drill, hammer & chisel (or core drill equipment if available).
- Mortar to make good the hole if required.

#### If window mounting the fan

- You will need a window pane between 3mm and 6mm thick (preferably 4mm).
- Do not install in glass 3mm thick if the window pane area is more than 0.2sq.m.
- If installing in sealed double glazing, a specially manufactured unit should be obtained from the glazing manufacturer. You will also require a special kit, Xpelair Cat. ref. DXDG.
- If installing in sash windows, you should mount the fan in the upper window. Secure the upper sash in the closed position and fit stops just below the level of the fan, to prevent damaging it when the sash is raised.
- If installing in a panel which is between 9mm and 46mm thick, you will need a special kit, Xpelair Cat. ref. DXDG. Do not install these fans in a panel which is more than 46mm thick.

#### If ceiling mounting the fan

You will need to use the appropriate ancillaries for termination. These items are available from Xpelair.

1. WT10 - Termination ducting kit.

2. CFWG100 - Soffit board termination grille (white or brown).
3. FD100 / 3 and FD100 / 6 - Flexible ducting.

#### Where to locate the fan

- Locate it as high as possible.
- At least 110mm from the edges of the mounting surface to the centre of the hole.
- As far away as possible from and opposite to the main source of air replacement to ensure airflow across the room (e.g. opposite the internal doorway).
- Near the source of steam or odours.
- Not where ambient temperatures are likely to exceed 50°C.
- If installed in a kitchen fans must not be mounted immediately above a cooker hob, or eye level grill.
- If installing in a room containing a fuel burning device which has a non-balanced flue, it is the installer's responsibility to ensure that there is enough replacement air to prevent fumes being drawn down the flue when the fan is operating up to maximum extract. Refer to Building Regulations for specific requirements.
- Exhaust air must not be discharged into a flue used for exhausting of fumes from appliances supplied with energy other than electric. Requirements of all authorities concerned must be observed for exhaust air discharge and intake flow rates.
- When intended for use in possible chemical corrosive atmospheres, consult our Technical Service Department. (For overseas markets contact your local Xpelair distributor).

#### Installing the isolating switch and cables

1. Check that the electrical rating shown inside the back plate matches your mains supply.
2. Check there are no buried pipes or cables e.g. electricity, gas, water behind the switch location (in the wall or above the ceiling). If in doubt, seek professional advice.
3. Isolate the mains supply.
4. Lay in the cable from the isolating switch to the fan location via the on/off switch (if required).
5. Lay in the cable from the isolating switch to the point of connection to the mains supply.
6. Install the isolating switch and on/off switch (if required).
7. Make all connections within the isolating switch and the on/off switch (if required).

Note: on/off switch must be situated so that it cannot be touched by persons making use of the bath or shower.

**WARNING : DO NOT MAKE ANY CONNECTIONS TO THE ELECTRICAL SUPPLY AT THIS STAGE.**

For Australia only (VX100 & VX100P)

Connection to the supply can be made by a flexible 2-core cable complete with 3 pin plug for insertion into an approved 10 amp GPO or directly wired through an approved 10A wall-mounted surface switch with at least 3mm clearance between contacts.

For Australia only (VX100T)

These models are permanently connected to the supply and operation is controlled by a remote switch. They should be directly wired to the supply through an approved 10amp wall mounted surface switch with at least 3mm clearance between contacts.

#### Preparing the hole

If working above ground floor level, appropriate safety precautions must be observed.

**WARNING: EYE PROTECTION MUST BE WORN DURING ALL DRILLING AND CHISELLING OPERATIONS.**

If installing in a wall

1. Check there are no buried pipes or cables in the wall or obstructions on the outside e.g. electricity, gas, water. If in doubt, seek professional advice.
2. Mark on the wall the centre of the duct hole.
3. Use this centre to mark a circle to suit the wall duct (115mm diameter).

If core drill equipment is available:

4a. Use as directed by core drill manufacturer.

If core drill equipment is not available:

4b. Drill a centre hole right through the wall.

5. Cut the hole. Do not cut right through the wall. (The recommended method is to drill a series of holes, close together, around the edge of the cutting line and remove the brick between the holes with a chisel).
6. Go outside and cut a hole in the outer wall, repeating the process described above.
7. Cut ducting to the correct length if required. The wall tube supplied is telescopic and can extend to 300mm maximum.
8. Fit the ducting. Ensure that the duct slopes down away from the fan to allow drainage of any incoming rain water to the outside.
9. Make good the hole. Allow the mortar to set before continuing the fan installation.

If installing in a window or panel

1. Cut a hole, 125mm in diameter or if installing in a window, obtain a ready cut pane.
2. The centre of the hole should be at least 110mm away from the edge of the panel or pane of glass.

## Xpelair Toilet/Bathroom Fans VX100, VX100P & VX100T

Please leave this leaflet with the fan for the benefit of the user

### If installing in a ventilation shaft

1. Check there are no buried pipes or cables in the ventilation shaft.  
If in doubt, seek professional advice.
2. Cut a hole 110mm in diameter, in the side of the shaft.
3. If the shaft has cavity wall, use the wall tube to bridge the cavity.
4. Fit ducting and condensation trap if necessary, positioning condensation trap as near to the fan as possible.

### If installing in a ceiling

1. Check there are no buried pipes or cables in the ceiling/joists etc.  
If in doubt, seek professional advice.
2. Cut a hole 115mm diameter.

### Preparing the fan for installation

Remove the front cover by pressing the release catches located on the sides of the unit with a 3mm screwdriver, whilst pulling the front cover forward L

If installing in a window or panel less than 16mm thick, the fan spigot needs to be cut back to the visible step 20mm away from the rear of the back plate.

1. Remove the impeller by pulling it forward.
2. Cut the spigot back to the step using a junior hacksaw, ensure that the motor shaft is not marked by the hacksaw.
3. Remove any burrs from the edge of the spigot.
4. Refit the impeller by locating it onto the shaft and pushing it on fully.

### Mount the fan in the hole

If working above ground floor level, appropriate safety precautions must be observed.

### If installing in a wall, ceiling or vent

Mark the position of the back plate B

1. Hold the backplate so that the terminal block faces you in the top left hand corner and the lip points towards the hole.
2. Carefully insert the lip into the wall duct/ceiling or vent shaft.
3. Adjust the position of the back plate until it is level.
4. Mark on the wall/ceiling or vent shaft the positions of the three fixing holes in the back plate.
5. Remove the back plate from the ducting.
6. Drill screw holes in these positions if necessary, and fit wall plugs if necessary.

Mount the back plate C

1. Push the ribbed gasket (RG100) onto the lip of the back plate 1
2. If installing in a ceiling or vent, push the larger diameter piece of the telescopic wall tube onto the ribbed gasket. Cut the tube to the required length first, if necessary.
3. If wiring the fan from behind, remove

knockout. Feed the mains cable through the cable entry hole in the back plate to the terminals D.

4. If wiring from above, leave the cable free to be fitted into labyrinth.
5. Insert the lip of the back plate into the wall duct/ceiling or vent shaft as before.
6. Fasten the back plate to the wall/ceiling or vent shaft using appropriate fasteners. If using screws, do not overtighten the screws.

Mount the back draught shutter

1. Peel the backing from the foam strip supplied and attach it around the outside of the lip on the back draught shutter.
2. Go outside. Holding open the top and bottom vanes, insert the lip into the wall duct.
3. Making sure that the back draught shutter is level, mark the positions of the two fixing holes in the top right hand and bottom left hand corners.
4. Remove the back draught from the wall duct.
5. Drill screw holes in these positions, and fit the remaining wall plugs.
6. Holding open the top and bottom vanes, refit the back draught shutter and fasten it to the wall using the pointed and self-tapping screws. Do not over tighten screws.
7. Make sure that the vanes open and shut freely.

### If installing in window or panel

Sealing the hole E

1. If installing in a window or panel no more than 9mm thick, fit the white rubber gasket around the edge of the hole. If installing in a panel or sealed double glazing more than 9mm thick, a DXDG double glazing kit is required. Follow the instructions supplied with the special kit.

Attach the back draught shutter to the spacer F

1. Holding the top and bottom vanes, insert the back draught shutter 2 into the spacer 3 so that the fixing holes in the top right and bottom left hand corners match those on the spacer.
2. Insert two of the flat ended self-tapping screws provided and fasten the back draught shutter to the spacer.

Mount the fan in the window G

1. Someone else must hold the back draught shutter and spacer in position outside, with the spacer against the glass.
2. Make sure that the two raised fixing holes in the spacer are horizontal and are positioned within the hole.
3. From inside, hold the back plate so that the terminal block faces you in the top left hand corner and the lip points towards that hole.

4. Align the holes in the back plate with those in the spacer.
5. Insert two of the flat ended self-tapping screws provided in the fixing holes, and fasten the back plate to the spacer. Do not overtighten the screws.

#### Wire the electrical connections

- Make sure the mains supply is isolated,
1. Wire the fan as shown in H check the fan model to diagram, feeding the cable between the two raised pegs, if wiring from above, and through labyrinth to terminal block.
  2. Switch off the mains electrical supply and remove fuses
  3. Connect the cable from the isolating switch to the electrical supply wiring.
    - For fixed wiring circuits the protective fuse for the appliance must not exceed 5A.

#### VX100T only I

- To adjust the over-run period turn the control (T) clockwise to increase and anti-clockwise to decrease.

#### All fans

- If wiring from above cut out the cable entry slot marked on top of the front cover.
- Fit the front cover by aligning it square to the duct and pushing it onto the duct until the release catches snap into the slots on the front cover.

#### Using the fan

##### VX100 only

- Operate the fan using the on/off switch. Repeat to switch off.

##### VX100P only

- Operate the fan by pulling and releasing the cord. Repeat to switch off.

##### VX100T only

- Operate the fan using the on/off switch. When the switch is turned off, the fan continues to operate for the adjustable time delay.

#### Cleaning (recommended once a month)

A QUALIFIED ELECTRICIAN MUST CARRY OUT ALL CLEANING.

1. Before cleaning, isolate the fan completely from the mains supply.
2. Remove the front cover by pressing the release catches located on the sides at the unit with a 3mm screwdriver, whilst pulling the front cover forward L
3. To clean the front cover, either wipe it with a damp, lint free cloth or wash it in warm soapy water. Thoroughly dry the front cover and refit.
4. Do not immerse the fan in water or other liquids to clean any other parts of the fan.
5. Never use strong solvents to clean the fan.
6. Apart from cleaning, no other maintenance is required.



## Ventilateurs Xpelair pour W.C./Salle de bains VX100, VX100P, VX100T Notice d'installation et d'entretien

Prière de conserver cette notice avec le ventilateur, pour que l'utilisateur puisse s'y référer ultérieurement.

### Installation du ventilateur

Cet appareil doit être raccordé à des câbles électriques fixes. Vérifier que la tension nominale indiquée sur l'appareil correspond à celle de l'alimentation secteur.

**CES APPAREILS AYANT UNE DOUBLE ISOLATION, IL EST INUTILE DE LES METTRE A LA MASSE**

Toutes les installations doivent être effectuées sous la supervision d'un Électricien qualifié. L'installation et le câblage électrique doivent être conformes aux règlements IEE en vigueur (G.B.), aux règlements municipaux ou aux règlements applicables (autres pays).

Cet appareil n'est pas censé être utilisé par des personnes (enfants ou personnes handicapées) ayant des aptitudes physiques, sensorielles ou intellectuelles réduites, ou ne possédant pas l'expérience et les connaissances nécessaires, sans surveillance ou sans avoir reçu d'instructions concernant son utilisation par une personne responsable de leur sécurité.

Il est impératif de surveiller les jeunes enfants pour veiller à ce qu'ils ne jouent pas avec l'appareil.

Pour toutes questions éventuelles avant ou après l'installation de ce produit, prière d'appeler la ligne Assistance Technique Xpelair au n° **+44 (0) 344 879 3588**.

Pour les clients en dehors de la G.B., prière de contacter le revendeur Xpelair de votre région.

### Description

Les ventilateurs Xpelair présentent les caractéristiques suivantes :

- Grâce au kit de montage universel, il est possible d'obtenir un montage sur vitre/mur/panneau/conduit de ventilation/plafond.
- Extraction à une vitesse.

#### VX100

- Fonctionnement du ventilateur à l'aide de l'interrupteur Marche/Arrêt (non fourni).

#### VX100P

- Fonctionnement du ventilateur à l'aide de l'interrupteur à cordon incorporé.

#### VX100T

- Le temporisateur incorporé fait automatiquement fonctionner le ventilateur pendant un délai prédéterminé (jusqu'à 30 minutes).

### Outils nécessaires pour l'installateur

- Il est impératif d'incorporer un dispositif de déconnexion sur tous les pôles du câblage fixe, conformément aux règles des installations électriques.
- Si on utilise des boîtiers métalliques pour interrupteurs, il est impératif de respecter les règlements concernant la mise à la masse.
- Câble à 2 conducteurs convenant à la tension nominale (VX100, VX100P).
- Câble à 3 conducteurs convenant à la tension nominale (VX100T).
- Tournevis d'électricien à lame de 3 mm et tournevis Pozidriv n° 1 et 2.
- Interrupteur Marche/Arrêt pour montage sur mur ou plafond avec voyant incorporé (VX100, VX100T).
- Pour éviter tout danger éventuel dû à l'infiltration d'eau, il faut installer un piège de condensation (Xpelair n° XCT100) aussi près que possible du ventilateur, dans toutes les installations où une partie des conduits est placée à une position supérieure au ventilateur.

Pour monter le ventilateur dans un mur, il faut également prévoir

- Foret pour béton, marteau et burin (ou équipement de perçage si disponible).
- Mortier (pour colmater la zone autour du trou).

Pour monter le ventilateur dans une vitre

- Vitre de 3 à 6 mm d'épaisseur (de préférence, 4 mm)



- Ne pas installer le ventilateur dans une vitre de 3 mm d'épaisseur si la superficie de la vitre est supérieure à 0,2 m<sup>2</sup>.
- Pour installer le ventilateur dans un double vitrage hermétique, il faut se procurer une unité fabriquée spécialement auprès du fabricant du vitrage. Il faut aussi se procurer le kit spécial Xpelair, réf. DXDG.
- Pour les vitres à guillotine, le ventilateur doit être installé dans la vitre supérieure. Fixer la partie supérieure de la fenêtre en position fermée, puis fixer des butées juste au-dessous du niveau du ventilateur afin d'éviter de l'endommager si la partie inférieure de la fenêtre à guillotine est remontée.
- Pour installer le ventilateur dans un panneau de 9 à 46 mm d'épaisseur, il faut se procurer un kit spécial Xpelair réf. DXDG. Ne pas installer ces ventilateurs dans des panneaux ayant une épaisseur supérieure à 46 mm.

#### Pour monter le ventilateur au plafond

Il faut utiliser les accessoires appropriés pour la finition de l'installation. Ces accessoires sont disponibles auprès de Xpelair.

1. WT10 : kit de conduits de finition.
2. CFWG100 : Grille de finition de plafond (blanc ou marron).
3. FD100 / 3 et FD100 / 6 : conduits flexibles.

#### Choix de l'emplacement du ventilateur

- Le placer aussi haut que possible.
- A une distance d'au moins 110 mm entre les bords de la surface de montage et le centre du trou.
- Aussi loin que possible et en face de la source principale du flux d'air afin d'obtenir la circulation de l'air dans la pièce (ex. en face d'une porte interne).
- Près de la source de vapeur ou d'odeurs.
- Ne pas l'installer dans un local où les températures ambiantes sont susceptibles d'être supérieures à 50° C.
- Si le ventilateur est installé dans une cuisine, il ne faut pas le placer juste au-dessus de la plaque de cuisson ou d'un gril à hauteur des yeux.
- Pour l'installer dans une pièce contenant un appareil de chauffage au mazout disposant d'un conduit d'évacuation non équilibré, il incombe aux installateurs de vérifier qu'il existe une circulation d'air suffisante pour empêcher l'aspiration des fumées dans le conduit lorsque le ventilateur fonctionne à son débit d'extraction maximum.  
Pour les conditions spécifiques, se référer aux règlements sur la construction.
- Il ne faut pas décharger l'air de refoulement dans un conduit d'évacuation prévu pour expulser les fumées provenant d'appareils qui ne sont pas alimentés à l'électricité. Il est impératif de respecter les conditions concernant les débits de flux d'admission et de décharge requises par

tous les organismes compétents de réglementation.

- Si le ventilateur doit fonctionner éventuellement dans une atmosphère chimique corrosive, consulter nos services techniques. (Pour les marchés de l'étranger, prière de contacter le distributeur Xpelair local).

#### Installation du bouton-sectionneur et des câbles

1. Vérifier que la tension nominale indiquée sur la plaque correspond à la tension secteur.
2. Vérifier qu'il n'y a pas de tuyaux ou de câbles dissimulés sous la surface (ex. électricité, gaz, eau) derrière l'emplacement du bouton (dans le mur ou au-dessus du plafond). En cas de doute, consulter un professionnel qui vous conseillera.
3. Isoler l'alimentation électrique secteur.
4. Poser le câble entre le bouton-sectionneur et l'emplacement du ventilateur en passant par l'interrupteur Marche/Arrêt (si besoin est)
5. Poser le câble entre le bouton-sectionneur et le point de raccordement à l'alimentation secteur.
6. Installer le bouton-sectionneur et l'interrupteur Marche/Arrêt (si besoin est).
7. Faire tous les raccordements dans le bouton-sectionneur et l'interrupteur Marche/Arrêt (si besoin est).

Remarque : Il faut placer l'interrupteur Marche/Arrêt de manière à être hors de portée des personnes utilisant la baignoire ou la douche.

**AVERTISSEMENT : NE PAS FAIRE DE RACCORDEMENTS A L'ALIMENTATION ELECTRIQUE POUR L'INSTANT.**

Pour l'Australie seulement (VX100, VX100P)

Le raccordement à l'alimentation électrique peut se faire à l'aide d'un câble flexible à 2 conducteurs muni d'une prise à 3 broches afin de la brancher dans un bouton mural GPO 10 A ou de la relier directement à l'alimentation électrique par un bouton mural agréé de 10 A avec un espace d'au moins 3 mm entre les contacts.

Pour l'Australie seulement (DX100T)

Ces modèles sont reliés en permanence à l'alimentation secteur. Leur commande doit se faire par interrupteur à distance. Il faut les relier directement à l'alimentation électrique par un bouton mural agréé de 10 A avec un espace d'au moins 3 mm entre les contacts.

## Ventilateurs Xpelair pour W.C./Salle de bains VX100, VX100P, VX100T Notice d'installation et d'entretien

Prière de conserver  
cette notice avec le  
ventilateur, pour que  
l'utilisateur puisse s'y  
référer ultérieurement.

### Préparation du trou

Pour les travaux au-dessus du niveau du sol, il faut toujours respecter les consignes de sécurité appropriées.

**AVERTISSEMENT : IL FAUT TOUJOURS PORTER DES LUNETTES DE PROTECTION PENDANT TOUTES LES OPERATIONS A LA PERCEUSE ET AU BURIN.**

#### Pour un montage mural

- Vérifier qu'il n'y a pas de tuyaux ou de câbles dissimulés dans le mur, ni d'obstructions à l'extérieur (ex. électricité, gaz, eau). En cas de doute, consulter un professionnel qui vous conseillera.
- Faire un repère sur le mur correspondant au centre du trou du conduit.
- Utiliser ce repère pour tracer un cercle correspondant à la gaine murale (diamètre de 115 mm).

Si vous disposez d'une perceuse électrique :

- Utiliser conformément aux instructions du fabricant de la perceuse.

Si vous ne disposez pas d'une perceuse électrique :

- Perçer le centre du trou dans le mur.
- Découper le trou. Ne pas traverser le mur. (La méthode de perçage recommandée consiste à percer plusieurs trous, proches les uns des autres, près de la ligne de découpe, puis utiliser un burin pour retirer la brique qui se trouve entre les trous).
- Passer à l'extérieur et découper un trou dans le mur extérieur en commençant l'opération indiquée ci-dessus.
- Couper la gaine à la longueur correcte, le cas échéant. Le tube mural fourni est escamotable et peut se déployer sur 300 mm maximum.
- Poser la gaine. Vérifier que la gaine est inclinée vers le bas à partir du ventilateur afin que l'eau de pluie puisse s'écouler à l'extérieur.
- Colmater la zone autour du trou. Attendre que le mortier durcisse avant de procéder à l'installation du ventilateur.

#### Pour le montage dans une vitre ou dans un panneau

- Découper un trou de 125 mm de diamètre. Pour le montage dans une fenêtre, se procurer une vitre déjà découpée.
- Le centre du trou doit se trouver à au moins 110 mm du bord du panneau ou du bord de la vitre.

#### Pour le montage dans un puits de ventilation

- Vérifier qu'il n'y a pas de tuyaux ou de câbles dissimulés dans le puits de ventilation. En cas de doute, consulter un professionnel qui vous conseillera.
- Découper un trou de 110 mm de diamètre

dans la paroi du puits.

- Si le puits comporte une paroi à cavité, utiliser le tube mural pour traverser la cavité.
- Monter la gaine et le piège de condensation, le cas échéant, en le plaçant aussi près que possible du ventilateur.

#### Pour le montage dans le plafond

- Vérifier qu'il n'y a pas de tuyaux ou de câbles dissimulés dans le plafond/les solives, etc. En cas de doute, consulter un professionnel qui vous conseillera.
- Découper un trou de 115 mm de diamètre.

#### Préparation du ventilateur pour le montage

Retirer le couvercle avant. Pour cela, utiliser un tournevis de 3 mm pour appuyer sur les agrafes situées sur les côtés de l'appareil, tout en tirant le couvercle vers l'avant.

En cas d'installation sur une fenêtre ou un panneau d'une épaisseur de moins de 16 mm, il est nécessaire de recouper le tube de traversée du ventilateur jusqu'à l'épaulement visible à 20 mm de l'arrière de la plaque de support.

- Déposer l'hélice en la tirant vers l'avant.
- Recouper le tube de traversée jusqu'à l'épaulement à l'aide d'une petite scie à métaux, en veillant à ne pas marquer l'arbre moteur avec la scie.
- Ébavurer le bord du tube de traversée.
- Remonter l'hélice en la positionnant sur l'arbre et en l'enfonçant dessus.

#### Montage du ventilateur dans le trou

Si le travail doit être effectué au-dessus du sol, respecter les précautions de sécurité appropriées.

#### Montage dans un mur, un plafond ou un puits de ventilation

Faire un repère de la position sur la plaque de support.

- Tenir la plaque de support de manière à ce que le bloc de bornes soit orienté vers vous, dans le coin en haut et à gauche, et que la lèvres soit dirigée vers le trou.
- Présenter la lèvres avec précaution dans la gaine murale, le plafond ou le puits de ventilation.
- Ajuster la position de la plaque de support jusqu'à ce qu'elle soit à niveau.
- Marquer les positions des trois trous de fixation dans la plaque de support dans le mur/plafond/puits de ventilation.
- Retirer la plaque de support de la gaine.
- Perçer les trous aux positions prévues, le cas échéant, et poser des chevilles, si besoin est.

#### Montage de plaque de support

- Plaquer le joint à nervures (RG100) sur la lèvres de la plaque de support.
- Pour le montage dans le plafond ou dans un puits de ventilation, pousser le morceau du tube mural escamotable de gros diamètre sur le joint à nervures. Couper tout d'abord le

tube à la longueur requise, si besoin est.

3. Si le raccordement électrique du ventilateur se fait de l'arrière, retirer l'obturateur. Faire passer le câble secteur par le trou prévu dans la plaque de support et l'amener aux bornes D.
4. Si le raccordement électrique se fait du dessus, ne pas fixer le câble afin de pouvoir le monter dans le labyrinthe.
5. Introduire la lèvre de la plaque de support dans la gaine du mur/plafond ou dans le puits de ventilation, comme indiqué précédemment.
6. Utiliser les fixations appropriées pour fixer la plaque de support sur le mur/plafond ou le puits de ventilation. Si on utilise des vis, ne pas trop les serrer.

#### Montage du volet anti-refouleur

1. Détacher la bande adhésive de la bande en mousse fournie, puis le fixer sur l'extérieur de la lèvre du volet anti-refouleur.
2. Passer à l'extérieur. Introduire la lèvre dans la gaine murale tout en maintenant ouvertes les vannes du haut et du bas.
3. Vérifier que le volet anti-refouleur est à l'horizontale, puis marquer les positions des deux trous de fixation dans le coin en haut à droite et dans le coin en bas à gauche.
4. Retirer le conduit de refoulement de la gaine murale.
5. Percer des trous dans ces emplacements, puis poser les autres chevilles murales.
6. Tout en maintenant les vannes du haut et du bas ouvertes, reposer le volet anti-refouleur, puis le fixer au mur à l'aide des vis pointues autotaraudeuses. Ne pas trop serrer les vis.
7. Vérifier que les vannes peuvent s'ouvrir et se fermer sans coincement.

#### Pour le montage dans une fenêtre ou un panneau

##### Etanchéisation du trou E

1. Pour le montage dans une fenêtre ou un panneau dont l'épaisseur est inférieure à 9 mm, monter le joint blanc en caoutchouc sur le bord du trou. Pour le montage dans un panneau ou un double vitrage dont l'épaisseur est supérieure à 9 mm, il faut se procurer le kit pour double vitrage DXDG. Suivre la notice du fabricant fourni avec ce kit spécial.

##### Fixer le volet anti-refouleur dans l'entretoise F

1. Tout en maintenant les vannes du haut et du bas, introduire le volet anti-refouleur 2 dans l'entretoise 3 de manière à ce que les trous de fixation dans le coin en haut à droite et le coin en bas à gauche correspondent aux trous prévus dans l'entretoise.
2. Introduire deux des vis autotaraudeuses à extrémité plate fournies, et fixer le volet anti-refouleur sur l'entretoise.

##### Montage du ventilateur dans une fenêtre G

1. Il faut qu'une deuxième personne maintienne en place à l'extérieur le volet anti-refouleur et l'entretoise, l'entretoise étant plaquée contre la vitre.
2. Vérifier que les deux trous de fixation avec collerette en saillie prévus dans l'entretoise sont à l'horizontale et se trouvent à l'intérieur du trou principal.
3. En travaillant de l'intérieur, tenir la plaque de support de manière à ce que le bloc de bornes soit orienté vers vous, dans le coin en haut et à gauche, et que la lèvre soit dirigée vers ce trou.
4. Aligner les trous prévus dans la plaque de support avec ceux de l'entretoise.
5. Introduire deux des vis autotaraudeuses à extrémité plate fournies dans les trous de fixation, et fixer le volet anti-refouleur sur l'entretoise. Ne pas trop serrer les vis.

#### Raccordement des connexions électriques

- Vérifier que l'alimentation électrique est isolée.
1. Effectuer le raccordement électrique du ventilateur comme indiqué à H et en vérifiant le modèle du ventilateur sur le schéma. Faire passer le câble entre les deux tétons en saillie (pour un raccordement à partir du dessus), et à travers le labyrinthe jusqu'au bloc de bornes.
  2. Couper l'alimentation électrique et retirer les fusibles.
  3. Raccorder le câble entre le sectionneur et le fil d'alimentation électrique.
- Pour les circuits électriques fixes, le fusible de protection de l'appareil doit avoir une intensité inférieure à 5 A.

#### VX100T seulement I

- Pour régler le délai de continuation de fonctionnement, tourner le bouton (T) dans le sens des aiguilles d'une montre pour le prolonger et dans le sens contraire pour le raccourcir.

Ventilateurs Xpelair  
pour W.C./Salle de  
bains  
VX100, VX100P,  
VX100T  
Notice d'installation  
et d'entretien

Prière de conserver  
cette notice avec le  
ventilateur, pour que  
l'utilisateur puisse s'y  
référer ultérieurement.

#### Tous les ventilateurs

- Si le raccordement électrique est effectué par le haut, découper la fente prévue pour le câble marquée sur le dessus du couvercle avant.
- Poser le couvercle avant en l'alignant à l'équerre par rapport à la gaine, puis l'enfoncer dans la gaine jusqu'à ce que les agrafes s'encliquettent dans les fentes prévus sur le couvercle avant.

#### Utilisation du ventilateur

##### VX100

- Pour mettre le ventilateur en marche ou à l'arrêt, utiliser l'interrupteur Marche/Arrêt.

##### VX100P seulement

- Pour mettre le ventilateur en marche ou à l'arrêt, tirer puis relâcher le cordon. Recommencer pour le mettre à l'arrêt.

##### DVX100T seulement

- Pour mettre le ventilateur en marche ou à l'arrêt, utiliser l'interrupteur Marche/Arrêt. Lorsque l'interrupteur est mis sur arrêt, le ventilateur continue de fonctionner pendant le délai prédéterminé réglable.

#### Nettoyage (recommandé une fois par mois)

UN ELECTRICIEN QUALIFIE DOIT  
EFFECTUER TOUTES LES OPERATIONS DE  
NETTOYAGE.

1. Avant de nettoyer le ventilateur, il faut complètement l'isoler de l'alimentation secteur.
2. Retirer le couvercle avant. Pour cela, utiliser un tournevis de 3 mm pour appuyer sur les agrafes situées sur les côtés de l'appareil, tout en tirant le couvercle vers l'avant.

3. Pour nettoyer le couvercle avant, l'essuyer avec un chiffon humide non pelucheux, ou le laver dans une solution d'eau savonneuse. Sécher soigneusement le couvercle avant, puis le remonter.
4. Ne pas immerger le ventilateur dans de l'eau ni d'autres liquides pour nettoyer les autres parties du ventilateur.
5. Ne jamais utiliser de solvants forts pour nettoyer le ventilateur.
6. A part le nettoyage, le ventilateur n'exige aucun autre entretien.



## Xpelair

## Installations- und Bedienungsanleitung für die WC- und Badezimmerlüfter,

Modelle VX100, VX100P, VX100T,

Diese Anleitung zum zukünftigen Nachschlagen bitte stets in der Nähe des Lüfters aufbewahren.

## Installation des Lüfters

Diese Geräte sind zum Anschluss an fest verlegte Kabel vorgesehen. Prüfen Sie, dass die am Gerät angegebene Nennspannung mit derjenigen der Spannungsversorgung übereinstimmt.

DIESE GERÄTE SIND DOPPELT ISOLIERT UND BRAUCHEN NICHT GEERDET ZU WERDEN.

Alle Installationsarbeiten sind von einem dafür ausgebildeten Elektriker auszuführen bzw. zu beaufsichtigen. Einbau und Kabel müssen den derzeit geltenden IEE-Vorschriften (Großbritannien) bzw. den regionalen und allen anderen Vorschriften (andere Länder) entsprechen. Dieses Gerät darf nicht von Personen (einschließlich Kindern und gebrechlichen Menschen) mit eingeschränkter körperlicher, geistiger oder Wahrnehmungsfähigkeiten bzw. mit mangelnden Erfahrungen und Kenntnissen verwendet werden, außer wenn sie von einer Person, die für deren Sicherheit verantwortlich ist, beaufsichtigt werden oder zuvor entsprechende Anweisungen zur Verwendung des Geräts erhalten. Bei Kindern muss sichergestellt werden, dass das Gerät nicht zum Spielen verwendet wird.

Sollten Sie während oder nach der Installation dieser Produkte Fragen haben, wenden Sie sich bitte an die technische Hotline von Xpelair unter **+44 (0) 344 879 3588**.

Kunden außerhalb Großbritanniens wenden sich bitte an ihren zuständigen Xpelair Regionalvertreter.

## Produktbeschreibung

Xpelair Lüfter zeichnen sich durch die folgenden Merkmale aus:

- Universal-Einbausatz zum Einbau in Fenster, Wand, Verkleidung, Entlüftungsschacht oder Decke
- Extraktion (Luftabsaugung) mit einer Geschwindigkeit

## VX100

- Lüfterbedienung per Ein-/Ausschalter (gehört nicht zum Lieferumfang)

## VX100P

- Lüfterbedienung per integrierter Zugschnur

## VX100T

- Integrierter Zeitgeber schaltet Lüfter automatisch nach einer zuvor eingestellten Verzögerungszeit von bis zu 30 Minuten ein

## Was der Installateur benötigt

- Die feste Verdrahtung muss eine Vorrichtung zur Kontakttrennung in allen Polen aufweisen, die entsprechende Verkabelungsvorschriften erfüllt.
- Bei Verwendung von Schaltkästen aus Metall sind die entsprechenden Erdungsvorschriften zu befolgen.
- Zweiadriges Kabel entsprechender Bemessung (DX100, DX100PC, DX100HP und DX100PIR).
- Dreiadriges Kabel entsprechender Bemessung (DX100T, DX100H und DX100VTD).
- Einen Elektriker-Schraubenzieher mit einer 3-mm-Klinge, Pozidrive Schraubenzieher Nr. 1 und 2.
- Einen wand- oder deckenmontierten Ein-/Ausschalter mit integrierter Kontrollleuchte (DX100, DX100T und DX100VTD).
- Um eine mögliche Gefahrenquelle durch eindringendes Wasser zu verhindern, muss in allen Fällen, in denen ein Bereich des Abzugsrohres, das höher als der Lüfter angebracht ist, so dicht wie möglich am Lüfter eine Kühlfalle (Xpelair Bestell-Nr. XCT100) installiert werden.

Bei Wandmontage des Lüfters werden außerdem benötigt:

- Mauerbohrer, Hammer und Meißel (oder Kernbohrer, insofern verfügbar)
- Mörtel bzw. Spachtelmasse zum

Verschließen des Lochs (insofern erforderlich)

#### Bei Fenstermontage des Lüfters:

- Eine Fensterscheibe, zwischen 3 mm und 6 mm dick (4 mm im Idealfall).
- Lüfter nicht in 3 mm dicke Fensterscheiben einbauen, wenn die Fläche der Scheibe größer als 0,2 Quadratmeter ist.
- Bei Einbau in eine Thermoscheibe ist beim Glashersteller eine Spezialscheibe zu bestellen. Außerdem ist der Xpelair Spezialsatz (Katalog-Bestellnummer DXDG) erforderlich.
- Bei Einbau in Fallfenster ist der Lüfter in das obere Fenster einzubauen. Hierzu oberes Fenster in der geschlossenen Stellung sichern und Anschläge direkt unterhalb des Lüfters anbringen, damit dieser beim Hochschieben des unteren Fensters nicht beschädigt wird.
- Bei Einbau in eine zwischen 9 mm und 46 mm dicke Glasscheibe ist der Xpelair Spezialsatz (Katalog-Bestellnummer DXDG) erforderlich. Lüfter nicht in Glasscheiben einbauen, die über 46 mm stark sind.

#### Bei Deckenmontage des Lüfters:

Hierzu sind die entsprechenden Zusatzgeräte zum Endanschluss erforderlich. Diese Artikel sind von Xpelair erhältlich.

1. Endanschluss-Abzugsrohrsatz WT10
2. Schaltungs-Endanschlussgrill CFWG100 (weiß oder braun)
3. Biegsame Abzugsrohre FD100/3 und FD100/6

#### Auswahl des Einbauortes für den Lüfter

- Lüfter so hoch wie möglich anbringen.
- Der Abstand von den Kanten der Einbaufäche zum Mittelpunkt der Bohrung muss mindestens 110 mm betragen.
- So weit wie möglich entfernt und gegenüber der Hauptquelle des Luftaustausches, um einen Luftstrom durch den Raum zu gewährleisten (z. B. gegenüber dem Inneneingang).
- In der Nähe von Dampf- oder Geruchsquellen.
- Nicht dort, wo die Umgebungstemperaturen 50°C überschreiten können.
- Bei Einbau in einer Küche darf der Lüfter nicht unmittelbar über einem Herd oder einem in Augenhöhe angebrachten Grill installiert werden.
- Bei Installation in einem Raum, der einen Ölbrenner mit unausgeglichenem Flammrohr enthält, hat der Installateur zu gewährleisten, dass ausreichend Austauschluft vorhanden ist, um zu verhindern, dass während des maximalen Absaugbetriebs des Lüfters Dämpfe in das Flammrohr gesogen werden.  
Siehe entsprechende Bauvorschriften.

- Abluft darf nicht in ein Flammrohr austreten, das zum Absaugen von Abgasen anderer Geräte dient, die mit anderen Energiearten als Elektrizität betrieben werden. Hinsichtlich des Abfürderns von Abluft und der Strömungsgeschwindigkeiten beim Ansaugen sind die geltenden Vorschriften aller entsprechenden Behörden einzuhalten.
- Vor dem Einsatz des Lüfters in möglicherweise chemisch ätzenden Atmosphären muss unsere technische Kundendienstabteilung konsultiert werden. (Ausland: Bitte an den zuständigen Xpelair Regionalvertreter wenden.)

#### Installation des Trennschalters und der Kabel

1. Prüfen, dass die an der Rückseite des Gerätes angegebene Nennspannung mit derjenigen der Spannungsversorgung übereinstimmt.
2. Prüfen, dass an der Stelle, an der die Installation des Schalters beabsichtigt ist, keine Elektrokabel, Gas- oder Wasserleitungen o.ä. verlaufen (in der Wand oder oberhalb der Decke). Im Zweifelsfall fachmännischen Rat einholen.
3. Spannungsversorgung trennen.
4. Kabel vom Trennschalter zu der Stelle verlegen, an der die Installation des Lüfters vorgesehen ist (ggf. über den Ein-/Ausschalter).
5. Kabel vom Trennschalter zum Anschlusspunkt an das Stromnetz verlegen.
6. Trennschalter und ggf. Ein-/Ausschalter installieren.
7. Alle erforderlichen Anschlüsse am Trennschalter und ggf. am Ein-/Ausschalter herstellen.

Hinweis: Die Stelle, an der der Ein-/Ausschalter angebracht wird, muss so ausgewählt werden, dass er von badenden oder duschenden Personen nicht berührt werden kann.

**WARNUNG: ZU DIESEM ZEITPUNKT NOCH KEINEN ANSCHLUSS AN DER SPANNUNGSVERSORGUNG HERSTELLEN!**

Gilt nur für Australien (VX100, VX100P)

Der Anschluss an die Spannungsversorgung kann mit einem zweiadrigen Netzkabel hergestellt werden, das mit einem dreistiftigen Stecker versehen ist. Dieser Stecker wird entweder an einer zugelassenen und mit 10 A abgesicherten Netzsteckdose angeschlossen

## Xpelair

Installations- und  
Bedienungsanleitung  
für die WC- und  
Badezimmerlüfter,Modelle VX100,  
VX100P, VX100T,Diese Anleitung zum  
zukünftigenNachschlagen bitte stets  
in der Nähe des Lüfters  
aufbewahren.

oder das Netzkabel wird über einen zugelassenen und mit 10 A abgesicherten Wandschalter nach mindestens 3 mm Abstand zwischen den Kontakten direkt verkabelt.

Gilt nur für Australien (VX100T)

Diese Modelle sind zum permanenten Anschluss an der Spannungsversorgung ausgelegt, und ihr Betrieb wird über einen Fernschalter gesteuert. Sie sind ,ber einen zugelassenen 10-A-Wandschalter mit mindestens 3 mm Abstand zwischen den Kontakten direkt an der Spannungsversorgung anzuschließen.

**Vorbereitung des Lochs**

Bei Übergründarbeiten sind entsprechende Sicherheitsvorkehrungen zu treffen.

**WARNUNG: BEIM BOHREN UND  
MEISSELN IST EIN AUGENSCHUTZ ZU  
TRAGEN!**

**Bei Einbau in eine Wand**

1. Prüfen, dass in der Wand, an der die Installation des Lüfters vorgesehen ist, keine Rohrleitungen oder Kabel verlaufen und an der Wand keine anderen Hindernisse vorhanden sind, wie z.B. Elektro-, Gas- oder Wasseranschlüsse.  
Im Zweifelsfall fachmännischen Rat einholen.
2. An der Wand den Mittelpunkt des Abzugsloches markieren.
3. Um diesen Mittelpunkt herum einen Kreis mit einem Durchmesser von 115 mm für die Mauerdurchführung anzeichnen.

Bei Einsatz eines Kernbohrers:

- 4a. Der Bedienungsanleitung des Bohrmaschinenherstellers entsprechend verwenden.

Falls kein Kernbohrer verfügbar ist:

- 4b. Ein mittiges Loch vollständig durch die Wand bohren.
5. Das Loch ausschneiden, aber nicht vollständig durch die Wand. (Empfohlene Methode: Entlang der Markierungslinie eine Reihe dicht beieinander liegender Löcher bohren und das Mauerwerk zwischen den Löchern mit einem Meißel entfernen.)
6. Nach draußen gehen und ein Loch in der Außenwand ausschneiden, wobei das oben erläuterte Verfahren wiederholt wird.
7. Das Abzugsrohr ggf. auf die korrekte Länge zuschneiden. Das beiliegende Teleskop-Wandrohr kann auf eine Länge von max. 300 mm ausgezogen werden.
8. Das Abzugsrohr einsetzen. Gewährleisten, dass das Abzugsrohr ein Gefälle vom Lüfter wegweisend besitzt, damit evtl. eindringendes Regenwasser nach außen abläuft.
9. Loch verschließen. Vor dem Fortsetzen mit

der Lüfterinstallation warten, bis der Mörtel bzw. die Spachtelmasse abgebinden sind.

**Bei Installation in ein Fenster oder eine Verkleidung**

1. Ein Loch mit einem Durchmesser von 125 mm ausschneiden bzw. zum Einbau in ein Fenster eine bereits zurechtgeschnittene Scheibe besorgen.
2. Der Abstand vom Mittelpunkt des Loches zur Kante der Verkleidung oder Glasscheibe muss mindestens 110 mm betragen.

**Bei Einbau in einen Lüftungsschacht**

1. Prüfen, dass im Lüftungsschacht keine Leitungen oder Kabel verlaufen.  
Im Zweifelsfall fachmännischen Rat einholen.
2. An der Seite des Schachtes ein Loch mit einem Durchmesser von 110 mm ausschneiden.
3. Ist der Schacht von einer Hohlwand umgeben, den Hohlraum mit dem Wandrohr überbrücken.
4. Abzugsrohr und ggf. Kühlfalle anbringen, wobei sich die Kühlfalle so nahe wie möglich am Lüfter befinden sollte.

**Bei Einbau des Lüfters in eine Decke**

1. Prüfen, dass in der Decke bzw. in den Deckenträgern keine Leitungen oder Kabel verlaufen.  
Im Zweifelsfall fachmännischen Rat einholen.
2. Ein Loch mit einem Durchmesser von 115 mm ausschneiden.

**Vorbereitung des Lüfters zum Einbau**

Vordere Abdeckung abnehmen, indem die Verriegelungen an den Seiten des Geräts mit einem 3-mm-Schraubendreher eingedrückt werden und die vordere Abdeckung L zugleich nach vorn gezogen wird.

Beim Einbau in ein Fenster oder eine Verkleidung mit einer Dicke von weniger als 16mm muss der Lüfterzapfen bis zur sichtbaren Stufe 20mm hinten von der Rückwand entfernt gestützt werden.

1. Das Lüfterrad entfernen, indem es nach vorne gezogen wird.
2. Den Zapfen mit einer kleinen Bogensäge bis zur Stufe stützen und dabei sicherstellen, dass die Bogensäge an der Motorwelle keine Spuren hinterlässt.
3. Die Zapfenkanten je nach Erfordernis entgraten.
4. Das Lüfterrad wieder anbringen. Dazu das Lüfterrad auf die Welle setzen und vollständig in Position drücken.



## Lüfter in das Loch einsetzen

Bei Übergrundarbeiten sind die entsprechenden Sicherheitsvorkehrungen zu treffen.

Bei Einbau des Lüfters in eine Wand, Decke oder einen Lüftungsschacht

Die Position der Sockelplatte **B** markieren.

1. Die Sockelplatte so halten, dass der Anschlussklemmenblock in der linken oberen Ecke auf Sie und die Lippe in Richtung Loch weist.
2. Die Lippe vorsichtig in die Mauerdurchführung, die Decke oder den Abzugsschacht einsetzen.
3. Die Sockelplatte so ausrichten, dass sie bündig und waagrecht sitzt.
4. An der Wand, Decke oder dem Abzugsschacht die Lage der drei Befestigungslöcher in der Sockelplatte markieren.
5. Die Sockelplatte aus dem Abzug herausnehmen.
6. An diesen Stellen ggf. Schraubenlöcher bohren und Dübel einsetzen.

Befestigung der Sockelplatte **C**

1. Die gerippte Dichtung (RG100) auf die Lippe der Sockelplatte **1** schieben.
2. Bei Einbau in eine Decke oder einen Abzugsschacht: Das Stück des Teleskop-Wandrohres mit dem größeren Durchmesser auf die gerippte Dichtung drücken. Zuvor ggf. das Rohr auf die erforderliche Länge zuschneiden.
3. Falls der Lüfter von hinten verkabelt wird, den Auswerfer entfernen. Das Netzkabel durch die Kabeleinlassöffnung in der Sockelplatte zu den Anschlussklemmen **D** führen.
4. Bei Verkabelung von oben das Kabel frei lassen, so dass es im Labyrinth angeschlossen werden kann.
5. Die Lippe der Sockelplatte wie zuvor in die Mauerdurchführung, die Decke oder den Lüftungsschacht einsetzen.
6. Die Sockelplatte mit entsprechenden Befestigungselementen an der Wand, der Decke oder dem Lüftungsschacht befestigen. Bei Verwendung von Schrauben diese nicht überdrehen.

Anbringen der Rückstauklappe

1. Das Schutzpapier von dem beiliegenden Schaumgummistreifen abziehen und den Streifen an der Außenseite der Lippe an der Rückstauklappe befestigen.
2. Nach draußen gehen. Die oberen und unteren Lüfterblätter aufhalten und gleichzeitig die Lippe in die Mauerdurchführung einsetzen.
3. Darauf achten, dass die Rückstauklappe horizontal ausgerichtet ist, und die Lage der beiden Befestigungslöcher oben rechts und unten links anzeichnen.

4. Die Rückstauklappe aus der Mauerdurchführung entfernen.
5. An den markierten Stellen Schraubenlöcher bohren und die restlichen Wanddübel einsetzen.
6. Die oberen und unteren Lüfterblätter aufhalten, die Rückstauklappe wieder einsetzen und mit den Schneidschrauben an der Wand sichern. **Schrauben nicht überdrehen.**
7. Davon überzeugen, dass die Lüfterblätter ungehindert öffnen und schließen.

Bei Einbau des Lüfters in ein Fenster oder eine Verkleidung

Abdichten des Loches **E**

1. Bei Einbau des Lüfters in ein Fenster oder eine Verkleidung, die nicht stärker als 9 mm sind, wird die weiße Gummidichtung um die Kante des Lochs geführt. Bei Einbau des Lüfters in eine Verkleidung oder Thermoscheibe, die stärker als 9 mm sind, ist der Thermoglassatz DXDG erforderlich. Die mit dem Spezialsatz gelieferte Anleitung befolgen.

Anbringen der Rückstauklappe am Abstandshalter **F**

1. Die oberen und unteren Lüfterblätter aufhalten und die Rückstauklappe **2** in den Abstandshalter **3** einsetzen, so dass die Befestigungslöcher oben rechts und unten links mit denen des Abstandshalters übereinstimmen.
2. Zwei der beiliegenden Flachkopf-Schneidschrauben einsetzen und damit die Rückstauklappe am Abstandshalter sichern.

Einbau des Lüfters in das Fenster **G**

1. Die Rückstauklappe und der Abstandshalter müssen zunächst von einer zweiten Person von außen gehalten werden, wobei der Abstandshalter gegen das Glas gedrückt wird.
2. Darauf achten, dass die beiden erhöhten Befestigungslöcher im Abstandshalter horizontal ausgerichtet und im Loch positioniert sind.
3. Die Sockelplatte von innen so halten, dass der Anschlussklemmenblock links oben liegt und die Lippe in Richtung Loch weist.
4. Die Löcher in der Sockelplatte mit denen des Abstandshalters ausrichten.
5. Zwei der beiliegenden Flachkopf-Schneidschrauben in die Befestigungslöcher einsetzen und damit die Sockelplatte am Abstandshalter sichern. **Schrauben nicht überdrehen.**

Die elektrischen Anschlüsse herstellen

• Spannungsversorgung trennen!

1. Den Lüfter so, wie in **H** gezeigt, und dem jeweiligen Modell entsprechend verdrahten. Das Kabel zwischen die beiden erhöhten Klammern führen, falls die Verdrahtung von oben vorgenommen wird, und durch das Labyrinth zum Anschlussklemmenblock.

## Xpelair

Installations- und  
Bedienungsanleitung  
für die WC- und  
Badezimmerlüfter,Modelle VX100,  
VX100P, VX100T,Diese Anleitung zum  
zukünftigenNachschlagen bitte stets  
in der Nähe des Lüfters  
aufbewahren.

2. Spannungsversorgung abschalten und Sicherungen herausnehmen.
  3. Das vom Trennschalter kommende Kabel an der Spannungsversorgung anschließen.
- Bei Stromkreisen mit fest verlegten Kabeln darf die Nennstromstärke der Gerätesicherung 5 A nicht überschreiten.

## Nur VX100T I

- Zum Einstellen des Overrun-Zeitraums den Regler (T) drehen. Bei Drehung im Uhrzeigersinn wird die Länge des Zeitraums erhöht, bei Drehung gegen den Uhrzeigersinn gesenkt.

## Alle Lüfter

- Bei Verdrahtung von oben den oben auf der vorderen Abdeckung markierten Kabeleinlassschlitz ausschneiden.
- Anbringen der vorderen Abdeckung: Rechtwinklig zum Abzug ausrichten und so weit auf das Abzugsrohr schieben, bis die Verriegelungen in den Schlitz an der vorderen Abdeckung einrasten.

## Bedienung des Lüfters

## Nur VX100P

- Der Lüfter wird durch Ziehen der Zugschnur ein- und ausgeschaltet.

## Nur VX100T

- Der Lüfter wird mit dem Ein-/Ausschalter ein- und ausgeschaltet. Im ausgeschalteten Zustand bleibt der Lüfter über die eingestellte Verzögerungszeit hinweg in Betrieb.

## Reinigung (einmal pro Monat empfohlen)

**DIE REINIGUNG DES LÜFTERS DARF NUR VON EINEM DAZU BERECHTIGTEN ELEKTRIKER VORGENOMMEN WERDEN!**

1. Vor dem Ausführen von Reinigungsarbeiten Lüfter vollständig vom Stromnetz trennen.
2. Vordere Abdeckung entfernen, indem die Verriegelungen an den Seiten des Geräts mit einem 3-mm-Schraubendreher eingedrückt werden und die vordere Abdeckung L zugleich nach vorn gezogen wird.
3. Zum Reinigen wird die vordere Abdeckung entweder mit einem feuchten, fusselfreien Tuch abgewischt oder in warmem Seifenwasser gewaschen. Abdeckung anschließend gründlich trocknen und wieder anbringen.
4. Alle anderen Teile des Lüfters dürfen weder mit Wasser noch mit anderen Flüssigkeiten gereinigt werden.
5. Zum Reinigen des Lüfters keine aggressiven Lösungsmittel benutzen!
6. Außer der Reinigung des Lüfters sind keine weiteren Wartungsarbeiten erforderlich.



## **Warranty.**

UK only:

Xpelair products deliver reliable service for normal, household use in domestic settings. All Xpelair products are individually tested before leaving the factory.

If you are a consumer and you experience a problem with your Xpelair product, which is found to be defective due to faulty materials and workmanship within the warranty period, This Xpelair warranty will cover repair or at the discretion of Xpelair replacement with a functionally equivalent Xpelair Product.

The Xpelair warranty period is Two calendar years from the date of purchase of your Xpelair product, or the date of delivery of the product, if later. The Xpelair warranty is conditional upon you providing the original purchase receipt proof of purchase. Please therefore retain your receipt as proof of purchase.

If you do experience a problem with your Xpelair product please call the helpline on +44 (0)344 879 3588 or at the address below. We will need details of your Xpelair product, and a description of the fault which has occurred. Once we receive your information and proof of purchase we will contact you to make the necessary arrangements.

Customers outside UK - See International below.

If your Xpelair product is not covered by this Xpelair warranty there may be a charge to repair your product. However, we will contact you for an agreement to any charges before any chargeable service is carried out.

### **What is not covered by an Xpelair warranty?**

The Xpelair warranty does not cover any of the following:

Any fault or damage to your Xpelair product due to faulty materials or workmanship occurring outside the Two year warranty Period.

Any fault or damage occurring to any pre-owned Xpelair product or to any other equipment or property.

Accidental damage to your Xpelair product or damage to your Xpelair product from external sources (for example, transit, weather, electrical outages or power surges).

Fault or damage to your Xpelair product which is:

Not due to faulty materials or workmanship or which is due to circumstances outside Xpelairs control.

Caused by use of your Xpelair product for anything other than normal domestic household purposes in the country where it was purchased.

Caused by any misuse, abuse or neglect use of the Xpelair product, including but not limited to any failure to use it in accordance with the Operating Instructions supplied with the product.

Caused by any failure to assemble, install, clean and maintain your Xpelair product in accordance with th Operating Instructions supplied with the product unless this was carried out by Xpelair or its authorised dealers.

Caused by repairs or alterations to your Xpelair product not carried out by Xpelair service personnel or its authorised dealer(s).

Caused by use of any consumables or spare parts for your Xpelair product which are not Xpelair specified.

### **Terms and Conditions**

The Xpelair warranty is valid for Xpelair from the date of purchase of your Xpelair product from a recognised retailer in the country of purchase and use, or the date of delivery of the product if later, always provided the original receipt has been retained and is produced as proof of purchase.

You must provide to Xpelair or its authorised agents on request the original receipt as proof of purchase and - if required by Xpelair - proof of delivery. If you are unable to provide this documentation, you will be required to pay for any repair work required.

Any repair work under the Xpelair warranty will be carried out by Xpelair or its authorised dealer(s) and any parts that are replaced will become the property of Xpelair. Any repairs performed under the Xpelair warranty will not extend the warranty period.

Any replacement of your Xpelair product by Xpelair during the warranty period will start the Two year warranty period afresh from the date of delivery of the replacement Xpelair product to you.

The Xpelair warranty does not entitle you to recover of any indirect or consequential loss or damage including but not limited to loss or damage to any other property.

The Xpelair warranty is in addition to your statutory rights as a consumer and your statutory rights are not affected by this Xpelair warranty.

### **Contact Xpelair**

If you have any questions about what the Xpelair warranty covers and does not cover or how to claim under Xpelair warranty, please contact us using the information below.

### **Contact details**

Glen Dimplex UK Ltd,  
Millbrook House, Grange Drive, Hedge End, Southampton, SO30 2DF  
Telephone: +44 (0) 344 879 3588  
Email: customer.services@glendimplex.com  
Web: www.xpelair.co.uk

Glen Dimplex Europe Limited,  
Airport Road, Cloghran, Co. Dublin, K67 VE08.  
Telephone: +353 (0)1 8523400  
Email: serviceireland@glendimplex.com

### **International**

Warranty: Contact your local distributor or Xpelair direct for details.

Technical advice and service: Contact your local Xpelair distributor.

Xpelair: A brand of Glen Dimplex Heating and Ventilation

© Glen Dimplex. All rights reserved. Material contained in this publication may not be reproduced in whole or in part, without prior permission in writing of Glen Dimplex



For electrical products sold within the European Community. At the end of the electrical products useful life it should not be disposed of with household waste. Please recycle where facilities exist. Check with a Local Authority or retailer for recycling advice in your country. Batteries should be disposed of or recycled in accordance with WEEE Directive 2012/EU. Packaging should be recycled where possible.



GlenDimplex  
HEATING & VENTILATION

Part No: 567202609AM (Rev G)