



VIPER SCC

Duct Mounted Centrifugal Fan

UK Patent number GB2503270

» **Select** models available for next day delivery

VIPER SCC

Product Overview



- Patented design (registration number GB2503270)
- 8 standard sizes from 250mm to 630mm
- Air volume flow rates up to 1.45 m³/s (AC) and 1.73 m³/s (EC)
- Static pressures up to 660 Pa (AC) and 856 Pa (EC)
- Suitable for operating temperatures up to +60°C
- Available in **AC** & **EC**

The Viper SCC Series is an inline duct mounted centrifugal fan and is normally mounted in duct work applications. The Viper incorporates advanced backward curved impellers, with three dimensional profiled blades.

Easy Installation

Fans are supplied with a fitted IP55 terminal box, which allows the fan to be positioned conveniently to incoming electrical inputs.

Efficient Performance

High efficiency low tonal noise backward curved centrifugal impellers are directly driven by an AC or EC external rotor motor, designed to be non-overloading and provide high performance characteristics.

Corrosion resistance

The Viper SCC has been treated against corrosion, powder coated with polyester epoxy paint in pastel beige (RAL 7032)

Controllability

EC motors providing precise speed control via potentiometer, BMS or Elta Fans DCV control. AC external rotor motor variants also available. Reduced fan speed can provide significant cost-savings through lower energy consumption in both mechanical energy of motors and also on the conditioning of replacement air.

Energy saving

Performance optimised backward curved impellers and IP54 EC motors provide low specific fan powers and stepless speed control without tonal noise generation.

Warranty

Each SCC has a 12 month warranty.

Construction

Constructed from mild steel and suitably treated to ensure full corrosion protection. The guard is powder coated polyester epoxy paint finish in black (RAL 9005). Fan casings are powder coated polyester epoxy paint finish in pastel beige (RAL 7032).

Motor

EC or AC external rotor motor fitted as standard. The motor contains sealed for life bearings. Thermal Class of motors to THCL 130 or 155 dependent on size.

Impeller

High efficiency low tonal noise backward curved centrifugal impeller, dynamically balanced to ISO 14694 Grade G6.3 and directly driven by the motor to provide a smooth airflow through the unit.

Typical Applications

- Sports Hall
- Squash Courts
- Schools & Colleges
- Shops
- Retail Parks
- Commercial
- Kitchens
- Factories
- Industrial Units
- Warehousing

Contents

Page	Information	Load
3	Performance Range Curves	
4	Performance, SFP & Electrical Data	AC
5	Performance, SFP & Electrical Data	EC
8	Sound Data	AC
9	Sound Data	EC
12	Dimensional Data	
13	EcoDesign 1253 / 2014	
14	Accessories	AC
15	Accessories	EC
29	Notes	

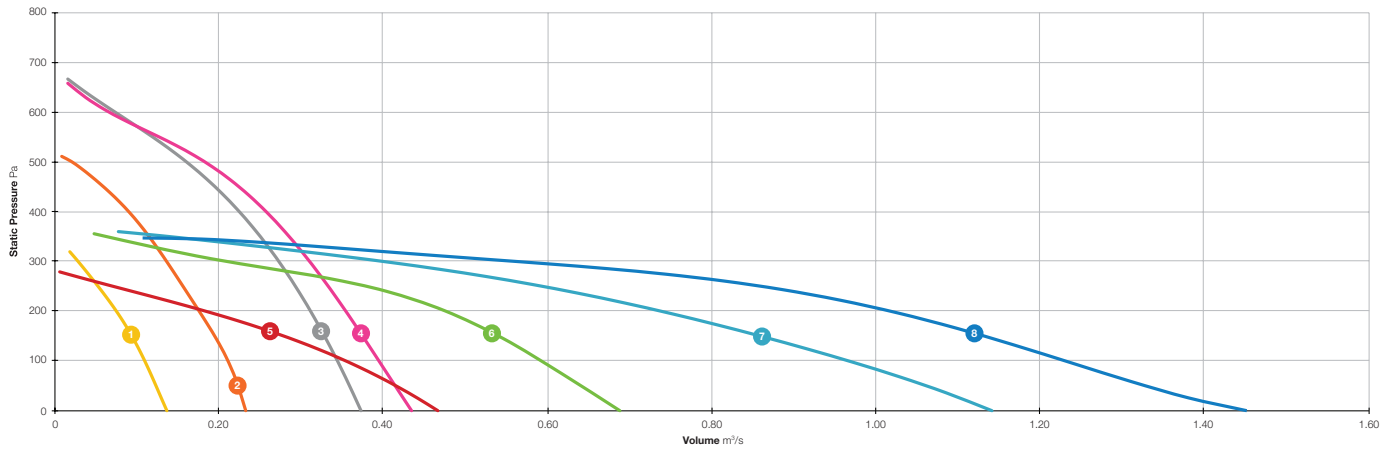
Product Coding

Code	Reference
SCC	Product Range
250	Diameter (250/315/350...)
-	
1	Voltage Supply (Single Phase / Three Phase)
AC	Motor Type (AC/EC)
A - Z	Additional Coding (A - Z) Product Variants
e.g.	SCC250 / 1AC

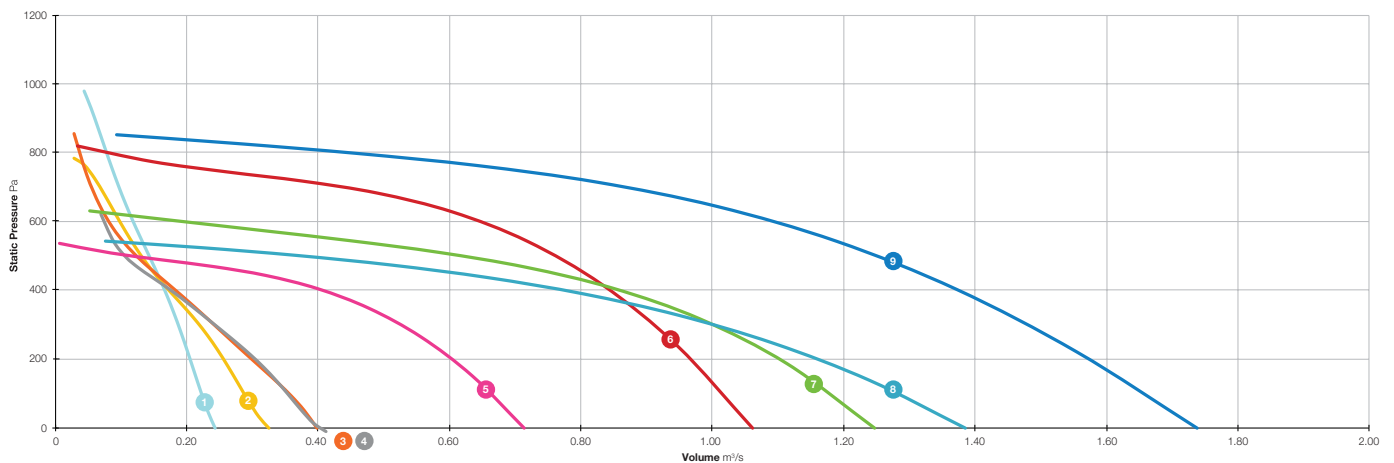
VIPER SCC



Performance Range Curves



- | | | |
|----------------|----------------|----------------|
| 1 SCC250 / 1AC | 4 SCC400 / 1AC | 7 SCC560 / 1AC |
| 2 SCC315 / 1AC | 5 SCC450 / 1AC | 8 SCC630 / 1AC |
| 3 SCC350 / 1AC | 6 SCC500 / 1AC | |



- | | | |
|----------------|----------------|----------------|
| 1 SCC250 / 1EC | 4 SCC400 / 1EC | 7 SCC560 / 1EC |
| 2 SCC315 / 1EC | 5 SCC450 / 1EC | 8 SCC630 / 1EC |
| 3 SCC350 / 1EC | 6 SCC500 / 1EC | 9 SCC630 / 3EC |

Performance, SFP & Electrical Data

Single Phase 220V to 240V / 50Hz

Product Code	Speed r/min	Airflow SFP	Airflow m ³ /s @ Static Pressure Pa												At Best Efficiency Point		Electrical Data		dBA @ 3m	
			0	25	50	75	100	150	200	250	300	350	400	500	Overall Eff %	Input kW	Peak Amps	SC Amps		
SCC250-1AC	2790	m ³ /s	0.135	0.128	0.122	0.115	0.108	0.093	0.074	0.052	0.028	-	-	-	23.7	0.052	0.32	0.48	Inlet	40
		W/(L/s)	0.45	0.48	0.51	0.54	0.58	0.68	0.85	1.17	1.97	-	-	-					Outlet	41
		Breakout	30																	
SCC315-1AC	2585	m ³ /s	0.231	0.227	0.222	0.217	0.210	0.194	0.175	0.155	0.136	0.114	0.090	0.021	30.1	0.136	0.60	-	Inlet	49
		W/(L/s)	0.52	0.54	0.57	0.59	0.62	0.70	0.78	0.88	1.01	1.17	1.42	4.79					Outlet	48
		Breakout	42																	
SCC350-1AC	2755	m ³ /s	0.373	0.366	0.359	0.352	0.345	0.329	0.312	0.293	0.273	0.251	0.225	0.161	34.3	0.262	1.14	1.70	Inlet	51
		W/(L/s)	0.62	0.64	0.66	0.69	0.71	0.77	0.83	0.90	0.98	1.07	1.18	1.53					Outlet	50
		Breakout	-																	
SCC400-1AC	2740	m ³ /s	0.433	0.423	0.413	0.404	0.394	0.374	0.353	0.332	0.309	0.285	0.257	0.182	38.0	0.270	1.17	1.70	Inlet	48
		W/(L/s)	0.52	0.54	0.56	0.58	0.61	0.66	0.72	0.79	0.86	0.95	1.05	1.42					Outlet	49
		Breakout	-																	
SCC450-1AC	1285	m ³ /s	0.467	0.442	0.416	0.386	0.354	0.278	0.182	0.069	-	-	-	-	30.1	0.139	0.65	-	Inlet	45
		W/(L/s)	0.27	0.29	0.32	0.35	0.39	0.50	0.72	1.63	-	-	-	-					Outlet	44
		Breakout	-																	
SCC500-1AC	1392	m ³ /s	0.688	0.663	0.640	0.616	0.592	0.540	0.475	0.377	0.206	0.060	-	-	37.8	0.257	1.29	3.90	Inlet	43
		W/(L/s)	0.32	0.34	0.37	0.39	0.42	0.47	0.55	0.67	1.03	2.51	-	-					Outlet	43
		Breakout	-																	
SCC560-1AC	1350	m ³ /s	1.142	1.104	1.062	1.016	0.967	0.859	0.737	0.592	0.396	0.133	-	-	32.3	0.463	2.24	5.00	Inlet	49
		W/(L/s)	0.40	0.41	0.44	0.46	0.49	0.56	0.65	0.77	1.04	2.60	-	-					Outlet	50
		Breakout	-																	
SCC630-1AC	1305	m ³ /s	1.451	1.381	1.327	1.277	1.229	1.130	1.016	0.858	0.556	-	-	-	39.7	0.542	2.48	-	Inlet	57
		W/(L/s)	0.34	0.36	0.38	0.40	0.43	0.48	0.54	0.63	0.86	-	-	-					Outlet	58
		Breakout	-																	

Data provided is at standard air density of 1.2 kg/m³.

Data in accordance with ErP 1253/2014 of the European Parliament. Product category is NRVU. Measurement category used to determine energy efficiency: D.

Peak Amps @ 230V / 1PH / 50Hz.

The overall A-weighted sound pressure level is at a distance of 3m with spherical free-field propagation. It is expressed in dB re-20µPa and is presented for comparative purposes only.

VIPER SCC



Performance, SFP & Electrical Data

Single Phase 220V to 277V / 50Hz or 60Hz

Product Code	Control Voltage V	Speed r/min	Airflow SFP	Airflow m³/s @ Static Pressure Pa												At Best Efficiency Point		Electrical Data		dBA @ 3m	
				0	25	50	75	100	150	200	250	300	350	400	500	Overall Eff %	Input kW	Peak Amps			
SCC250-1EC	10	4045	m³/s	0.243	0.236	0.231	0.226	0.222	0.213	0.204	0.196	0.186	0.177	0.166	0.142	42.8	0.167	1.31	Inlet	52	
			W/(L/s)	0.71	0.71	0.72	0.74	0.76	0.79	0.83	0.88	0.92	0.98	1.03	1.18				Outlet	53	
	8	3690	m³/s	0.218	0.214	0.211	0.207	0.204	0.196	0.189	0.180	0.171	0.162	0.151	0.125	43.1	0.146	1.12	Inlet	51	
			W/(L/s)	0.55	0.58	0.60	0.62	0.64	0.69	0.74	0.79	0.85	0.91	0.98	1.16				Outlet	52	
	5	2265	m³/s	0.130	0.123	0.116	0.109	0.100	0.081	0.054	-	-	-	-	-	37.6	0.033	0.25	Inlet	40	
			W/(L/s)	0.22	0.24	0.26	0.29	0.33	0.41	0.56	-	-	-	-	-				Outlet	40	
2	705	m³/s	0.039	-	-	-	-	-	-	-	-	-	-	-	11.4	0.003	0.30	Inlet	-		
		W/(L/s)	0.08	-	-	-	-	-	-	-	-	-	-	-				Outlet	-		
SCC315-1EC	10	3310	m³/s	0.324	0.312	0.303	0.295	0.287	0.271	0.255	0.238	0.219	0.196	0.173	0.131	40.2	0.172	1.64	Inlet	52	
			W/(L/s)	0.53	0.55	0.56	0.58	0.60	0.63	0.67	0.72	0.79	0.88	1.00	1.32				Outlet	52	
	8	2960	m³/s	0.265	0.256	0.248	0.240	0.232	0.217	0.201	0.184	0.166	0.144	0.114	-	41.2	0.118	1.19	Inlet	48	
			W/(L/s)	0.34	0.36	0.39	0.44	0.49	0.59	0.68	0.76	0.82	0.87	0.99	-				Outlet	48	
	5	1765	m³/s	0.155	0.143	0.130	0.115	0.098	0.048	-	-	-	-	-	-	33.3	0.030	0.31	Inlet	-	
			W/(L/s)	0.16	0.18	0.21	0.25	0.31	0.58	-	-	-	-	-	-				Outlet	-	
2	560	m³/s	0.041	-	-	-	-	-	-	-	-	-	-	-	10.0	0.003	0.05	Inlet	-		
		W/(L/s)	0.08	-	-	-	-	-	-	-	-	-	-	-				Outlet	-		
SCC350-1EC	10	2495	m³/s	0.398	0.389	0.379	0.367	0.355	0.328	0.299	0.270	0.242	0.213	0.183	0.124	44.1	0.169	1.55	Inlet	51	
			W/(L/s)	0.43	0.44	0.45	0.46	0.48	0.52	0.57	0.63	0.70	0.79	0.93	1.37				Outlet	51	
	8	2545	m³/s	0.380	0.370	0.361	0.351	0.340	0.319	0.296	0.271	0.244	0.215	0.182	0.099	44.5	0.170	1.55	Inlet	48	
			W/(L/s)	0.35	0.39	0.42	0.45	0.48	0.53	0.58	0.63	0.69	0.79	0.93	1.49				Outlet	46	
	5	1555	m³/s	0.219	0.208	0.195	0.180	0.163	0.111	-	-	-	-	-	-	41.7	0.037	0.41	Inlet	39	
			W/(L/s)	0.16	0.15	0.19	0.25	0.33	0.38	-	-	-	-	-	-				Outlet	38	
2	510	m³/s	0.065	-	-	-	-	-	-	-	-	-	-	-	12.1	0.004	0.05	Inlet	25		
		W/(L/s)	0.05	-	-	-	-	-	-	-	-	-	-	-				Outlet	30		
SCC400-1EC	10	2515	m³/s	0.402	0.387	0.375	0.364	0.353	0.330	0.304	0.274	0.242	0.210	0.176	0.105	50.5	0.167	1.55	Inlet	53	
			W/(L/s)	0.42	0.43	0.45	0.46	0.47	0.50	0.55	0.61	0.69	0.79	0.95	1.58				Outlet	53	
	8	2525	m³/s	0.378	0.367	0.356	0.346	0.336	0.315	0.294	0.272	0.247	0.217	0.179	0.074	52.8	0.165	1.53	Inlet	53	
			W/(L/s)	0.36	0.38	0.41	0.43	0.46	0.51	0.56	0.62	0.68	0.76	0.91	2.11				Outlet	53	
	5	1555	m³/s	0.212	0.194	0.181	0.168	0.153	0.105	-	-	-	-	-	-	47.3	0.042	0.41	Inlet	41	
			W/(L/s)	0.15	0.18	0.21	0.23	0.27	0.39	-	-	-	-	-	-				Outlet	41	
2	500	m³/s	0.078	-	-	-	-	-	-	-	-	-	-	-	12.5	0.003	0.06	Inlet	23		
		W/(L/s)	0.05	-	-	-	-	-	-	-	-	-	-	-				Outlet	24		
SCC450-1EC	10	2011	m³/s	0.713	0.702	0.690	0.677	0.664	0.635	0.604	0.568	0.526	0.474	0.406	0.113	49.6	0.372	1.77	Inlet	52	
			W/(L/s)	0.40	0.42	0.45	0.47	0.49	0.55	0.60	0.66	0.72	0.80	0.90	1.82				Outlet	54	
	8	1592	m³/s	0.559	0.544	0.528	0.512	0.493	0.451	0.397	0.316	0.163	-	-	-	49.3	0.193	0.93	Inlet	46	
			W/(L/s)	0.27	0.29	0.31	0.34	0.36	0.42	0.49	0.59	0.85	-	-	-				Outlet	47	
	5	962	m³/s	0.336	0.309	0.276	0.230	0.148	-	-	-	-	-	-	-	40.4	0.052	0.29	Inlet	35	
			W/(L/s)	0.13	0.15	0.18	0.23	0.32	-	-	-	-	-	-	-				Outlet	35	
2	333	m³/s	0.112	-	-	-	-	-	-	-	-	-	-	-	8.2	0.010	0.11	Inlet	25		
		W/(L/s)	0.08	-	-	-	-	-	-	-	-	-	-	-				Outlet	26		

Data provided is at standard air density of 1.2 kg/m³.

Data in accordance with ErP 1253/2014 of the European Parliament. Product category is NRVU. Measurement category used to determine energy efficiency: D.

A variable speed drive is integrated within the fan.

Peak Amps @ 230V / 1PH / 50Hz.

The overall A-weighted sound pressure level is at a distance of 3m with spherical free-field propagation. It is expressed in dB re-20µPa and is presented for comparative purposes only.

Single Phase 220V to 277V / 50Hz or 60Hz

Product Code	Control Voltage V	Speed r/min	Airflow SFP	Airflow m³/s @ Static Pressure Pa												At Best Efficiency Point		Electrical Data	dBA @ 3m	
				0	25	50	75	100	150	200	250	300	350	400	500	Overall Eff %	Input kW	Peak Amps		
SCC500-1EC	10	2200	m³/s	1.061	1.051	1.040	1.028	1.017	0.993	0.967	0.940	0.911	0.879	0.844	0.761	50.9	0.833	3.98	Inlet	55
			W/(L/s)	0.62	0.64	0.66	0.68	0.70	0.74	0.79	0.83	0.88	0.94	0.99	1.12				Outlet	58
	8	1768	m³/s	0.846	0.832	0.817	0.802	0.786	0.753	0.716	0.674	0.625	0.565	0.485	0.100	50.7	0.455	2.16	Inlet	50
			W/(L/s)	0.42	0.44	0.46	0.48	0.50	0.55	0.60	0.65	0.72	0.79	0.89	2.23				Outlet	52
	5	1061	m³/s	0.509	0.483	0.454	0.420	0.380	0.258	-	-	-	-	-	-	42.3	0.118	0.57	Inlet	38
			W/(L/s)	0.19	0.22	0.24	0.27	0.31	0.42	-	-	-	-	-	-				Outlet	39
	2	375	m³/s	0.171	-	-	-	-	-	-	-	-	-	-	-	15.9	0.045	0.24	Inlet	20
			W/(L/s)	0.07	-	-	-	-	-	-	-	-	-	-	-				Outlet	21
SCC560-1EC	10	1707	m³/s	1.247	1.231	1.215	1.199	1.181	1.144	1.102	1.055	1.001	0.938	0.859	0.619	52.1	0.719	3.38	Inlet	51
			W/(L/s)	0.47	0.49	0.51	0.53	0.54	0.59	0.63	0.68	0.72	0.79	0.86	1.07				Outlet	54
	8	1371	m³/s	0.999	0.979	0.958	0.935	0.910	0.853	0.784	0.692	0.558	0.346	0.075	-	50.8	0.398	1.86	Inlet	46
			W/(L/s)	0.32	0.34	0.36	0.38	0.40	0.45	0.50	0.57	0.67	0.87	2.42	-				Outlet	48
	5	824	m³/s	0.597	0.559	0.513	0.455	0.373	-	-	-	-	-	-	-	44.4	0.101	0.50	Inlet	36
			W/(L/s)	0.14	0.16	0.19	0.22	0.27	-	-	-	-	-	-	-				Outlet	37
	2	276	m³/s	0.197	-	-	-	-	-	-	-	-	-	-	-	14.1	0.028	0.28	Inlet	21
			W/(L/s)	0.13	-	-	-	-	-	-	-	-	-	-	-				Outlet	22
SCC630-1EC	10	1414	m³/s	1.384	1.361	1.336	1.310	1.283	1.225	1.160	1.087	1.002	0.900	0.775	0.375	51.0	0.678	3.10	Inlet	51
			W/(L/s)	0.40	0.42	0.44	0.46	0.48	0.52	0.57	0.63	0.69	0.77	0.86	1.33				Outlet	53
	8	1159	m³/s	1.118	1.089	1.059	1.027	0.993	0.917	0.823	0.697	0.481	0.069	-	-	51.3	0.391	1.80	Inlet	45
			W/(L/s)	0.27	0.29	0.31	0.33	0.36	0.41	0.47	0.55	0.70	2.36	-	-				Outlet	46
	5	695	m³/s	0.677	0.624	0.560	0.476	0.346	-	-	-	-	-	-	-	44.3	0.098	0.49	Inlet	32
			W/(L/s)	0.12	0.14	0.17	0.21	0.27	-	-	-	-	-	-	-				Outlet	34
	2	233	m³/s	0.222	-	-	-	-	-	-	-	-	-	-	-	10.0	0.024	0.21	Inlet	20
			W/(L/s)	0.04	-	-	-	-	-	-	-	-	-	-	-				Outlet	20

Data provided is at standard air density of 1.2 kg/m³.

Data in accordance with ErP 1253/2014 of the European Parliament. Product category is NRVU. Measurement category used to determine energy efficiency: D.

A variable speed drive is integrated within the fan.

Peak Amps @ 230V / 1PH / 50Hz.

The overall A-weighted sound pressure level is at a distance of 3m with spherical free-field propagation. It is expressed in dB re-20µPa and is presented for comparative purposes only.

VIPER SCC



Performance, SFP & Electrical Data

Three Phase 380V to 480V / 50Hz or 60Hz

Product Code	Control Voltage V	Speed r/min	Airflow SFP	Airflow m³/s @ Static Pressure Pa												At Best Efficiency Point		Electrical Data Peak Amps	dBA @ 3m	
				0	25	50	75	100	150	200	250	300	350	400	500	Overall Eff %	Input kW			
SCC630-3EC	10	1806	m³/s	1.737	1.717	1.698	1.678	1.658	1.616	1.573	1.527	1.480	1.429	1.374	1.250	51.9	1.350	2.17	Inlet	57
			W/(L/s)	0.60	0.62	0.64	0.67	0.69	0.74	0.78	0.83	0.88	0.93	0.99	1.11				Outlet	60
	8	1451	m³/s	1.388	1.364	1.340	1.315	1.290	1.234	1.173	1.105	1.028	0.937	0.827	0.456	52.2	0.725	1.23	Inlet	50
			W/(L/s)	0.40	0.42	0.44	0.46	0.49	0.53	0.58	0.64	0.70	0.77	0.85	1.20				Outlet	53
	5	872	m³/s	0.835	0.795	0.750	0.699	0.639	0.466	-	-	-	-	-	-	48.4	0.175	0.46	Inlet	38
			W/(L/s)	0.17	0.19	0.21	0.24	0.27	0.36	-	-	-	-	-	-				Outlet	39
	2	291	m³/s	0.282	-	-	-	-	-	-	-	-	-	-	-	14.7	0.021	0.18	Inlet	23
			W/(L/s)	0.07	-	-	-	-	-	-	-	-	-	-	-				Outlet	24

Data provided is at standard air density of 1.2 kg/m³.

Data in accordance with ErP 1253/2014 of the European Parliament. Product category is NRVU. Measurement category used to determine energy efficiency: D.

A variable speed drive is integrated within the fan.

Peak Amps @ 400V / 3PH / 50Hz.

The overall A-weighted sound pressure level is at a distance of 3m with spherical free-field propagation. It is expressed in dB re-20µPa and is presented for comparative purposes only.

Sound Data

Single Phase 220V to 240V / 50Hz

Product Code		Sound Power Level dB @ Octave Band Hz								Total dB
		63Hz	125Hz	250Hz	500Hz	1kHz	2kHz	4kHz	8kHz	
SCC250-1AC	Inlet	64	63	60	57	53	50	54	47	68
	Outlet	65	63	60	57	56	52	53	46	69
SCC315-1AC	Inlet	71	78	71	65	61	60	60	54	80
	Outlet	73	77	70	64	62	60	56	51	79
SCC350-1AC	Inlet	72	78	71	67	64	62	64	61	80
	Outlet	74	76	71	67	65	62	60	58	79
SCC400-1AC	Inlet	72	73	69	65	61	59	57	60	77
	Outlet	74	72	68	66	62	62	58	59	77
SCC450-1AC	Inlet	75	71	65	61	57	60	48	43	77
	Outlet	75	71	64	62	58	58	47	42	77
SCC500-1AC	Inlet	73	72	64	61	52	56	53	44	76
	Outlet	73	70	63	62	59	55	53	43	75
SCC560-1AC	Inlet	82	78	69	64	59	63	60	51	84
	Outlet	81	76	69	67	65	62	59	50	83
SCC630-1AC	Inlet	83	81	84	69	67	68	65	65	88
	Outlet	85	80	84	72	72	67	65	61	89

Data provided at standard air density of 1.2 kg/m³.
 Tests and preparation of the sound data have been carried out in accordance with BS 848 Part 2:1985 at 50% peak pressure.
 The Sound Power Level Spectra are in dB re-1pW.

VIPER SCC



Sound Data

Single Phase 220V to 277V / 50Hz or 60Hz

Product Code	Control Voltage V		Sound Power Level dBW @ Octave Band Hz								Total dB	
			63Hz	125Hz	250Hz	500Hz	1kHz	2kHz	4kHz	8kHz		
SCC250-1EC	10	Inlet	71	74	77	70	64	62	62	61	80	
		Outlet	77	74	76	69	66	64	64	58	81	
	8	Inlet	70	73	76	69	63	61	61	60	79	
		Outlet	73	74	75	68	65	63	63	57	80	
	5	Inlet	61	68	63	55	50	52	53	38	70	
		Outlet	63	68	62	55	53	55	50	42	70	
SCC315-1EC	10	Inlet	74	77	76	69	64	62	60	60	81	
		Outlet	78	75	75	68	66	64	62	59	82	
	8	Inlet	71	74	73	64	60	58	57	58	78	
		Outlet	79	72	72	64	61	61	58	56	81	
	5	Inlet	62	64	58	52	48	47	49	44	67	
		Outlet	64	62	57	52	51	50	49	43	67	
	2	Inlet	50	44	36	33	32	33	34	32	51	
		Outlet	50	41	35	34	34	34	33	32	51	
	SCC350-1EC	10	Inlet	72	77	72	66	63	61	63	65	80
			Outlet	73	75	72	66	64	64	60	62	79
8		Inlet	69	74	68	62	59	58	62	60	77	
		Outlet	70	71	67	62	59	59	59	57	75	
5		Inlet	63	66	58	51	48	53	53	44	69	
		Outlet	70	65	58	51	49	53	51	47	72	
2	Inlet	61	54	43	38	35	34	37	38	62		
	Outlet	75	55	44	37	35	37	37	39	75		
SCC400-1EC	10	Inlet	74	77	74	68	65	63	64	69	81	
		Outlet	77	76	73	69	66	66	64	67	81	
	8	Inlet	73	74	70	64	61	60	63	64	78	
		Outlet	74	73	69	65	61	62	62	62	78	
	5	Inlet	65	64	57	54	51	56	55	41	69	
		Outlet	67	63	56	54	51	55	56	47	69	
	2	Inlet	52	43	35	34	34	37	39	35	53	
		Outlet	53	42	33	35	35	37	40	36	54	
SCC450-1EC	10	Inlet	77	75	75	70	63	65	60	58	81	
		Outlet	83	76	74	73	68	64	61	57	85	
	8	Inlet	74	73	68	64	57	58	56	51	77	
		Outlet	76	72	68	67	61	58	55	48	78	
	5	Inlet	66	64	59	50	45	49	39	37	69	
		Outlet	67	64	59	53	47	46	39	37	69	
	2	Inlet	51	38	35	33	34	39	42	38	52	
		Outlet	51	39	32	34	36	40	43	38	53	

Data provided at standard air density of 1.2 kg/m³.
 Tests and preparation of the sound data have been carried out in accordance with BS 848 Part 2:1985 at 50% peak pressure.
 The Sound Power Level Spectra are in dB re-1pW.

Sound Data

Single Phase 220V to 277V / 50Hz or 60Hz

Product Code	Control Voltage V		Sound Power Level dBW @ Octave Band Hz								Total dB
			63Hz	125Hz	250Hz	500Hz	1kHz	2kHz	4kHz	8kHz	
SCC500-1EC	10	Inlet	83	81	77	74	65	65	67	63	86
		Outlet	82	80	75	75	73	71	69	63	86
	8	Inlet	79	76	71	67	59	62	62	55	81
		Outlet	79	74	70	69	67	65	63	56	81
	5	Inlet	69	65	58	54	50	53	40	37	71
		Outlet	68	64	58	55	54	53	44	38	70
2	Outlet	46	37	41	42	28	28	30	35	49	
SCC560-1EC	10	Inlet	78	77	72	69	63	64	60	64	82
		Outlet	80	76	73	72	69	64	63	61	83
	8	Inlet	75	73	67	63	55	56	58	59	78
		Outlet	76	73	69	66	62	58	57	55	79
	5	Inlet	66	61	54	49	44	52	49	36	68
		Outlet	67	60	56	51	47	54	45	37	68
2	Inlet	56	39	44	33	28	32	31	36	56	
2	Outlet	55	41	47	36	29	32	31	36	56	
SCC630-1EC	10	Inlet	80	77	72	69	63	61	62	62	83
		Outlet	82	77	73	72	67	62	61	59	84
	8	Inlet	74	72	66	62	56	54	59	48	77
		Outlet	76	71	68	65	61	55	56	47	78
	5	Inlet	65	61	53	48	45	47	35	36	67
		Outlet	65	61	56	51	49	43	35	36	67

Data provided at standard air density of 1.2 Kg/m³.
 Tests and preparation of the sound data have been carried out in accordance with BS 848 Part 2:1985 at 50% peak pressure.
 The Sound Power Level Spectra are in dB re-1pW.

VIPER SCC



Sound Data

Three Phase 380V to 480V / 50Hz or 60Hz

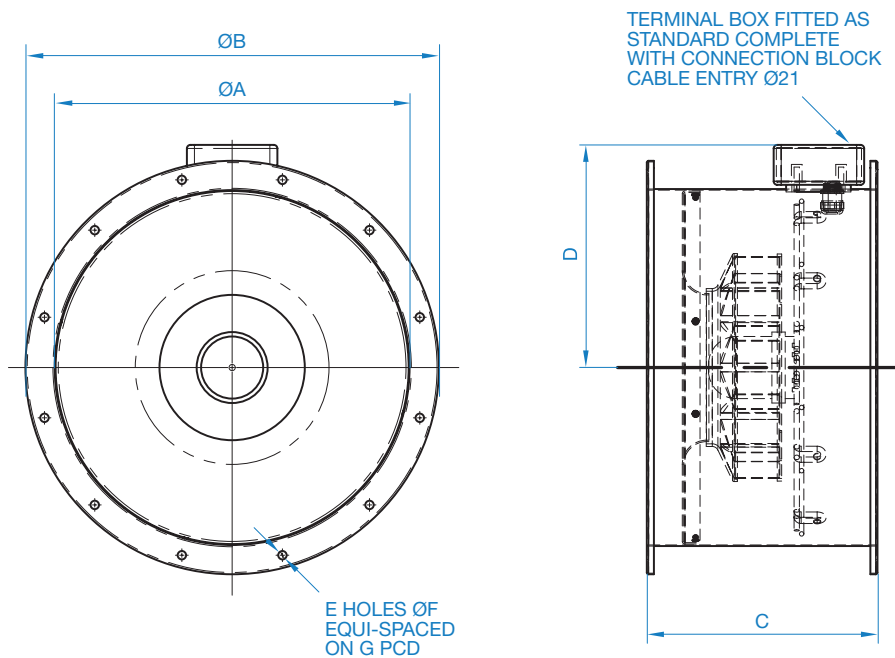
Product Code	Control Voltage V		Sound Power Level dBW @ Octave Band Hz								Total dB
			63Hz	125Hz	250Hz	500Hz	1kHz	2kHz	4kHz	8kHz	
SCC630-3EC	10	Inlet	84	82	79	74	70	68	66	64	87
		Outlet	87	82	79	79	75	69	67	63	89
	8	Inlet	80	78	72	67	64	62	60	57	83
		Outlet	82	76	73	72	69	62	61	56	84
	5	Inlet	70	66	58	54	50	52	46	39	72
		Outlet	71	64	61	57	52	53	45	39	72
	2	Inlet	48	38	38	40	36	37	32	37	50
		Outlet	49	38	47	39	35	37	32	37	52

Data provided at standard air density of 1.2 kg/m³.
 Tests and preparation of the sound data have been carried out in accordance with BS 848 Part 2:1985 at 50% peak pressure.
 The Sound Power Level Spectra are in dB re-1pW.

Dimensional Data

Single & Three Phase

Product Code	A	B	C	D	E	F	G	Weight kg
SCC250	257	306	200	164	8	7	286	6
SCC315	317	382	220	192	8	10	356	8
SCC350	356	421	260	211	8	10	395	10
SCC400	400	466	260	243	12	10	438	11
SCC450	450	521	300	268	12	10	487	18
SCC500	503	575	450	294	12	11	541	27
SCC560	560	641	450	327	16	12	606	31
SCC630	630	709	450	361	16	12	674	35



Dimensions are in mm.

REV2 01/05/2018

A	B	C*			D	E	F	G	H	I	J	K	L	N	O	P	Q	R	S
		C.1	C.2	C.3															
Elta Fans Ltd	SCC250-1AC	NRVU	UVU	2018	MSD	None	n/a	0.08	0.052	n/a	1.63	191	n/a	23.7	<5	n/a	n/a	40	www.eltafans.com
Elta Fans Ltd	SCC315-1AC	NRVU	UVU	2018	MSD	None	n/a	0.12	0.136	n/a	1.54	328	n/a	30.1	<5	n/a	n/a	49	www.eltafans.com
Elta Fans Ltd	SCC350-1AC	NRVU	UVU	2018	MSD	None	n/a	0.209	0.262	n/a	2.17	429.5	n/a	34.3	<5	n/a	n/a	52	www.eltafans.com
Elta Fans Ltd	SCC400-1AC	NRVU	UVU	2018	MSD	None	n/a	0.248	0.27	n/a	1.98	414.2	n/a	38	<5	n/a	n/a	48	www.eltafans.com
Elta Fans Ltd	SCC450-1AC	NRVU	UVU	2018	MSD	None	n/a	0.26	0.139	n/a	1.63	159	n/a	30.1	<5	n/a	n/a	44	www.eltafans.com
Elta Fans Ltd	SCC500-1AC	NRVU	UVU	2018	MSD	None	n/a	0.423	0.257	n/a	2.15	230	n/a	37.8	<5	n/a	n/a	43	www.eltafans.com
Elta Fans Ltd	SCC560-1AC	NRVU	UVU	2018	MSD	None	n/a	0.68	0.468	n/a	2.76	267	n/a	38.5	<5	n/a	n/a	47	www.eltafans.com
Elta Fans Ltd	SCC630-1AC	NRVU	UVU	2018	MSD	None	n/a	0.86	0.542	n/a	2.76	254	n/a	39.7	<5	n/a	n/a	52	www.eltafans.com
Elta Fans Ltd	SCC250-1EC	NRVU	UVU	2018	Variable-Speed	None	n/a	0.13	0.167	n/a	2.65	544	n/a	42.8	<5	n/a	n/a	52	www.eltafans.com
Elta Fans Ltd	SCC315-1EC	NRVU	UVU	2018	Variable-Speed	None	n/a	0.19	0.172	n/a	2.44	372	n/a	40.2	<5	n/a	n/a	52	www.eltafans.com
Elta Fans Ltd	SCC350-1EC	NRVU	UVU	2018	Variable-Speed	None	n/a	0.21	0.169	n/a	2.18	351	n/a	44.1	<5	n/a	n/a	51	www.eltafans.com
Elta Fans Ltd	SCC400-1EC	NRVU	UVU	2018	Variable-Speed	None	n/a	0.22	0.167	n/a	1.75	333	n/a	50.5	<5	n/a	n/a	53	www.eltafans.com
Elta Fans Ltd	SCC450-1EC	NRVU	UVU	2018	Variable-Speed	None	n/a	0.426	0.372	n/a	2.68	387.8	n/a	49.6	<5	n/a	n/a	52	www.eltafans.com
Elta Fans Ltd	SCC500-1EC	NRVU	UVU	2018	Variable-Speed	None	n/a	0.647	0.833	n/a	3.29	599.5	n/a	50.9	<5	n/a	n/a	55	www.eltafans.com
Elta Fans Ltd	SCC560-1EC	NRVU	UVU	2018	Variable-Speed	None	n/a	0.754	0.719	n/a	3.06	452.2	n/a	52.1	<5	n/a	n/a	51	www.eltafans.com
Elta Fans Ltd	SCC630-1EC	NRVU	UVU	2018	Variable-Speed	None	n/a	0.814	0.678	n/a	2.61	385.7	n/a	51	<5	n/a	n/a	51	www.eltafans.com
Elta Fans Ltd	SCC630-3EC	NRVU	UVU	2018	Variable-Speed	None	n/a	1.011	1.35	n/a	3.24	642.3	n/a	51.9	<5	n/a	n/a	57	www.eltafans.com

- A** Manufacturer's Name
- B** Model Identifier
- C.1** RVU or NRVU
- C.2** UVU or BVU
- C.3** ErP Compliance
- D** Type of Drive (MSD or VSD)
- E** Type of HRS (Run Around or Other or None)
- F** Thermal Efficiency (% or N/A)
- G** Nominal Flow Rate (m³/s)
- H** Effective Electrical Power Input (kW)
- I** SFP Int (W/m³/s)
- J** Face Velocity (m/s)
- K** Nominal External Pressure (Pa)
- L** Internal Pressure Drop of Ventilation Components (Pa)
- N** Static Efficiency of Fan Used 327/2011
- O** Maximum External Leakage Rate (%)
- P** Energy Classification of Filters
- Q** Description of Visual Filter warning
- R** Casing Sound Power Level (LWA)
- S** Website for Disassembly Instructions

* Declared Typology C

Single Phase

Product Code	Ancillary Pack*	AV Mounts (set of 4)	Flanged Silencer 1D Unpodded	Flanged Silencer 2D Unpodded	Impeller Side Guard	Powder Coated Matching Flanges (each)
SCC250-1AC	APK250SCD/001	062-001	068-0250-1DENP	068-0250-2DENP	078C-0250-C	061A-0250-C
SCC315-1AC	APK315SCD/001	062-001	068-0315-1DENP	068-0315-2DENP	078C-0315-C	061A-0315-C
SCC350-1AC	APK350SCD/001	062-001	068-0350-1DENP	068-0350-2DENP	078C-0350-C	061A-0350-C
SCC400-1AC	APK400SCD/001	062-001	068-0400-1DENPC	068-0400-2DENPC	078C-0400-C	061A-0400-C
SCC450-1AC	APK450SCD/001	062-001	068-0450-1DENPC	068-0450-2DENPC	078C-0450-C	061A-0450-C
SCC500-1AC	APK500SCD/002	062-002	068-0500-1DENPC	068-0500-2DENPC	078C-0500-C	061A-0500-C
SCC560-1AC	APK560SCD/002	062-002	068-0560-1DENPC	068-0560-2DENPC	078C-0560-C	061A-0560-C
SCC630-1AC	APK630SCD/002	062-002	068-0630-1DENPC	068-0630-2DENPC	078C-0630-C	061A-0630-C

Product Code	Powder Coated Mounting Feet (each)	Standard Ambient Flexible Connectors (each)	Transformer Controller	Wall Cowl	Wiring Diagram
SCC250-1AC	060A-0250-C	063-0250-MAN150	149-TC12	SWC25/31	152-177
SCC315-1AC	060A-0315-C	063-0315-MAN150	149-TC12	SWC25/31	152-177
SCC350-1AC	060A-0350-C	063-0350-MAN150	149-TC12	SWC35/40	152-177
SCC400-1AC	060A-0400-C	063-0400-MAN150	149-TC12	SWC35/40	152-177
SCC450-1AC	060A-0450-C	063-0450-MAN150	149-TC12	SWC45/50	152-177
SCC500-1AC	060A-0500-C	063-0500-MAN150	149-TC12	SWC45/50	152-104A
SCC560-1AC	060A-0560-C	063-0560-MAN150	149-TC18	SWC56/63	152-104A
SCC630-1AC	060A-0630-C	063-0630-MAN200	149-TC110	SWC56/63	152-104A

* Consists of Flexible Connections, Matching Flanges, AV Mounts and Mounting Feet.

Single Phase

Product Code	Ancillary Pack*	AV Mounts (set of 4)	EC Electronic Controller	Flanged Silencer 1D Unpodded	Flanged Silencer 2D Unpodded	Impeller Side Guard
SCC250-1EC	APK250SCD/001	062-001	149-POT-10	068-0250-1DENP	068-0250-2DENP	078C-0250-C
SCC315-1EC	APK315SCD/001	062-001	149-POT-10	068-0315-1DENP	068-0315-2DENP	078C-0315-C
SCC350-1EC	APK350SCD/001	062-001	149-POT-10	068-0350-1DENP	068-0350-2DENP	078C-0350-C
SCC400-1EC	APK400SCD/001	062-001	149-POT-10	068-0400-1DENPC	068-0400-2DENPC	078C-0400-C
SCC450-1EC	APK450SCD/001	062-001	149-POT-10	068-0450-1DENPC	068-0450-2DENPC	078C-0450-C
SCC500-1EC	APK500SCD/002	062-002	149-POT-10	068-0500-1DENPC	068-0500-2DENPC	078C-0500-C
SCC560-1EC	APK560SCD/002	062-002	149-POT-10	068-0560-1DENPC	068-0560-2DENPC	078C-0560-C
SCC630-1EC	APK630SCD/002	062-002	149-POT-10	068-0630-1DENPC	068-0630-2DENPC	078C-0630-C

Product Code	Powder Coated Matching Flanges (each)	Powder Coated Mounting Feet (each)	Standard Ambient Flexible Connectors (each)	Wall Cowl	Wiring Diagram
SCC250-1EC	061A-0250-C	060A-0250-C	063-0250-MAN150	SWC25/31	152-00036
SCC315-1EC	061A-0315-C	060A-0315-C	063-0315-MAN150	SWC25/31	152-00036
SCC350-1EC	061A-0350-C	060A-0350-C	063-0350-MAN150	SWC35/40	152-00036
SCC400-1EC	061A-0400-C	060A-0400-C	063-0400-MAN150	SWC35/40	152-00036
SCC450-1EC	061A-0450-C	060A-0450-C	063-0450-MAN150	SWC45/50	152-00298951
SCC500-1EC	061A-0500-C	060A-0500-C	063-0500-MAN150	SWC45/50	152-MOEA03K1
SCC560-1EC	061A-0560-C	060A-0560-C	063-0560-MAN150	SWC56/63	152-MOEA03K1
SCC630-1EC	061A-0630-C	060A-0630-C	063-0630-MAN200	SWC56/63	152-MOEA03K1

* Consists of Flexible Connections, Matching Flanges, AV Mounts and Mounting Feet.

Three Phase

Product Code	Ancillary Pack*	AV Mounts (set of 4)	EC Electronic Controller	Flanged Silencer 1D Unpodded	Flanged Silencer 2D Unpodded
SCC630-3EC	APK630SCD/002	062-002	149-POT-10	068-0630-1DENPC	068-0630-2DENPC

Product Code	Impeller Side Guard	Powder Coated Matching Flanges (each)	Powder Coated Mounting Feet (each)	Standard Ambient Flexible Connectors (each)	Wall Cowl	Wiring Diagram
SCC630-3EC	078C-0630-C	060A-0630-C	061A-0630-C	063-0630-MAN200	SWC56/63	152-MOEA03K3

* Consists of Flexible Connections, Matching Flanges, AV Mounts and Mounting Feet.
For full accessories & controls information please visit eltafans.com

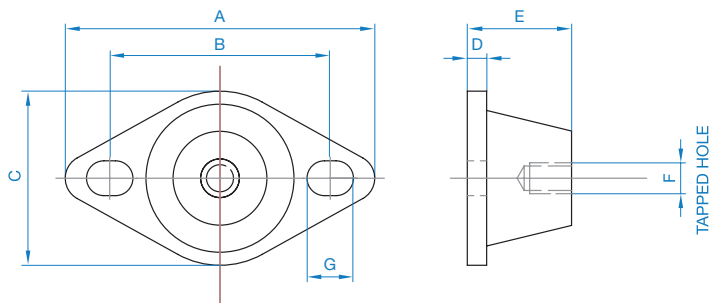
AV MOUNTS

Accessories



- Fits directly to mounting feet
- Rubber with steel insert
- Supplied as set of 4, complete with fixings

Product Code	A	B	C	D	E	F	G	Weight kg
062-001	64	50	43	5.5	20	M6	Ø7	0.040
062-002	64	50	43	5.5	20	M6	Ø7	0.040



Dimensions are in mm.

EC ELECTRONIC CONTROLLER

Accessories

- EC Type fans
- Variable Speed Drives (Inverters)



Product Code
149-POT-10

FLANGED SILENCER

Overview



- Ideal for bolting directly to fan flange
- Ideal for all axial fans
- Ideal for cross talk elimination
- Ideal for flexible or spiral ducting

Overview

Elta Fans are able to provide 2 types of cylindrical silencers as standard; Type DENP (without pod) and DEP (with pod), these are categorised as follows; Compact Silencers (ENP / EP), Standard Silencers (ENP / EP / Melinex).

Construction

Both types are rigidly constructed in galvanised sheet steel, with a highly absorbent sound attenuating lining between the outer casing and the inner perforated steel lining. The end faces of the silencer has a series of threaded holes for direct mounting to the fixing flange/flexible collar. The EP (podded versions) will provide an improved level of attenuation. The inner acoustic pod is constructed from perforated steel sheet with a sound absorbent infill.

Melinex lined silencers must be used to prevent grease impregnation into the acoustic media for kitchen extract applications as prescribed in DW/172 HVAC Specification For Kitchen Ventilation Systems. For Melinex insertion losses, please contact Elta Fans. Silencers can be provided with differing lengths: 1D = 1 times diameter, 2D = 2 times diameter. The Velocity through podded silencer should not exceed 15m/s.

Silencer Attenuation

To determine the sound level of a fan fitted with a silencer, the dynamic insertion loss should be subtracted from the sound power level spectrum (dBW) of the fan. This should be done for the entire octave band mid-frequency spectrum. The fan dBW ratings and silencer attenuation apply equally to in duct applications, with a silencer connected between the fan and the duct system.

Dynamic Insertion Loss

The silencer attenuation is defined as the “dynamic insertion loss”. The values quoted in the tables represent the difference between the sound power level of a fan and silencer combination (dBW) and that of the fan alone (dBW). The dynamic insertion losses shown are the attenuations recorded under ideal working conditions. The achieved attenuation will vary according to the air velocity and flow pattern in the airways. Noise regeneration can occur at higher velocities, especially in EP silencers.

Square / Rectangular Silencers

In highly noise sensitive areas, where the circular silencers cannot achieve the necessary attenuation levels, Elta can design and build optional splitter silencers for greater effect.

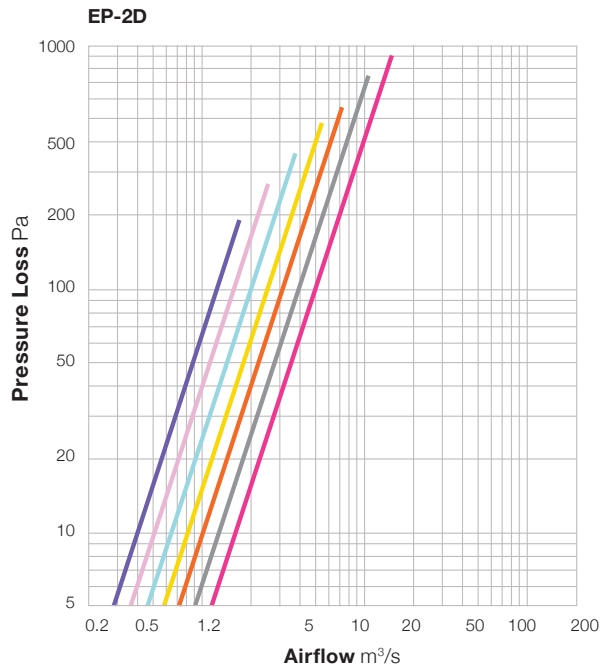
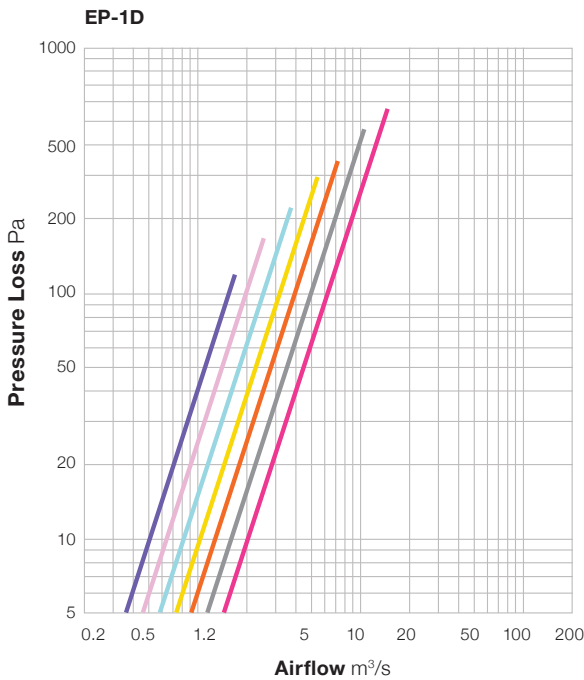
FLANGED SILENCER

Dynamic Insertion Loss & Pressure Graphs

Dynamic Insertion Loss

Fan Size	Silencer Length	Silencer Type	Insertion Loss @ Octave Band (Hz)							
			63	125	250	500	1k	2k	4k	8k
0250	1D	ENP	-2	-5	-6	-9	-13	-11	-6	-6
		EP	-4	-6	-8	-11	-14	-16	-11	-10
	2D	ENP	-4	-7	-10	-15	-19	-16	-12	-9
		EP	-7	-10	-15	-16	-15	-17	-13	-13
0315-0560	1D	ENP	-2	-5	-6	-9	-13	-11	-6	-6
		EP	-4	-6	-8	-11	-18	-19	-17	-14
	2D	ENP	-4	-8	-12	-17	-23	-17	-12	-10
		EP	-7	-10	-12	-21	-26	-26	-24	-22
0630	1D	ENP	-3	-4	-9	-15	-15	-8	-7	-6
		EP	-4	-6	-8	-17	-23	-20	-18	-10
	2D	ENP	-6	-8	-13	-22	-22	-13	-12	-9
		EP	-8	-11	-16	-27	-32	-31	-29	-19

Podded Silencers Pressure Graphs



- Sizes**
- 315
 - 350
 - 400
 - 450
 - 500
 - 560
 - 630

For Q250 podded pressure losses, please contact Elta Fans.

FLANGED SILENCER

Dimensional Data

Silencer 1DENPC Unpodded

Product Code	Fan Dia	A	B	C	D	E	Weight kg
068-0400-1DENPC	400	400	500	12	M8	438	13
068-0450-1DENPC	450	450	602	12	M8	487	15
068-0500-1DENPC	500	500	652	12	M8	541	18
068-0560-1DENPC	560	560	712	16	M10	605	22
068-0630-1DENPC	630	630	782	16	M10	674	26

Silencer 2DENPC Unpodded

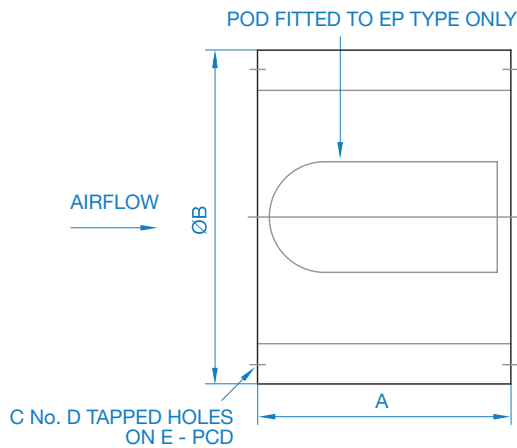
Product Code	Fan Dia	A	B	C	D	E	Weight kg
068-0400-2DENPC	400	800	500	12	M8	438	22
068-0450-2DENPC	450	900	602	12	M8	487	27
068-0500-2DENPC	500	1000	652	12	M8	541	32
068-0560-2DENPC	560	1120	712	16	M10	605	39
068-0630-2DENPC	630	1260	782	16	M10	674	48

Silencer 1DENP Unpodded

Product Code	Fan Dia	A	B	C	D	E	Weight kg
068-0250-1DENP	250	250	350	8	M8	299	7
068-0315-1DENP	315	315	416	8	M8	355	9
068-0350-1DENP	350	350	452	8	M8	395	11

Silencer 2DENP Unpodded

Product Code	Fan Dia	A	B	C	D	E	Weight kg
068-0250-2DENP	250	500	350	8	M8	299	11
068-0315-2DENP	315	630	416	8	M8	355	15
068-0350-2DENP	350	700	452	8	M8	395	18

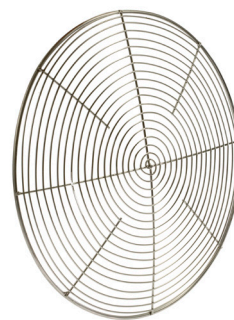


Dimensions are in mm.

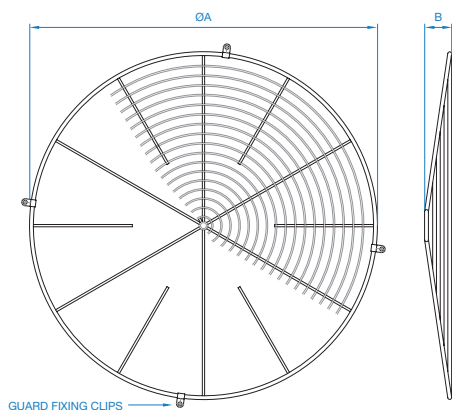
IMPELLER SIDE GUARD

Accessories

- Powder coated polyester epoxy paint finish in RAL 7040 (Window Grey)
- Fix with clips & screw provided



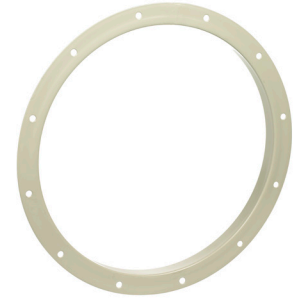
Product Code	Fan Dia.	A	B	Weight kg
078C-0250-C	250	270	18	0.9
078C-0315-C	315	335	21	1.1
078C-0350-C	350	370	23	1.4
078C-0400-C	400	420	26	1.6
078C-0450-C	450	470	29	1.8
078C-0500-C	500	520	32	2.2
078C-0560-C	560	585	32	2.5
078C-0630-C	630	655	40	2.6



Dimensions are in mm.

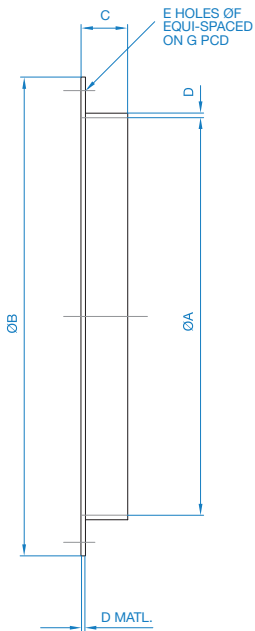
POWDER COATED MATCHING FLANGES

Accessories



- Fits directly to fan case flange
- Provides easy connection to flexible connector or ducting
- Powder coated steel (pastel beige, RAL 7032)

Product Code	Fan Dia. A	B	C	D	E	F	G	Weight kg
061A-0250-C	250	306	30	1.6	8	7.5	286	0.5
061A-0315-C	315	382	30	1.6	8	9.5	356	0.7
061A-0350-C	350	421	30	1.6	8	9.5	395	1.0
061A-0400-C	400	466	40	1.6	12	9.5	438	1.2
061A-0450-C	450	515	40	1.6	12	9.5	487	2.2
061A-0500-C	500	567	45	1.6	12	9.5	541	2.6
061A-0560-C	560	636	45	1.6	16	11.5	605	3.0
061A-0630-C	630	709	45	1.6	16	11.5	674	3.5



Dimensions are in mm.

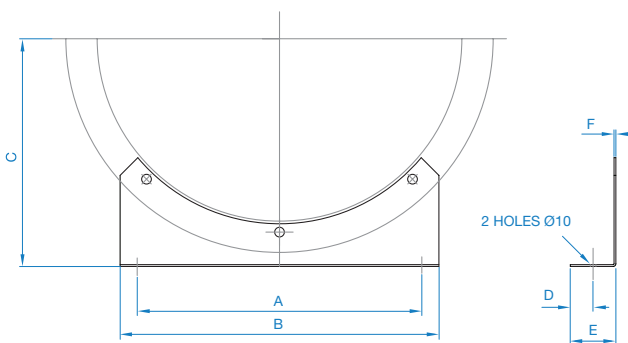
POWDER COATED MOUNTING FEET

Accessories



- For free standing mounting of ducted fans
- Fixes directly to fan case flange
- Powder coated steel (pastel beige, RAL 7032)
- Supplied individually, less fixings

Product Code	Fan Dia.	A	B	C	D	E	F	Weight kg
060A-0250-C	250	200	230	170	20	40	1.6	0.9
060A-0315-C	315	250	280	200	20	40	2.0	1.0
060A-0350-C	350	280	310	225	20	40	2.0	1.3
060A-0400-C	400	220	250	250	20	40	2.0	1.5
060A-0450-C	450	240	275	275	20	40	2.0	2.0
060A-0500-C	500	280	315	315	25	50	2.5	2.5
060A-0560-C	560	320	355	355	25	50	2.5	4.0
060A-0630-C	630	360	400	400	25	50	2.5	5.0



Dimensions are in mm.

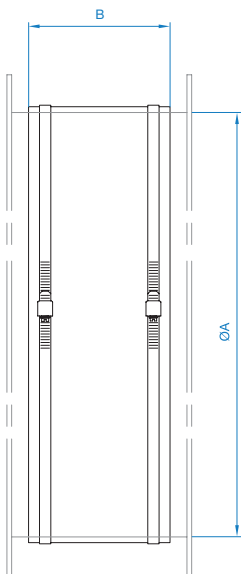
STANDARD AMBIENT FLEXIBLE CONNECTOR

Accessories

- Fit to matching flanges to provide flexible connection
- PVC coating polyester
- Supplied with plated steel band fixings
- Alternative material available to order
- Suitable for temperature between -30°C and +70°C



Product Code	Fan Dia. A	B	Weight kg
063-0250-MAN150	250	150	0.5
063-0315-MAN150	315	150	0.6
063-0350-MAN150	350	150	0.7
063-0400-MAN150	400	150	0.9
063-0450-MAN150	450	150	1.1
063-0500-MAN150	500	150	1.2
063-0560-MAN150	560	150	1.3
063-0630-MAN200	630	200	1.4



Dimensions are in mm.

TRANSFORMER CONTROLLER

Accessories

- IP40 enclosure
- Five speed stepped control
- Illuminated on/off switch (single phase units only)
- Fitted Motor Protection type D MCB (single phase units only)
- Suitable for operating temperatures up to 40°C
- Ideal for environments where noise is a primary consideration as these controls do not create magnetic hum associated with some step-less forms of speed control



Features & Benefits

A range of transformer voltage controllers used to provide five speed step control of single phase or three phase motors where the peak current of the motor does not exceed the rating of the controller. Speed control is via selector switch. Single phase units are complete with illuminated on/off switch.

Single Phase 220V to 240V / 50Hz

Product Code	Max Peak Current Amps	Weight kg	IP Rating
149-TC12	2	3	IP40
149-TC18	8	6	IP40
149-TC110	10	7	IP40

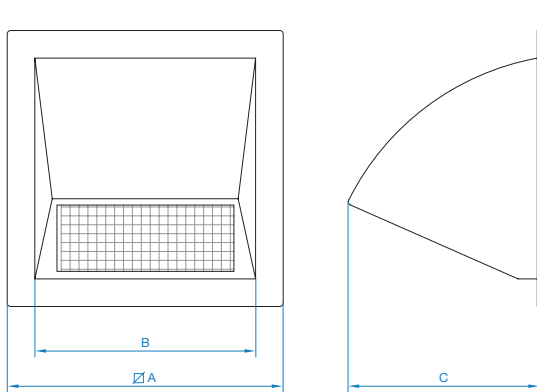
WALL COWL

Accessories

- Protects fan openings prevailing weather conditions
- Minimises resistance to airflow
- Manufactured from GRP - colour (goose wing grey) impregnated into gel coat
- Complete with integral bird screen (galvanised mesh)



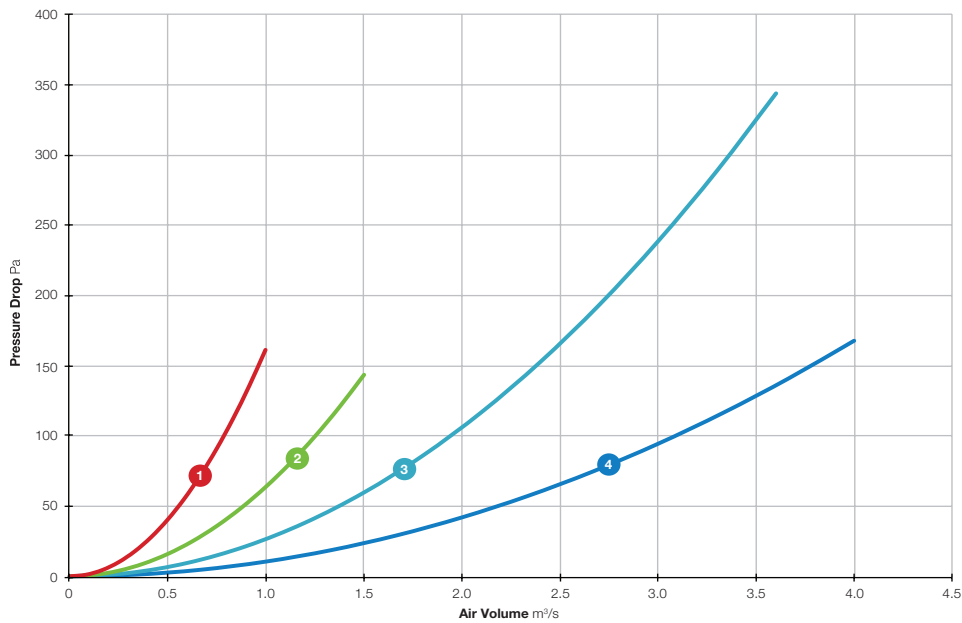
Product Code	A	B	C	Grille Area m ²	Weight kg
SWC25/31	500	410	325	0.088	2
SWC35/40	610	510	390	0.140	3
SWC45/50	755	645	470	0.217	7
SWC56/63	935	815	555	0.345	10



Dimensions are in mm.

WALL COWL

Cowl Pressure Drop Curve



- 1 SWC25/31
- 2 SWC35/40
- 3 SWC45/50
- 4 SWC56/63

VIPER SCC

Notes

Building Services

Tel **+44 (0) 1384 275800**
Fax **+44 (0) 1384 275810**
Email **info@eltafans.co.uk**

46 Third Avenue, Pensnett Trading Estate, Kingswinford,
West Midlands, DY6 7US United Kingdom

Applied Technology & Building Services Export

Tel **+44 (0) 1489 566500**
Fax **+44 (0) 1489 566555**
Email **at@eltafans.co.uk / export@eltafans.co.uk**

17 Barnes Wallis Road, Segensworth East Industrial Estate,
Fareham, Hampshire, PO15 5ST United Kingdom

eltafans.com

SCC-03-2018 Issue A



BS EN ISO 9001:2015 FM 556465

