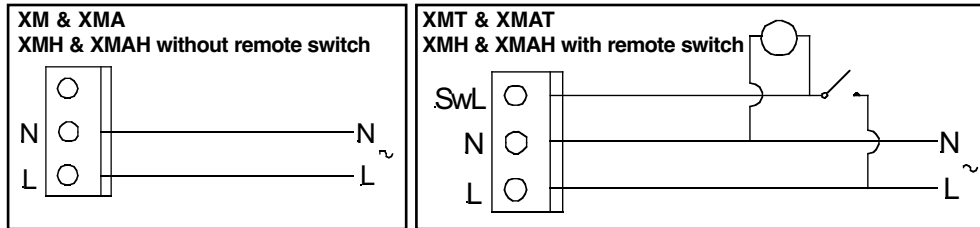


7. Fix the fan housing (B) into position either by:
 - a. using the screws and plugs provided via the 4 holes in the corners of the fan.
 - b. the "quickfit" system into ducting. Loosen screws (F) until clips (G) are hidden in the housing (H), and the fan can be easily fitted into the ducting. Tighten screws until clips (G) are securely fixing the fan in position.
8. Connect the incoming wiring supply as indicated in "Wiring Instructions" below and replace the front cover (A).

WIRING INSTRUCTIONS

1. Ensure that the mains electrical supply is switched off during the installation of the fixed wiring spur.
2. The fan must be connected to a single phase mains power supply network of the voltage and frequency indicated on the rating label.
3. The installation must conform to current Building Regulations and IEE Wiring Regulations.
4. With the front cover (A) removed, use a small screwdriver to open the connection cover (C - Fig 3) and connect incoming cable to terminal block as shown below.
5. Replace front cover (A).



CLEANING AND MAINTENANCE

1. Before carrying out any maintenance or cleaning operation, switch off the fan and disconnect it from the mains power supply.
2. The front cover can be cleaned with a dry cloth.
3. The fan blade can be cleaned with a dry cloth.
4. It is recommended that maintenance should be carried out every six months.
5. Any other maintenance or cleaning should be carried out by suitably qualified personnel.

HOW TO CHECK TIMER AND HUMIDISTAT

TO TEST

1. Disconnect the fan from the mains electricity supply.
2. Remove the front cover of the fan.
3. There are two trimmers on the PC Board. These should be adjusted as follows:
 - a. Turn the **RED (TIMER)** trimmer fully anti-clockwise. The timer is now set at its minimum over-run period (3-5 minutes).
 - b. Turn the **BLUE (HUMIDISTAT)** trimmer fully clockwise. The humidistat is now set at its least sensitive.
4. Reconnect the electricity supply - the fan should not run.

TO RE-SET

5. Disconnect the fan from the mains electricity supply again
6. Turn the **(BLUE)** trimmer anti-clockwise a quarter turn. This will re-set the humidistat at 65% relative humidity (which is the recommended setting to stop mould growing).
7. Reconnect the electricity supply
8. If the level of humidity in the room is more than 65% the fan will operate automatically via the humidistat. If is less than 65% the fan will not operate.

N.B The humidistat in the fan is very sensitive and may cause it to operate even if humidity is not apparent to you. The **TIMER** will cause the fan to operate for the over-run period after the relative humidity has returned to less than 65% to ensure that the humidity is properly cleared

Vectaire Ltd, Lincoln Road, Cressex Business Park, High Wycombe, Buckinghamshire, HP12 3RH
Tel: +44 (0)1494 522333. Fax: +44 (0)1494 522337. Email: sales@vectaire.co.uk

"X-MART"

Deluxe Axial Fans



Installation Instructions

- **36 models**
- **3 sizes**
- **for toilets, bathrooms, shower-rooms, utility rooms and kitchens**
- **wall, ceiling or window installation**
- **standard**
- **timer**
- **humidity control**
- **white or stainless steel finish**

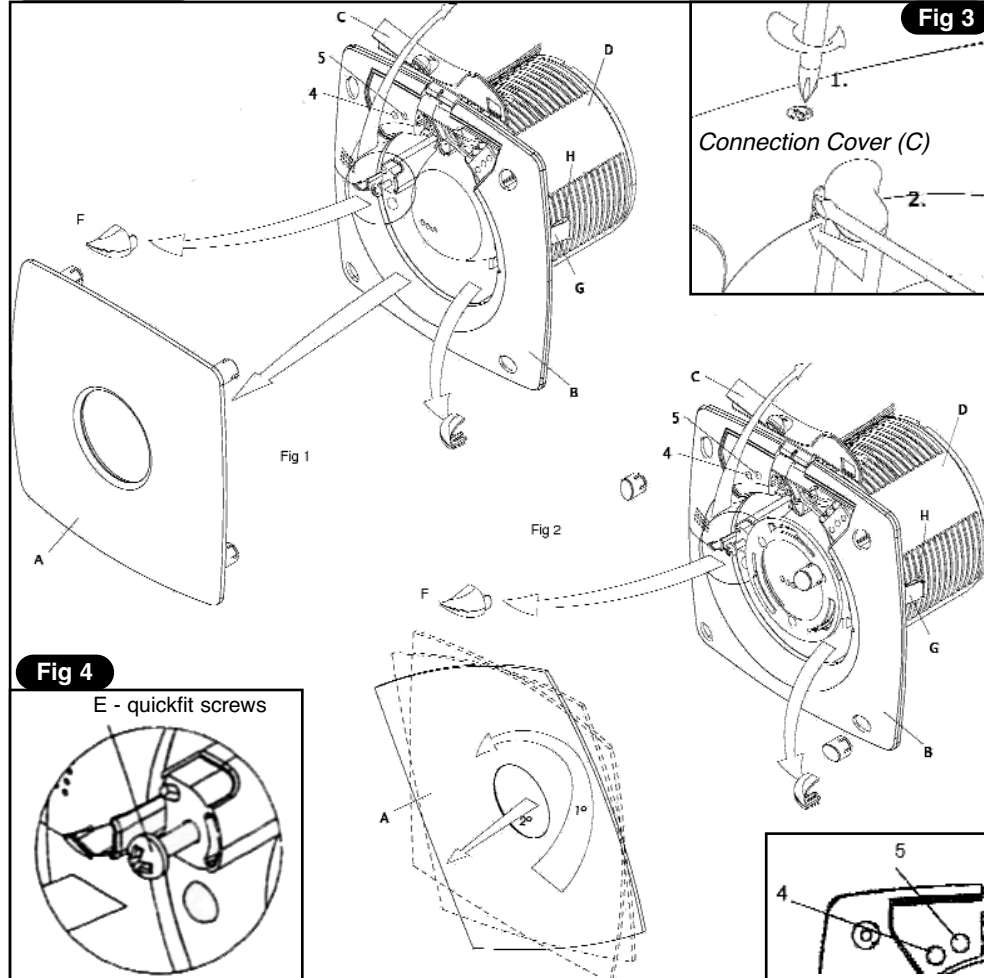


CE IPX4

PLEASE READ THE FOLLOWING INSTRUCTIONS VERY CAREFULLY BEFORE USING THE PRODUCT. THE MANUFACTURER WILL NOT BE HELD RESPONSIBLE AND DECLINES ANY AND ALL LIABILITY FOR DAMAGE CAUSED TO PERSONS OR PROPERTY DUE TO IMPROPER USE WITH REFERENCE TO THE PRECAUTIONS OUTLINED IN THIS MANUAL.

THIS MANUAL MUST ALWAYS BE READILY AVAILABLE.

Figs 1 and 2 Fan Exploded Diagram



A. Front cover	D. Spigot	G. Clips
B. Housing	E. Quickfit screws	4. Timer trimmer
C. Connection cover	F. Screw covers	5. Humidity control trimmer
	H. Housing	

THE RANGE

XM10, XM12, XM15, XM10SS, XM12SS, XM15SS: ("A" with automatic front shutter) 4"/10cm, 5"/12cm and 6"/15cm white or stainless steel.

XM10T, XM12T, XM15T, XM10TSS, XM12TSS, XM15TSS: ("A" with automatic front shutter) 4"/10cm, 5"/12cm and 6"/15cm white or stainless steel and integral overrun timer - the fan should be operated by a remote switch which can also serve to switch the room light on and off. After the light is switched off, the fan will continue to operate for a minimum of 3 minutes (adjustable to a maximum of 15 minutes by turning the red trimmer (4) in a clockwise direction).

XM10H, XM12H, XM15H, XM10HSS, XM12HSS, XM15HSS: ("A" with automatic front shutter) 4"/10cm, 5"/12cm and 6"/15cm white or stainless steel, integral humidistat and overrun timer - the adjustable, electronic humidistat is pre-set so that the fan will operate automatically when the moisture content in the room reaches a pre-set level of relative humidity. The fan will continue to run until the relative humidity falls below the pre-set level. This level can be adjusted by turning the blue trimmer (5) on the fan. This fan can be operated by a remote switch allowing operation of the fan independently of the humidistat (the neon indicator on the front will light when the fan is operating in this mode). The overrun timer which will **always** make the fan continue to operate for the pre-set length of time even after it has been manually switched off, can be adjusted as described above.

All fans are 230v: 10cm/12cm/15cm sizes are respectively 15/20/25w with an extract capacity of 98/190/320m³/hr (27/53/89 litres/second), pressure of 3/5/8mm H₂O and a 37/39/41 dbA level. They are all splashproof to IPX4.

IMPORTANT - SITING INFORMATION

1. For optimum use your fan should be installed at a minimum height of 2.3 metres.
2. The fan must not be used in an ambient temperature higher than 40°C.
3. Your fan must not be exhausted into a duct which is already used for any other purpose.
4. An adequate supply of fresh air must be provided if the fan is to be fitted into a room containing a fuel burning appliance which is not of the balanced flue type.
5. Installation must be carried out by qualified personnel. Incorrect installation can cause damage to people, animals or property for which the manufacturer cannot be held responsible.
6. If you have any doubts concerning this product, please contact your supplier.

IMPORTANT - ELECTRICAL INFORMATION

1. All electrical connections must comply with current IEE wiring regulations. The fan is a fixed appliance, and the electrical supply must therefore be by a fixed wired and fused (3 amp) spur incorporating a double pole switch with contact openings of at least 3mm. Use twin conductor cable of at least 1mm³ in section.
2. Your fan is double insulated and does not require earthing.
3. The fan complies with current electrical safety regulations, including EEC Directive EMC89/336 concerning the suppression of radio interference and electromagnetic compatibility.
4. It is recommended that the installation be carried out by a qualified electrician.
5. The printed circuit board in these fans has been protected to make it compatible with the majority of fluorescent fittings available on the market today. However, it is impossible to be aware of all new products introduced. We suggest, therefore, that you contact your supplier to establish the compatibility of any fluorescent fittings you intend to use.

INSTALLATION INSTRUCTIONS

1. Remove all packing material and check that your fan has not been damaged in transit.
2. Check that your electrical voltage and frequency correspond with those marked on the fan rating label.
3. Check the location of existing wiring for ease of connection and make the electrical connections as in the following instructions.
4. Cut a 100/120/150mm hole in the wall or ceiling where the fan is to be installed. If necessary allow extra space for any ducting used.
5. Remove the Front Cover (A) (**on the "Automatic" versions this is done by using a gentle, anti-clockwise twisting action**).
6. Fit the spigot (D) into the hole already cut.