

ZAP 1000-83 PLATE AXIAL FAN

Item no. 8271

Document type: **Product card**
 Document date: **2016-09-09**
 Generated by: **Systemair Online Catalogue**

Description

The ZAP range of plate axial fans is based around the Ziehl-Abegg external rotor motor and an aerodynamically designed impeller to provide a very compact, efficient unit. Key features are:-

- Diecast aluminium blades with high efficiency aerofoil blade design
- Maintenance free, sealed-for-life bearings
- Insulation class 'F' and IP54 protection
- Operating range of -40°C to 60°C or 70°C
- TK thermal protection
- 100% speed controllable motor
- Pressed galvanised steel wall plate incorporating full bellmouth
- Corrosion resistant paint in pebble grey RAL7032
- Inlet guard
- IP54 terminal box

Motorside guard is available as an optional accessory.

All ZAP fans are suitable for reverse operating conditions with a reduction in performance



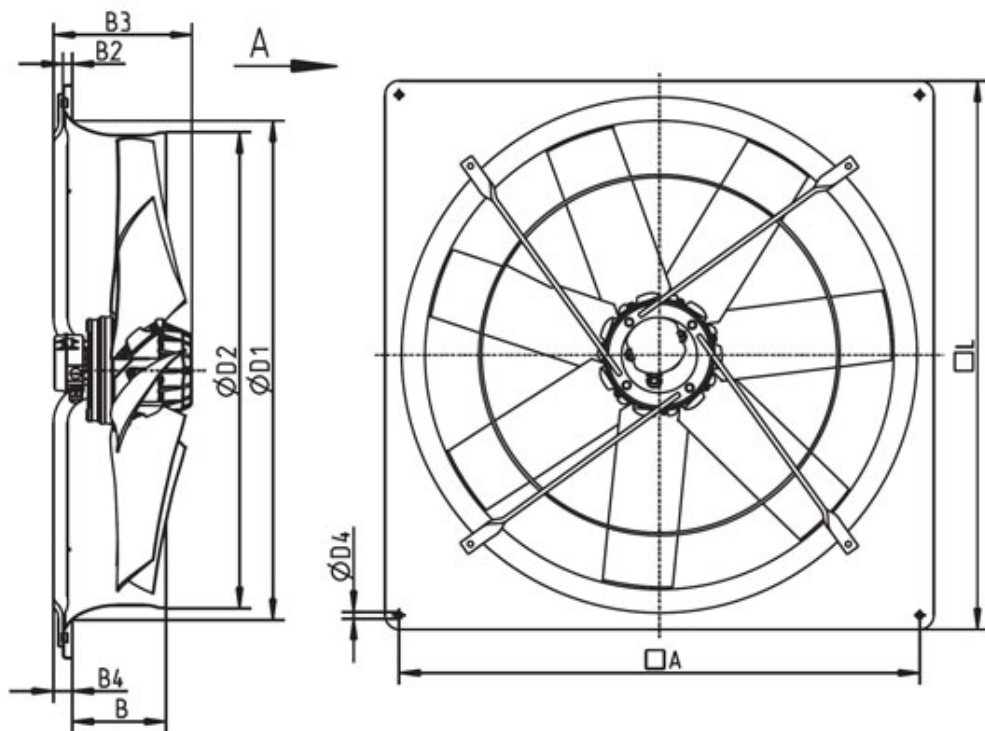
Technical parameters

Voltage	400	V
Frequency	50	Hz
Phase	3	~
Input power (P1)	2200	W
Current	4,2	A
Max. airflow	9639	l/s
R.p.m.	670	r.p.m.
Max. temperature of transported air	70	°C
Max. temperature of transported air when speed-controlled	70	°C
Sound pressure level at 3 m	67	dB(A)
Weight	64	kg
Insulation class	F	
Enclosure class, motor	IP54	IP

Acoustics

Frequency (Hz)	63	125	250	500	1000	2000	4000	8000	16000	dBW Total	dBA Total	dBA @ 3m
Sound Power (dBW)	85	85	84	83	82	79	73	65	60	91	86	66

Dimensions



ZAP 1000-83	B	B2	B3	B4	D1	D2	D4	A	L
	200	20	324	40	1067	1016	14.5	1110	1170

Wiring

106XA

Lufförderrichtung: V
Direction of airflow: V
Drehrichtung: Rechtslauf
Direction of rotation: clockwise

3~ Motor mit einer Drehzahl und Thermostatschalter (falls eingebaut).

3~ motor with one speed and thermostatic switch (if built in).

Moteur triphasé à une vitesse avec interrupteur thermostatique (si incorporé).

U1	braun	brown	brun
V1	blau	blue	bleu
W1	schwarz	black	noir
U2	rot	red	rouge
V2	grau	grey	gris
W2	orange	orange	orangé
TB	weiß	white	blanc

106XA-02

106XB

Lufförderrichtung: A
Direction of airflow: A
Drehrichtung: Linkslauf
Direction of rotation: counter clockwise

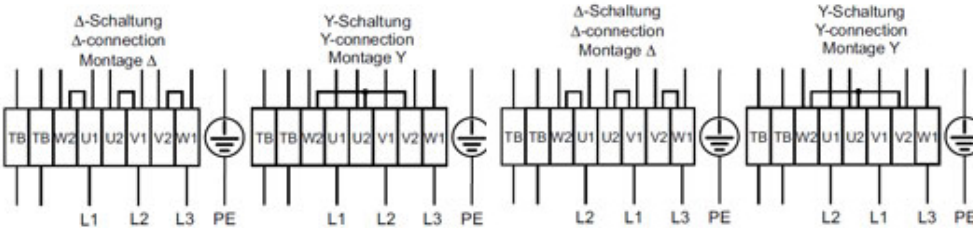
3~ Motor mit einer Drehzahl und Thermostatschalter (falls eingebaut).

3~ motor with one speed and thermostatic switch (if built in).

Moteur triphasé à une vitesse avec interrupteur thermostatique (si incorporé).

U1	braun	brown	brun
V1	blau	blue	bleu
W1	schwarz	black	noir
U2	rot	red	rouge
V2	grau	grey	gris
W2	orange	orange	orangé
TB	weiß	white	blanc

106XB-02



Anschlusschaltbild im Anschlusskasten aufbewahren.
Keep wiring diagram in terminal box.
Conserver le schéma de raccordement dans la boîte à bornes.

Anschlusschaltbild im Anschlusskasten aufbewahren.
Keep wiring diagram in terminal box.
Conserver le schéma de raccordement dans la boîte à bornes.

Accessories

Electric accessories

RTRD 7 speed control Systemair (5943)


Accessories

SG AW 1000 Guard 6/8 Pole(GFC) (7000002)

RAW 1000 Roof Cowl c/w BG (86551)

VK-100 shutter self adj. (9964)

Documentation

 Operating Instruction axial fans L-BAL-001-GB[1].pdf (117,64kB)

Specification text