

ZAP 710-61 PLATE AXIAL FAN

Item no. 8537

Document type: **Product card**
 Document date: **2017-11-09**
 Generated by: **Systemair Online Catalogue**

Description

The ZAP range of plate axial fans is based around the Ziehl-Abegg external rotor motor and an aerodynamically designed impeller to provide a very compact, efficient unit. Key features are:-

- Diecast aluminium blades with high efficiency aerofoil blade design
- Maintenance free, sealed-for-life bearings
- Insulation class 'F' and IP54 protection
- Operating range of -40°C to 60°C or 70°C
- TK thermal protection
- 100% speed controllable motor
- Pressed galvanised steel wall plate incorporating full bellmouth
- Corrosion resistant paint in pebble grey RAL7032
- Inlet guard
- IP54 terminal box

Fitted with motorside guard as standard.

All ZAP fans are suitable for reverse operating conditions with a reduction in performance



Technical parameters

Voltage	230	V
Frequency	50	Hz
Phase	1	~
Input power (P1)	890	W
Current	4.1	A
Max. airflow	4.57	m³/s
R.p.m.	850	r.p.m.
Max. temperature of transported air	60	°C
Max. temperature of transported air when speed-controlled	60	°C
Sound pressure level at 3 m	62	dB(A)
Weight	32	kg
Insulation class	F	
Enclosure class, motor	IP54	IP
Capacitor	16	µF

Accessories

Electric accessories

[RTRE 5 Speed control \(5010\)](#)

[STL 5 Speed controller \(84271\)](#)

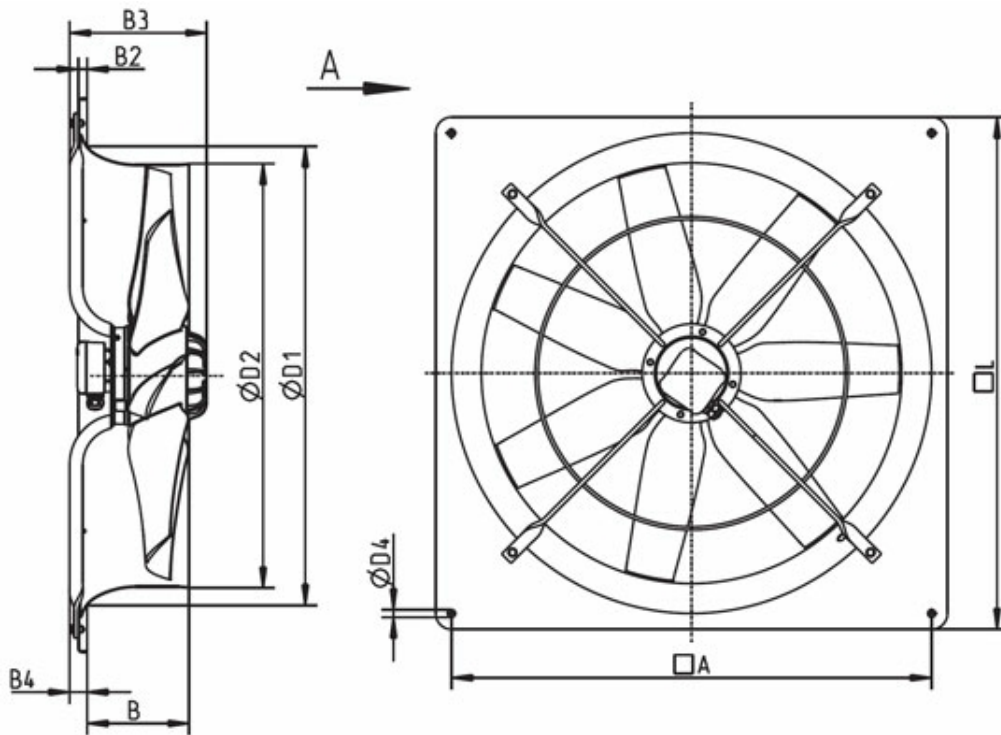
Accessories

[VK-71 Louvre shutter \(5653\)](#)

[RAV 630/710 Roof cowl \(8469\)](#)

[RAW 630/710 Roof Cowl c/w BG \(86531\)](#)

Dimensions



ZAP 710-61	B	B2	B3	B4	D1	D2	D4	A	L
	150	20	244	37	763	720	14.5	810	850

Wiring

104XA

Luftförderrichtung: V
 Direction of airflow: V
 Drehrichtung: Rechtslauf
 Direction of rotation: clockwise

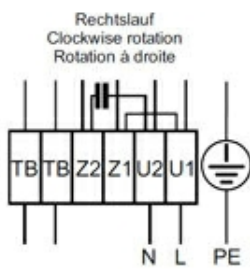
1-Motor mit Kondensator und Thermostatschalter (falls eingebaut).

1-Motor with capacitor and thermostatic switch (if built in).

Moteur monophasé avec condensateur et interrupteur thermostatique (si incorporé).

U1	braun	brown	brun
U2	blau	blue	bleu
Z1	schwarz	black	noir
Z2	orange	orange	orangé
TB	weiß	white	blanc

104XA-02



Anschlusschaltbild im Anschlusskasten aufbewahren.
 Keep wiring diagram in terminal box.
 Conserver le schéma de raccordement dans la boîte à bornes.

104XB

Luftförderrichtung: A
 Direction of airflow: A
 Drehrichtung: Linkslauf
 Direction of rotation: counter clockwise

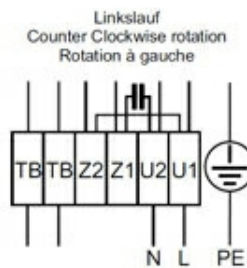
1-Motor mit Kondensator und Thermostatschalter (falls eingebaut).

1-Motor with capacitor and thermostatic switch (if built in).

Moteur monophasé avec condensateur et interrupteur thermostatique (si incorporé).

U1	braun	brown	brun
U2	blau	blue	bleu
Z1	schwarz	black	noir
Z2	orange	orange	orangé
TB	weiß	white	blanc

104XB-02



Anschlusschaltbild im Anschlusskasten aufbewahren.
 Keep wiring diagram in terminal box.
 Conserver le schéma de raccordement dans la boîte à bornes.

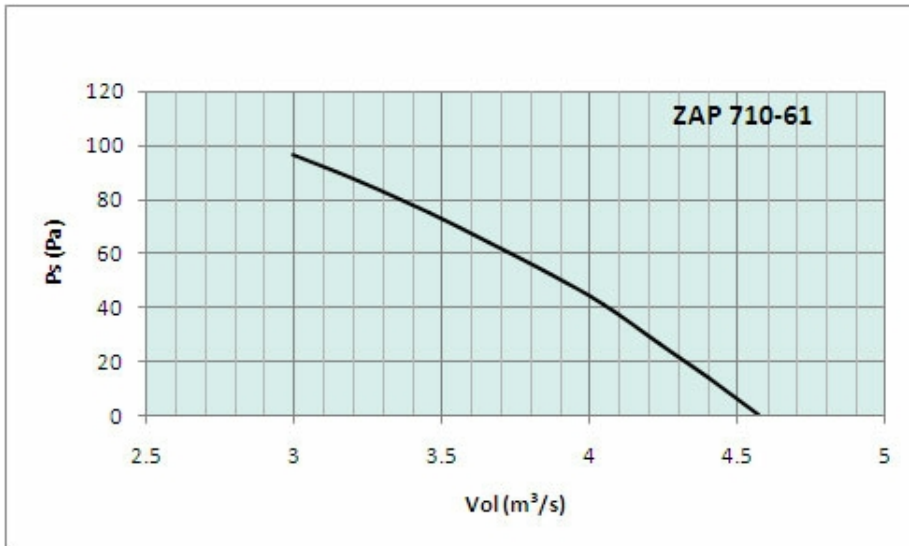
Documentation

Operating Instruction axial fans L-BAL-001-GB[1].pdf (117,64kB)

Acoustics

Frequency (Hz)	63	125	250	500	1000	2000	4000	8000	16000	dBW Total	dBA Total	dBA @ 3m
Sound Power (dBW)	80	77	78	75	76	75	70	64	60	85	81	61

Diagram



Specification text