



Whole house heat recovery unit with a high-efficiency heat exchanger up to 92% setting and very low consumption EC motor.

Provides a constant supply of fresh tempered air into the living spaces of a house.

Domeo can communicate with home automation system via Modbus or other gateway protocols. It also enables management of a pre-heating or post heating electric battery.

To optimise energy consumption and air quality, it can be connected to a CO₂ or humidity sensor and others.

Domeo 210 is fitted with a 100% bypass and it is equipped with F5 or F7 filters at the inlet and with G4 filters at the outlet to protect the heat exchanger.

It includes a remote control to activate the boost function, the bypass and the reset filter alarm.

Versions:

- DOMEO 210 FL: Wired remote control.
- DOMEO 210 RD: Wireless remote control (by radiofrequency). Constant airflow motor.
- DOMEO 210 APP: Remote Control by smartphone app. Constant airflow motor.



Features

- Counter-flow heat exchanger with up to 92% thermal efficiency
- Low-consumption EC motor
- Centrifugal backward curved impeller
- Modbus communication
- EPP body
- Nozzles Ø125 mm
- 100% automatic or manual bypass
- Manual boost mode
- F5 or F7 (optional) inlet filter.
- G4 extract filter



ectechnology

Specific applications



Controller.

Remote control included in the product

Allows regulation of:

- Boost function
- By-pass
- Polluted filters alarm
- Unoccupied mode



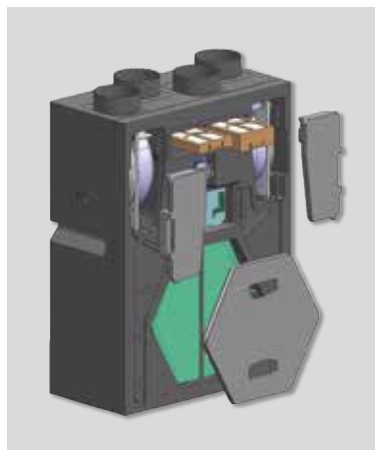
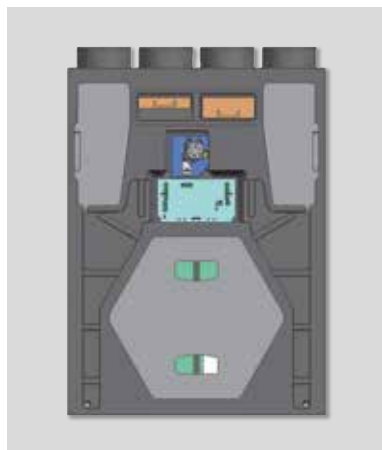
Very compact.

Minimum width and depth.

EASY MAINTENANCE



Easy access to filters.

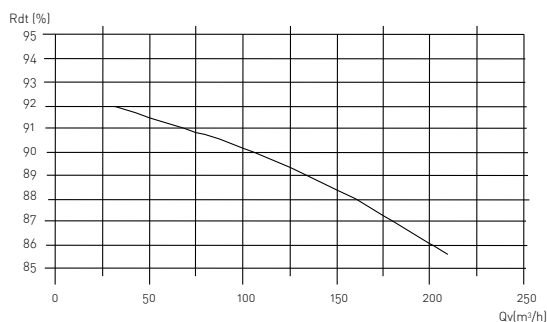
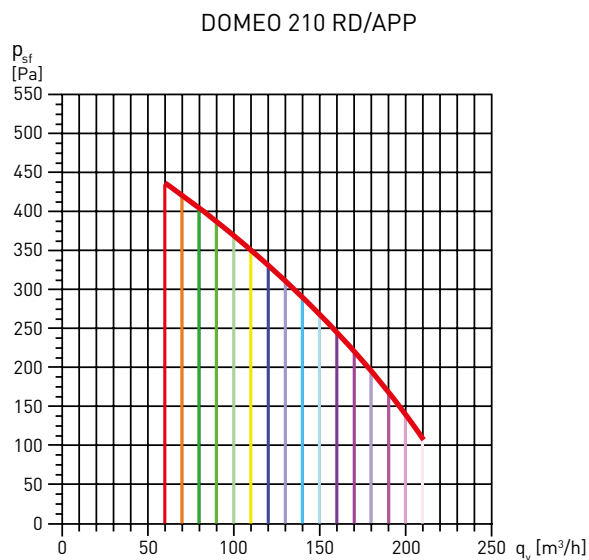
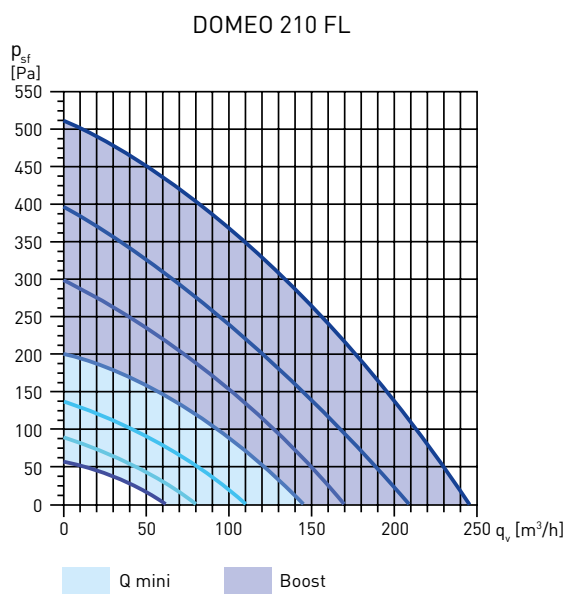


Easy to access: fans, heat exchanger and by-pass.

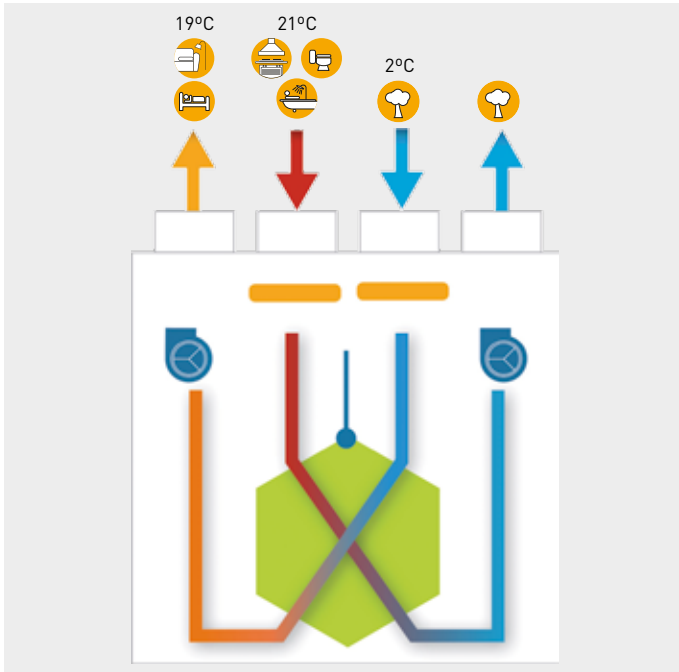
TECHNICAL CHARACTERISTICS

| Model | Efficiency % | Voltage (V) | Maximum airflow at 100 Pa (m ³ /h) | Absorbed power (W) |
|---------------|--------------|-------------|---|--------------------|
| DOME0 210 FL | 92 | 230 | 210 | 100 |
| DOME0 210 RD | 92 | 230 | 210 | 100 |
| DOME0 210 APP | 92 | 230 | 210 | 100 |

PERFORMANCE CURVES



EXAMPLE OF HEAT RECOVERY IN WINTER

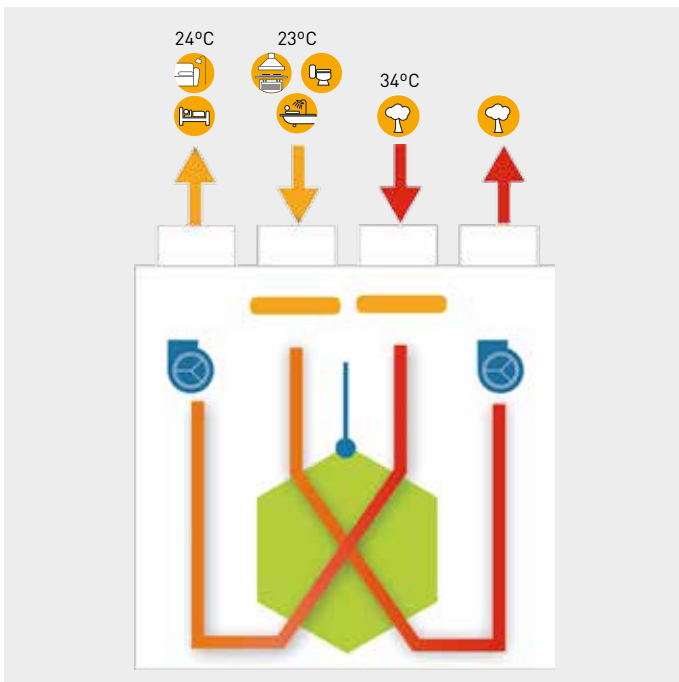


Operation without bypass

- Air inside home: 21°C.
- Outdoor air: 2°C.
- New air heated and blown into home: 19°C.

With a mechanical extract ventilation system, the new air would enter at 2°C through the air inlets, decreasing the temperature inside home. With the energy recovery ventilation systems, the new air would enter at 19°C.

EXAMPLE OF HEAT RECOVERY IN SUMMER DURING DAYTIME

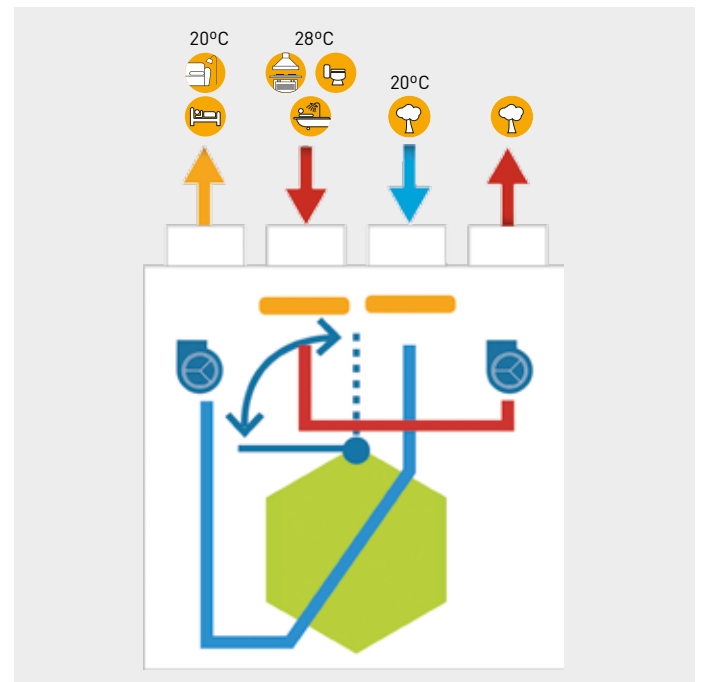


Operation with bypass

- Air inside home: 23°C.
- Outdoor air: 34°C.
- New air heated and blown into home: 24°C.

With a mechanical extract ventilation system, the new air would enter at 34°C through the air inlets, increasing the temperature inside home. With the energy recovery ventilation systems, the new air would enter at 24°C and it will avoid the rising of interior temperature.

EXAMPLE OF HEAT RECOVERY IN SUMMER NIGHTS (FREE COOLING)



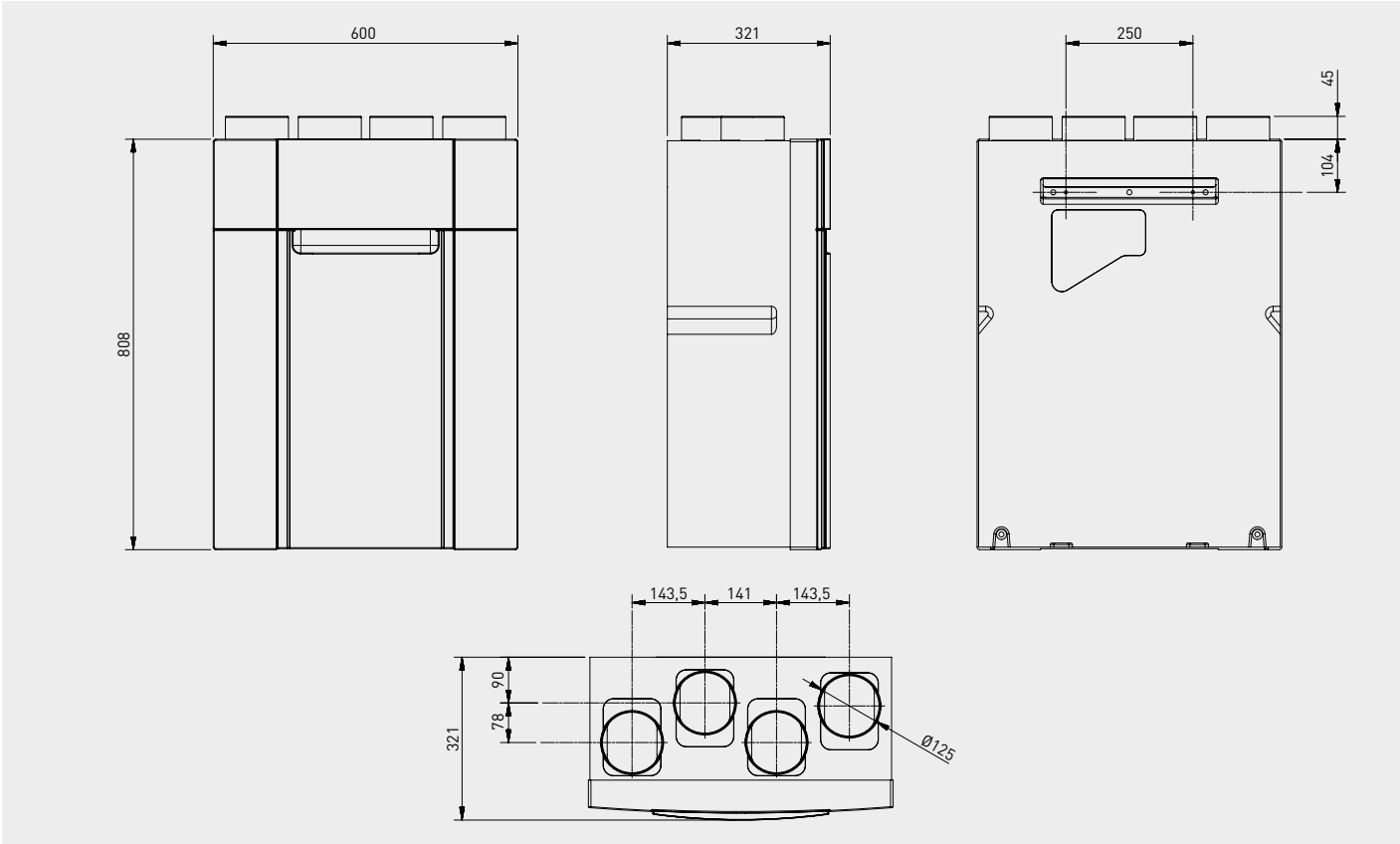
Operation with bypass

- Air inside home: 28°C.
- Outdoor air: 20°C.
- New air heated and blown into home: 20°C.

In addition, during summer nights, when outdoor air is colder than indoor air, the bypass is activated automatically so airflows do not cross each other.

| | | | | | | | | | |
|---------------|-----|---------|--------|---------|-------|--------|------|------|------------------|
| | | | | | | | | | |
| Heat recovery | Fan | By-pass | Filter | Kitchen | Rooms | Lounge | W.C. | Bath | Outside the home |

DIMENSIONS (mm)



MOUNTING ACCESSORIES



KIT M5/G4 DOME0
 Pack of M5 and G4 spare filters.



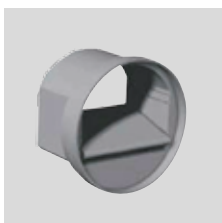
BARJ BARP
 Self-adjusting calibrated extraction valves.



BDOP
 Supply and extraction valve.



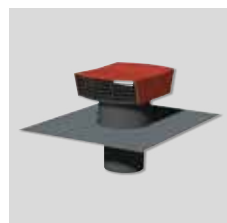
RDR
 Self-adjusting damper (50-250 Pa) that, fitted inside the duct, maintains constant airflow.



RD BP
 Specific low-pressure (20-100 Pa) and self-adjusting damper with sleeve to fit directly into the duct. 80mm diameter. Airflow: 15 or 30 m³/h.



RD BP SM
 Specific low-pressure (20-100 Pa) and self-adjusting damper without sleeve to fit directly into the sleeve of the BDOP. 80mm diameter. Airflow: 15 or 30 m³/h.



CT
 Roof cowl.



ADRF 100/80
 Reduction to connect rigid duct to spigots for flexible ducts.



GPR-ISO
 Insulated rigid duct.



GP GPX GP-PRO GP-ISO
 insulated PVC ducts .



TUBPLAV TUBPLA
 Self-extinguishing rectangular ducts with or without gasket.



TAT
 Air inlet grille under roof.



TAP
 Wall mounted air inlet grille.



PAF
 Wall outlet grille.



PLENUM UNI EX 5P/125
 Insulated extraction plenum of 125mm diameter, 1 Kitchen spigot of 125mm diameter and 4 sanitary spigots of 80mm diameter.



PLENUM UNI 6P/125
 Insulated supply plenum of 125mm diameter and 6 spigots for dry areas (living room, dining room, rooms) of 80mm diameter.

ELECTRICAL ACCESSORIES



HIG-2
 Humidity sensor.



SQA
 Air quality sensor.