

envirovent®

## ENERGISAVA® 200

High Efficiency Whole House Heat Recovery Unit



envirovent  
energisava 200

# ENERGISAVA® 200

High Efficiency Whole House Heat Recovery Unit



## About

Incorporating a powerful backward curved EC motor, the energisava® 200 delivers exceptional performance within a compact unit. Ideal for medium sized houses with kitchen plus 5 additional wet rooms the stylish little energisava® 200 achieves a maximum airflow of 241m³/h (67l/s) and a high maximum system pressure in excess of 500Pa.

## Features & Benefits

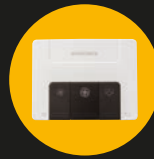
- Delivering up to 89% thermal efficiency
- Automatic and integral mechanical summer bypass as standard
- Wireless remote control as standard
- Intellitrac® humidity control technology as standard
- Frost protection as standard
- Can be wall, floor or ceiling mounted
- Easy access to removable filters
- Easy commissioning via a push button commissioning pad or via the MyEnvirovent App
- App enabled version available
- Right Hand and Left Hand versions available
- Stylish design
- High performance
- SAP PCDB listed
- 2 year warranty
- ErP A rated



## Stylish Design & Optimum User Functionality

Designed with stylish aesthetics and easy access to the removable filters for maintenance, the energisava® 200 continuously operates at a low level to ensure the home is correctly ventilated, providing all year round good indoor air quality.

Highly practical, the energisava® 200 comes as standard with a remote control to adjust the unit's airflow between trickle and boost rates. It also indicates when the summer by-pass is activated and includes a filter change and fault indicator.



The automatic, integral mechanical summer by-pass ensures that cooler air enters the property on warmer days, creating an ideal indoor climate.

## Part of the Lifetime Range®

The energisava® 200 is manufactured in the UK and is part of the award-winning Lifetime Range®, complete with a 2 year warranty. To ensure the optimum performance of the system, it is important to maintain the unit. This can be done by simply removing a section of the front cover and accessing the exchangeable filters (**order code: FILTER-ES250**).



## Flexible Installation & Ease of Commissioning

The energisava® 200 has been designed for ease of installation in mind. With vertical or horizontal mounting options, the unit can be installed on the ceiling, wall or floor.

Wall and ceiling mount versions come complete with easyfit brackets for rapid installation without the requirement to access the unit. A floor mounting kit can be ordered separately.

For ease of commissioning the push button pad on the unit enables the installer to correctly set the required airflow rate quickly and effectively.



Wall



Ceiling



Floor

## Intellitrac® Technology

The energisava® 200 incorporates Intellitrac® Technology, the unique humidity tracking controls. The unit runs continuously on trickle, providing all year round healthy indoor air quality.

No user intervention is required as the Intellitrac® Technology constantly monitors the average humidity level in the home. This allows the system to sense any rise in humidity and increases both air flows in direct correlation to quietly and efficiently control condensation. Once the humidity level falls, the extract rate tracks back down again, saving energy.



myenvirovent.

## Revolutionise the way you control your ventilation system.

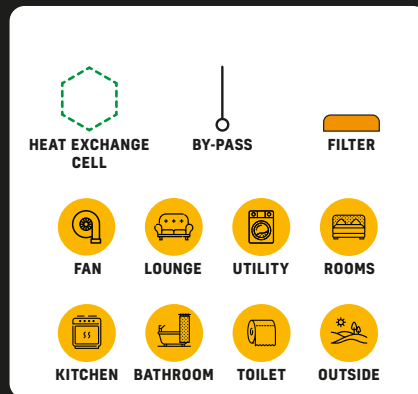
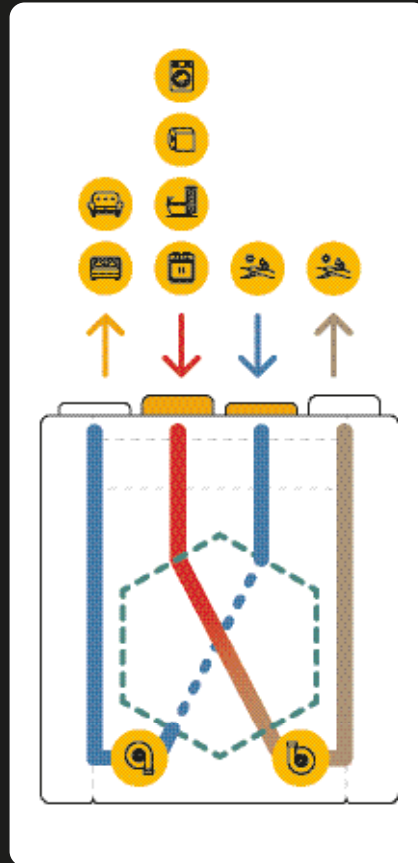
The energiSava® 200 is now available with the new myenvirovent App. It is designed to offer total control of the unit from anywhere in the home at the touch of a button. Not only does it provide smart usability for the resident, it also enables rapid commissioning for the installer:

- Greater control of ventilation requirements in the home
- Flexibility to amend ventilation settings
- Boost ventilation rates from anywhere in the home
- Multiple user access
- Filter change notifications
- Instant access to current unit status
- Secure connection through a router
- Reduce installation time by commissioning from a mobile device



## Summer By-Pass

Benefiting from a temperature controlled integral summer by-pass as standard, the air is routed around the heat exchange cell to ensure that cooler outdoor air replaces the indoor air that has been heated during the day. The summer by-pass ensures that the full benefit of perception cooling is achieved.



## Technical Characteristics

Maximum Flow Rate l/s (m3/h)	67 (241)
Heat Exchanger	Counter Flow (Plastic)
Efficiency (%)	89
Fans	EC
Specific fan power (W/l/s)	0.75
Electrical Supply	230V / 1PH / 50Hz
Max Power Consumption (W)	140
Protection Class	IPX2
Supply Filter	ISO Coarse 45%
Extract Filter	ISO Coarse 45%
Spigot (mm)	125
Dimensions (mm)	571 x 646 x 335
Weight (Kg)	14

## SAP Appendix Q Performance

Exhaust Terminal Configuration - Kitchen + Additional Wet Rooms	Specific Fan Power (W/l/s)	Heat Recovery Efficiency (%)
+ 1 additional wet room	0.75	89
+ 2 additional wet rooms	0.82	87
+ 3 additional wet rooms	0.96	85
+ 4 additional wet rooms	1.17	84
+ 5 additional wet rooms	1.41	82

For sound data figures, please contact EnviroVent on **01423 810 810**

## Technical Specification

### Product

The energiSava® 200 shall be a compact and lightweight whole house heat recovery ventilation system.

### Application Suitability

The system shall be suitable for use in mid-sized houses with kitchen plus up to five wet rooms and designed primarily for new build and major renovations. The unit shall be capable of being either floor, wall or ceiling mounting. It shall be suitable for installation in an accessible loft or internal cupboard space. It shall be a single person installation with easy commissioning features. The unit shall incorporate Ø125 extract and supply spigots.

### Motor

The unit shall incorporate an Ultra Low Watt EC backward curved motor to provide the lowest possible

SFP and unit running costs with sealed for life ball bearings and designed to operate continuously at a pre-set 'background' rate.

**Fan**

EC motors shall power the centrifugal backward curved fan impellers.

**Mechanical Summer Bypass**

The automatic, integral mechanical summer by-pass shall ensure that cooler air enters the property on warmer days, creating an ideal indoor climate.

**Heat Exchange Cell**

The heat exchange cell shall be a high efficiency counter flow cell capable of up to 89% efficiency.

**Filtration**

The unit shall be supplied with 2 x ISO Coarse 45% filters that can easily be accessed for cleaning or replacing.

**Servicing / Maintenance**

Supply and extract filters shall be located within the unit and exchanged annually. The unit shall incorporate a heat exchange cell for life and shall not require any maintenance within two years.

**Warranty**

The unit shall be covered by a two year warranty subject to the specified maintenance and servicing.

**Controls**

The unit shall be fitted with automatic Intellitrac® humidity controls, with a switch live option. It shall also come supplied with a remote control to adjust the unit's airflow between trickle and boost rates, including a summer by-pass, filter change and fault indicator.

**Manufacturer**

Unit shall be the energiSava® 200 as manufactured by EnviroVent Ltd.

**Accreditation**

SAP PCDB Listed

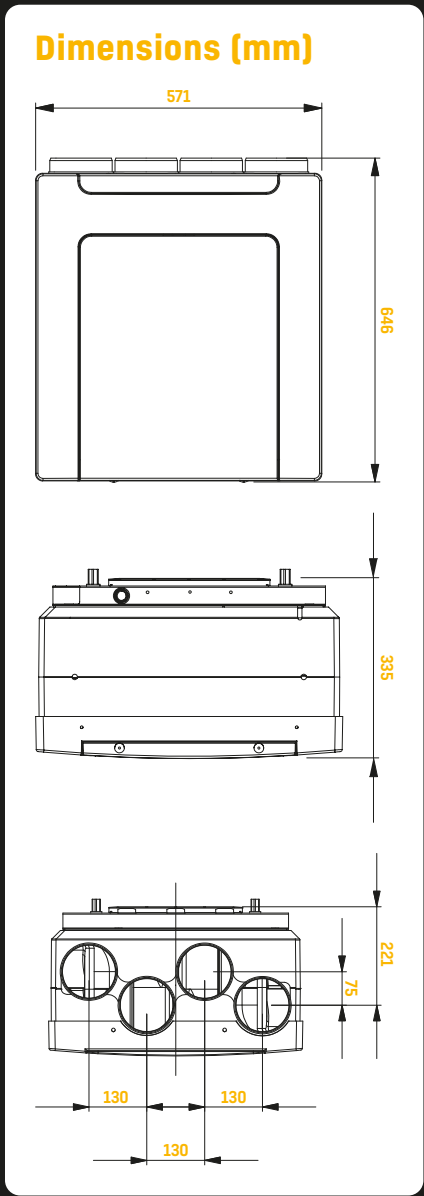
Conforms to the requirements of the UK Building Regulations and the Technical Standards for Ventilation

Conforms to requirements of the EC council directives relating to Electromagnetic Compatibility and Electrical Safety (LDV and EMC)

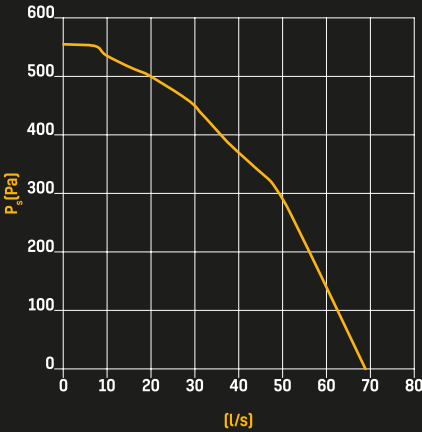
CE Marked.

**Installation**

Full installation guide shall be enclosed with all products; or sent separately in advance if required.



**Performance Curve**



**Options & Ancillaries**

DESCRIPTION	CODE(S)
5 IN 1 ROOF VENT KIT	1RV VENT 5 IN 1
Ø125MM FLEXIBLE INSULATED HOSE DUCTING	1RD INS FLEX 125
Ø125MM ACOUSTICALLY INSULATED ALUMINIUM HOSE DUCTING	1RD ACO FLEX 125
Ø125MM RIGID DUCTING	1RD 125 X 350MM 1RD 125 X 2M
*DRAINAGE KIT (FLOOR BRACKETS ONLY)	KIT-CONDENSATE-ES200
SLIMLINE AIRBRICK (AVAILABLE IN WHITE, TERRACOTTA, BROWN AND COTSWOLD STONE)	1AC HOR LOUV
WHITE POWDER-COATED METAL CEILING VALVES (EXTRACT AND SUPPLY)	1DIF EXTRACT 125 1DIF SUPPLY 125
FLAT CHANNEL DUCTING	1FD 204 X 60 1.5M 1FD 204 X 60 2M



# envirovent®

Leaders in the manufacture of innovation and sustainable ventilation

EnviroVent Ltd                      T / 0345 27 27 807  
EnviroVent House                F / 01423 301 022  
Hornbeam Business Park       E / enquiries@envirovent.com  
Harrogate  
HG2 8PA                              W / www.envirovent.com

Due to our policy of continuous innovation and improvement, EnviroVent reserves the right to alter products specification and appearance without notice.

E&OE | MKT ENV397 - V2 - 05.01.21

Copyright © EnviroVent Ltd 2020



Follow us on  
**facebook**



Follow us on  
**twitter**



Watch us on  
**Youtube**



Follow us on  
**Instagram**



Follow us on  
**Pinterest**



Find us on  
**LinkedIn**

