

envirovent®

ENERGISAVA® 210

Low Energy Whole House Heat Recovery Unit



ENERGISAVA® 210

Low Energy Whole House Heat Recovery Unit



About

Incorporating a powerful backward curved EC motor, the energisava® 210 is a low energy whole house heat recovery unit with a high-efficiency counter-flow heat exchanger. The unit supplies fresh air into the home with up to 89% thermal efficiency. Ideal for medium sized houses with kitchen plus 5 additional wet rooms the stylish energisava® 210 achieves a maximum airflow of 195m³/h (55l/s)

Features & Benefits

- Counter-flow heat exchanger with up to 89% thermal efficiency
- Mechanical Summer bypass (auto or manual)
- Intellitrac® humidity tracking controls
- Frost protection as standard
- Innovative boost controls
- Filter change indicator
- Holiday mode
- High efficiency ISO Coarse 65% filters
- SAP PCDB listed
- ErP A rated
- 2 year warranty
- Energy Savings Trust Best Practice Performance Compliant



How Does it Work?

The energisava® 210 works by extracting stale, moisture-laden air from the wet rooms such as bathrooms, WCs, kitchen and shower rooms, which is released into the atmosphere. At the same time it supplies fresh, filtered air into the living areas.



Optimum User Functionality

Incorporated within the energisava® 210 is the Intellitrac® humidity tracking control as standard.

The system continuously operates at a low level to ensure that the home is correctly ventilated, providing good indoor air quality with no user intervention required. As humidity rises and falls, the motor speed rises and falls in correlation. This controls condensation and reduces the time that the system operates on maximum speed, helping to save energy.

Technical Data

Maximum Flow Rate	51 [195]
Heat Exchanger	Counter Flow (Plastic)
Efficiency	89%
Fans	EC
Specific Fan Power	0.81 W/l/s
Electrical Supply	230V / 1PH / 50Hz
Max Power Consumption	140W
Protection Class	IPX2
Supply Filter	EPM1 65%
Extract Filter	ISO Coarse 65%
Spigot (mm)	125
Dimensions (mm)	600 x 808 x 321
Weight	15Kg

Innovative Control Switch

The innovative control switch allows the user to select:

- The airflow rate
- Holiday mode
- Summer by-pass

It also indicates when the filters needs replacing.

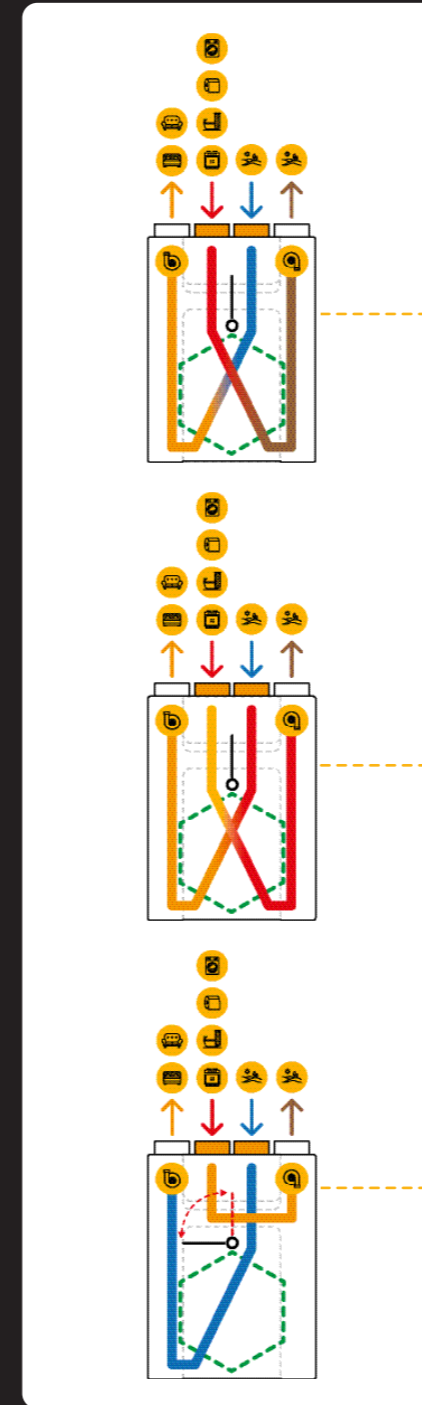


Easy Access Filters



SAP Appendix Q Performance

Exhaust Terminal Configuration - Kitchen + Additional Wet Rooms	Specific Fan Power (W/l/s)	Heat Recovery Efficiency (%)
Kitchen + 1 additional wet room	0.81	89
Kitchen + 2 additional wet rooms	0.82	87
Kitchen + 3 additional wet rooms	0.89	87
Kitchen + 4 additional wet rooms	1.03	85
Kitchen + 5 additional wet rooms	1.22	85



Heat Recovery in Winter An example scenario

With a mechanical extract ventilation system, the air enters at 2°C through the supply valves, reducing the internal temperature within the home. With the energisava® 210, the supply air enters at 19°C.

AIR INSIDE THE HOME	OUTSIDE AIR	NEW AIR HEATED AND SUPPLIED INTO THE HOME
21°C	2°C	19°C

Summer Daytime By-Pass An example scenario

With a mechanical extract ventilation system, the air enters at 34°C through the supply valves, increasing the temperature within the home. With the energisava® 210, the supply air enters at 24°C and minimises the increase in internal temperature.

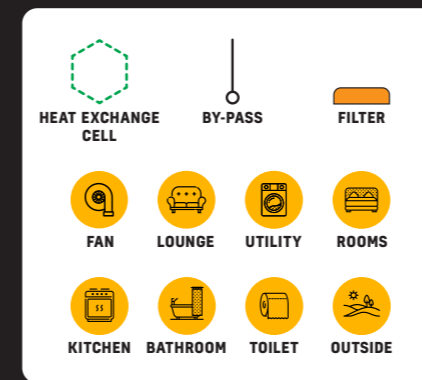
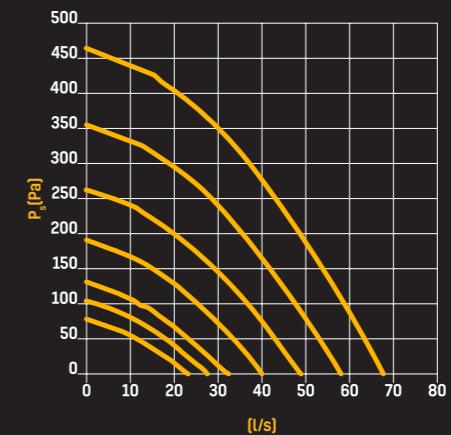
AIR INSIDE THE HOME	OUTSIDE AIR	COOLED AIR
23°C	34°C	24°C

Summer Night By-Pass (Free Cooling) An example scenario

In addition, during summer nights, when the outdoor air is colder than the indoor air, the bypass is activated automatically avoiding the mixing of airflows to supply cooler air to the home.

AIR INSIDE THE HOME	OUTSIDE AIR	NEW AIR SUPPLIED INTO THE HOME
28°C	20°C	20°C

Performance Curves



Technical Specification

Product

The energisava® 210 is a low energy, continuously running whole house MVHR unit designed to draw moisture laden air out of the wet rooms of a property, whilst minimising the migration of humidity to other rooms.

Application Suitability

The unit shall be suitable for houses, apartments and communal residences with kitchen plus up to five additional wet rooms, the unit will ventilate the property in full compliance with current building regulations.

Motor

The unit shall incorporate an EC motor designed to operate continuously.

Fan

The unit shall be a backward curved impeller.

Construction

The housing of the unit shall be constructed out of polypropylene. The front cover and spigots shall be constructed out of ABS.

Warranty

The unit shall be covered by a two year warranty.

Mechanical Summer Bypass

The automatic, 100% integral mechanical summer by-pass shall ensure that cooler air enters the property on warmer days, creating an ideal indoor climate.

Filtration

The unit shall be supplied with plug out / plug in 2 x ISO Coarse 65% (G4) on the extract and supply inlets.

Servicing / Maintenance

The energisava® 210 shall be fitted with a self-cleaning backward curved impeller. The front cover shall enable easy access to the filters to be replaced or removed.

Controls

The energisava® 210 shall incorporate automatic Intellitrac® humidity controls and is supplied with a hard wired controller with a timed boost, function filter and summer bypass indicator.

Accreditation

SAP PCDB Listed
Conforms to the requirements of the UK Building Regulations and the Technical Standards for Ventilation

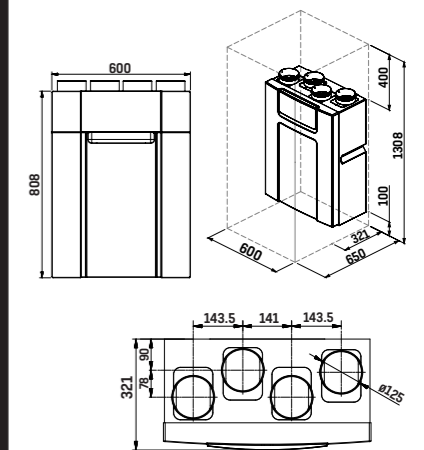
Conforms to requirements of the EC council directives relating to Electromagnetic Compatibility and Electrical Safety (LDV and EMC). CE Marked.

Installation

The unit shall be capable of being installed horizontally or vertically on walls.

Dimensions (mm)

energisava® 210



envirovent®

Leaders in the manufacture of innovation and sustainable ventilation

EnviroVent Ltd
EnviroVent House
Hornbeam Business Park
Harrogate
HG2 8PA

T / 0345 27 27 807
F / 01423 301 022
E / enquiries@envirovent.com
W / www.envirovent.com

Due to our policy of continuous innovation and improvement, EnviroVent reserves the right to alter products specification and appearance without notice.

E&OE | MKT ENV398 - V2 - 05.01.21

Copyright © EnviroVent Ltd 2021



Follow us on
facebook



Follow us on
twitter



Watch us on
Youtube



Follow us on
Instagram



Follow us on
Pinterest



Find us on
LinkedIn

