

## TECHNICAL DATA SHEET MIV Air Source | Whole House Positive Input Ventilation Unit



Lifetime Range\*



### PRODUCT

Whole house multiple input ventilation system for properties with a loft space.

### APPLICATIONS

During warmer months of the year when the temperature in the loft space exceeds 25°C, the MIV® Air Source has the additional facility to draw air from atmosphere via a temperature controlled diverter mechanism. This provides efficient perception cooling into the property and maintains the required level of ventilation continuously throughout the year.

### SERVICING / MAINTENANCE

Achieved by removal/exchange/replacement of filters and consumable items. There should be no requirement for any maintenance within the five year period.

### ACCREDITATIONS

- Conforms to the requirements of the UK Building Regulations and the Technical Standards for Ventilation
- Conforms to requirements of the EC council directives
- Relating to Electromagnetic Compatibility and Electrical Safety (LDV and EMC). CE Marked

### INTEGRAL 'INTELLIGENT LOW TEMPERATURE' COMFORT HEATER

Powered by a single supply and capable of holding incoming air temperatures accurately - around 10°C. The integral heater element is manufactured in a solid tubular sheath material and not in open wire format.

### PERFORMANCE & SOUND LEVELS

Incoming Air Temp. (°C)	Fan Speed Setting	Specific Fan Power (SFP)	Airflow (l/s)	Power Usage (W) (3)	Outlet Noise dB(A) @3m
<19 (1) (2)	1	0.24	15	4	<15
	2	0.22	20	4	<15
	3	0.21	26	6	<15
	4	0.25	34	9	<15

1. Above 19°C the unit increases airflow rates per setting by 10%.

2. The unit switches to Summer Mode at air temperatures at or above 25°C.

3. Power usage with Comfort Heater disabled.

# TECHNICAL DATA SHEET

## MIV Air Source | Whole House Positive Input Ventilation Unit

### INSTALLATION

Full installation guide is enclosed with all products; or sent separately in advance - if required.

### CONSTRUCTION

ABS plastic to contain at least 50% recycled material.

### MOTOR

Incorporates the Ultra Low Watt DC motor technology with sealed for life ball bearings designed to operate continuously at a pre-set 'background' rate.

### FAN

Is a 140 x 220mm centre mounted forward curved centrifugal fan.

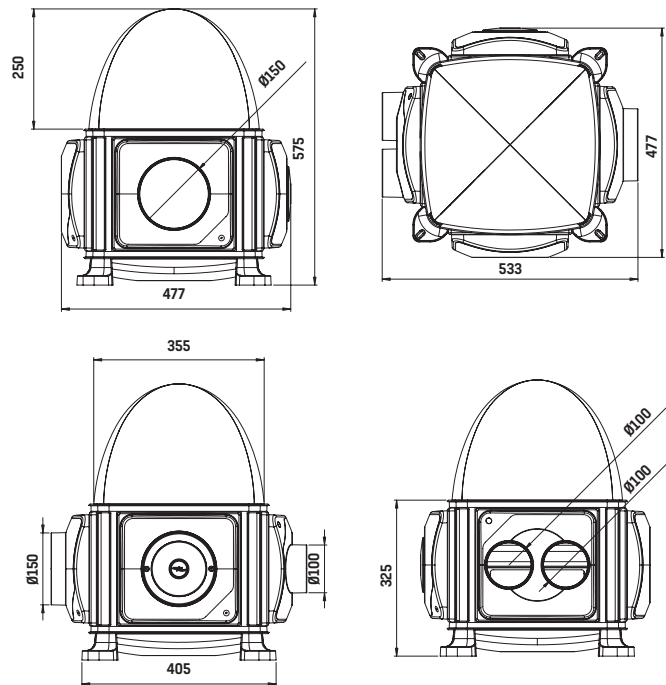
### FILTER

Is a synthetic fibre based filter mat to ISO Coarse standard in accordance with ISO 16890 standard ratings. The filter should conform to all European Union and US fire classification standards (e.g. DIN 53438-F1 and UL900-class 2) and be self-extinguishing.

### WARRANTY

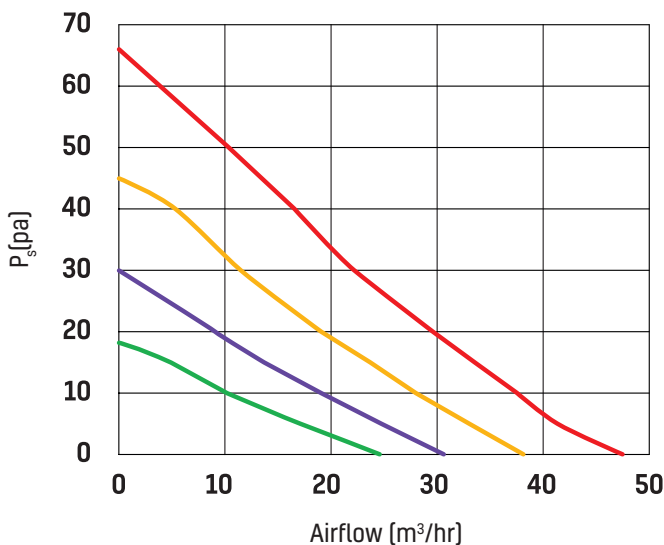
Covered by an on-going, repeatable 5 year warranty, subject to the completion of specified maintenance.

### DIMENSIONS (MM)



### PERFORMANCE CURVES

MIV Air Source with summer by-pass NOT activated



MIV Air Source with summer by-pass activated

