

GX6EC & GXC6EC

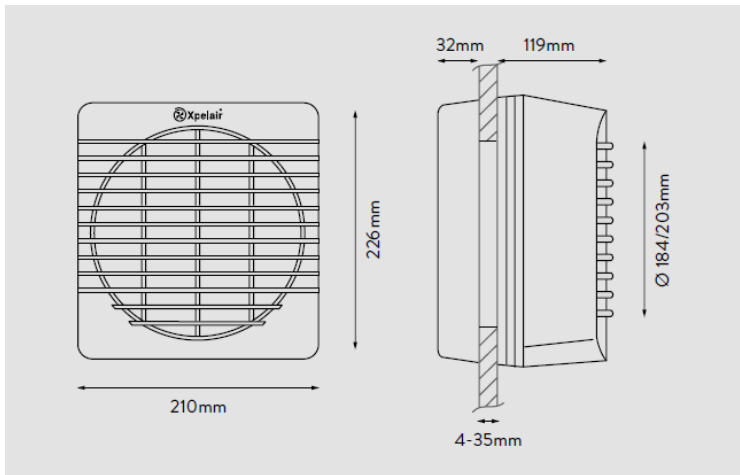
High performance extract fans

These models contain a low watt EC motor giving lower power consumption and reduced running costs vs a conventional AC motor. Xpelair GX6EC models are purpose designed for use in kitchens and utility rooms and can be window or panel mounted as supplied and wall-mounted via optional wallkit. GXC6EC has an integral pullcord actuator.



Key Features

- Single speed
- Single or double glazed window installation
- Window kit supplied
- Safety finger guard
- Hole diameter (mm) - 184
- Hole diameter with wall liner (mm) - 203
- Weight - 1.4kg
- Complies with building regulations Part F for kitchens
- IP rating - IPX4
- 5 year UK manufacturer warranty



Product Selector		Speeds	Power Consumption (W)	Extract Performance (l/s)	Extract Performance (m ³ /hr)	Sound Pressure Level	Pullcord	Silent Electro-thermal Shutter
Model								
GX6EC	071262	1	9.5	64	229	34		✓
GXC6EC	071279	1	6.8	64	229	34	✓	