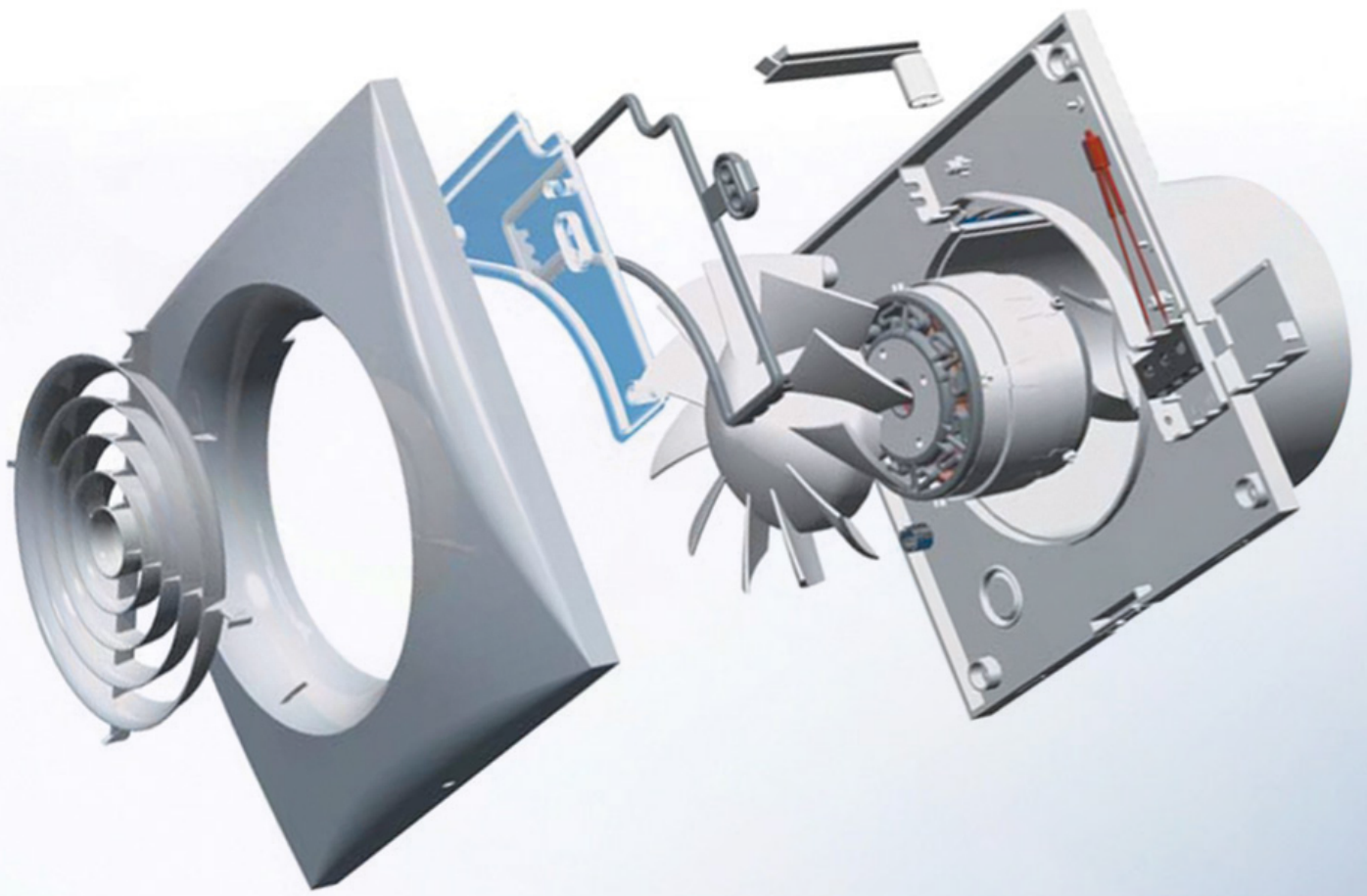




envirovent®

The SILENT Range





The most advanced SILENT
technology delivering the
highest extract performance

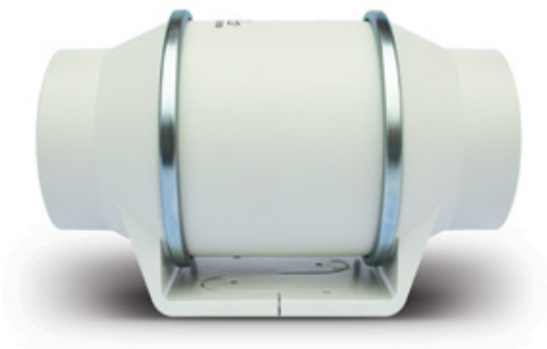




Offering the widest range of ultra quiet **SILENT** fans

Designed for wall, ceiling
and in-line applications,
the models are suitable for
WC, bathroom, utility room
and kitchen installations.

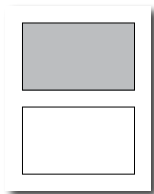




Pure elegance with silent technology

Innovative Silence

The extract fans from the SILENT range are the result of a long and meticulous development process by the Research, Development & Innovation Department at EnviroVent, who have patented a new concept; bringing about a revolutionary change in extract fan design to extract the maximum airflow with the minimum noise possible.



The SILENT 100 Design and SILENT 100 are available in both white and silver

Quality Features

The fans are available with a variety of functions including intelligent timers, PIR detectors, adjustable timers and adjustable humidity sensors.

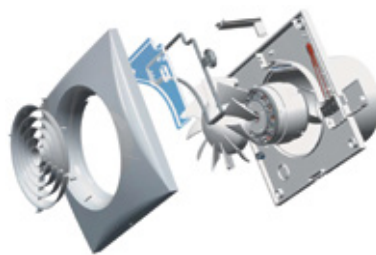


How is this achieved?

The motors are mounted on silent elastic blocks, which absorb the vibrations.

In this way not only is the noise from the extract fan significantly reduced but so too is the noise from the surface which supports it.

Additionally, the motors are equipped with 30,000 hour sealed for life bearings.



5 SELV models available for the SILENT 100

High Performance

Due to the advanced design of the components, the range delivers incredibly silent running in addition to offering stylish and innovative features.



5
YEAR GUARANTEE

All products are covered by a five year guarantee

IP Ratings

IP44, IP45 or IP57 rated depending on the model





SILENT 100 *Design*



AVAILABLE IN

Ultra Quiet WC & Bathroom Fans

Range of 100mm domestic axial extract fans for wall or ceiling installations, designed to solve ventilation problems in WC's and bathrooms. Fitted with motors mounted on silent elastic blocks, the fans deliver incredibly silent running and exceptional performance with stylish features.



SWAROVSKI SILENT 100 Design

Made with beautiful Swarovski crystals, the new SILENT 100 Design Swarovski is the must-have for any style-conscious designer or specifier.

Features

- Sealed for life ball bearings
- Silent elastic blocks
- IP45 rated*
- Backdraught shutter and airflow guide vanes as standard
- Standard Thermal Overload Protection (S.T.O.P)
- Available in silver
- Five year guarantee

*Pullcord version IP44

Benefits

- Elegant design
- Incredibly silent running
- High performance
- Significant energy savings
- Complies with Building Regulations



Adjustable Timer

After disconnection, the shut off time can be delayed between 1 and 30 minutes.



Adjustable Humidity Sensor

The level of humidity for the bathroom can be chosen from between 60% and 90% RH. The extract fan will continue to work long enough to reach the selected level.



Pullcord

Supplied with pullcord override.



Silver Finish

Models which are available with a silver finish.

ORDER CODE	SILDES100S	SILDES100P	SILDES100T	SILDES100HT	SILDES100SS	SILDES100PS	SILDES100TS	SILDES100HTS	SILDES100SK
Neon Light	•	•	•	•	•	•	•	•	•
Sealed For Life Ball Bearings	•	•	•	•	•	•	•	•	•
Silent Elastic Blocks	•	•	•	•	•	•	•	•	•
Backdraught Shutter	•	•	•	•	•	•	•	•	•
Adjustable Timer			•	•			•	•	
Pullcord		•				•			
Adjustable Humidity Sensor				•				•	
White	•	•	•	•					
Swarovski									•
Silver					•	•	•	•	•



SILENT 100



AVAILABLE IN

Whisper Quiet WC & Bathroom Fans

Range of 100mm domestic axial extract fans for wall or ceiling installations, designed to solve ventilation problems in WC's and bathrooms. Fitted with motors mounted on silent elastic blocks, the fans deliver incredibly silent running and exceptional performance with stylish features.

Numerous Quality Features

Fitted with pilot light, backdraught shutter and airflow guide vanes as standard to improve pressure development and performance, the SILENT range is also available with numerous quality features to include optional timer, humidity sensor, SELV and PIR models.

Features

- Sealed for life ball bearings
- Silent elastic blocks
- IP45 rated
- SELV version - IP57 rated
- Backdraught shutter and airflow guide vanes as standard
- Available in silver
- Five year guarantee

Benefits

- Incredibly silent running
- High performance
- Significant energy savings
- Complies with Building Regulations



Intelligent Timer

The over-run timer matches the amount of time that the fan has been on for.



Adjustable Humidity Sensor

The level of humidity for the bathroom can be chosen from between 60% and 90% RH. The extract fan will continue to work long enough to reach the selected level.



PIR

Automatically starts up when the fan detects movement at a maximum of 4 metres.



Adjustable Timer

After disconnection, the shut off time can be delayed between 1 and 30 minutes. This has a factory-set level of 1 minute.



Pullcord

Supplied with pullcord override.



SELV

Specifically designed to work within the safety area, connected to remote sited transformers supplied as standard (CT-12/14) or with an adjustable timer (CT-12/14H or R).

ORDER CODE	SIL100S	SIL100T	SIL100T	SIL100HT	SIL100PIR	SIL100SS	SIL100ST	SIL100S12V	SIL100T12V	SIL100P12V	SIL100TP12V	SIL100HTP12V
Pilot Light	•	•	•	•	•			•	•	•	•	•
Airflow Guide Vanes	•	•	•	•	•	•	•	•	•	•	•	•
Sealed For Life Ball Bearings	•	•	•	•	•	•	•	•	•	•	•	•
Silent Elastic Blocks	•	•	•	•	•	•	•	•	•	•	•	•
Backdraught Shutter	•	•	•	•	•	•	•	•	•	•	•	•
Adjustable Timer		•		•			•		•		•	•
Intelligent Timer - Operates after 50 seconds			•									
Adjustable Humidity Sensor				•								•
PIR					•							
Pullcord										•	•	•
Silver Finish						•	•					



SILENTUB 100



Ultra Quiet In-line Duct Fan

Domestic axial in-line fan designed to solve ventilation problems for ducted systems. The motors are assembled on silent elastic blocks and fitted with ball bearings for enhanced working life.

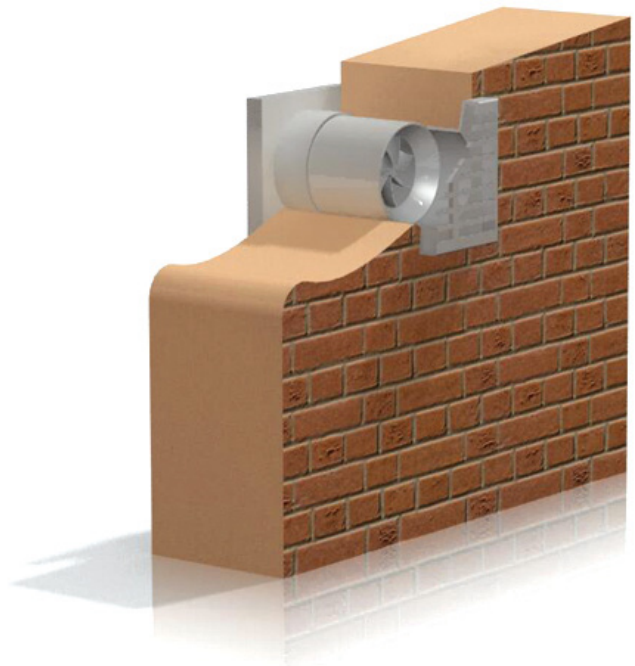
Features

- Sealed for life ball bearings
- Silent elastic blocks
- IP44 rated
- Five year guarantee

Benefits

- Incredibly silent running
- High performance
- Significant energy savings
- Complies with Building Regulations

ORDER CODE	SILENTUB 100
Sealed For Life Ball Bearings	•
Silent Elastic Blocks	•





SILENT MV



Ultra Quiet In-line Duct Fans

Ultra quiet and low profile helicocentrifugal in-line fans suitable for a wide range of domestic and commercial applications. Fitted with sound absorbent insulation and manufactured with an adjustable two speed 230V 50Hz motor*.

Easy to install and maintain, the SILENT MV fans guarantee exceptional performance with significant noise reduction.

*Except for the SILENT MV 160/100, which is fitted with a patented silent axial motor.

Features

- Sound absorbent insulation
- 360° rotating connection box
- Sealed for life ball bearings
- Fitted with a two speed motor
- IP44 rated
- Five year guarantee

Benefits

- Incredibly silent running
- High performance
- Complies with Building Regulations
- Easy installation
- Easy maintenance
- Flexible location

Presenting the world's quietest fans in their class

Presenting the world's quietest in-line fan range in their class, the SILENT MV range creates a quantum leap forward in technology to improve the acoustic performance of up to 12 dB(A) compared with similar products on the market.

The SILENT MV range is the result of an intense R&D, technological and economic investment to ensure that you can be guaranteed of a product range that provides exceptional performance with significant noise reduction.

Following extensive aerodynamic testing, we have been able to not only reduce the amount of noise produced, but also ensure that the noise level that is actually emitted is at a far lower frequency, providing a quiet and ambient environment.

By installing the SILENT MV, you will never experience the disturbance of noisy ventilation again.

Versatility

The SILENT MV fan range offers one of the most versatile fan systems on the market today. Due to its flexibility it can be used in a multitude of small and medium fan installations. Especially advantageous in applications where the system may be running for long periods throughout the day, the acoustic benefits of the SILENT MV fans ensure that optimum comfort is achieved without the disturbance of noisy ventilation systems.

Hairdressers



Public Spaces



Libraries



Offices



ORDER CODE	SILMV160/100S	SILMV160/100T*	SILMV250/100	SILMV350/125	SILMV500/150	SILMV800/200	SILMV1000/200	SILMV1300/250	SILMV2000/315
Sealed For Life Ball Bearings	•	•	•	•	•	•	•	•	•
Two Speed	•		•	•	•	•	•	•	•
Adjustable Timer		•							

Once installed, you'll never know it exists

Innovative Engineering

The SILENT MV has been designed with state of the art technology to achieve results to satisfy the most demanding specifier. The low profile and compact design of the helicentrifugal fans enable them to be installed where space is restricted, such as false ceilings.

The unique perforated design of the casing directs sound waves into the high density sound absorbent material to prevent air leakage and minimise noise.



The connection box can be rotated 360° to enable the power cable to be easily connected.



Duct connections are constructed out of flexible rubber gaskets, which minimise sound and vibrations to the ducts.



Support bracket can be used to install the SILENT MV fans on either a wall or a ceiling.

How does it work?

Sound waves produced inside the SILENT MV are directed through the perforated inner cover and absorbed by the layer of sound absorbent material.

Ease of Maintenance

The central body of the SILENT MV can be easily dismantled from the connections to enable rapid maintenance, without the need to interfere with the ducting.

Ease of Installation



Loosen the fixing clamps



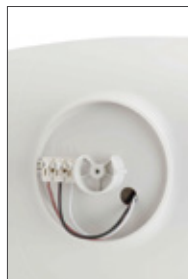
Open clamps on both sides



Remove the fan body



Remove the terminal box lid



Carry out the wiring of the unit



Replace the fan body and tighten the clamps



The SILMV1300/250 and SILMV2000/315 are in-line mixed flow fans with a low profile to meet ventilation needs in domestic, commercial and industrial applications, especially where sound may be a problem. Constructed from sheet steel with epoxy polyester paint, acoustic insulation (MO) glass fibre, within an outer shell. External terminal box IP55. Removeable fan body with 2 speed motor, single phase 230V-50/60Hz speed controllable, IP44, Class F, external rota aluminium motor with capacitor and thermal protection.

These fans retain the same philosophy as the rest of the SILENT MV range; to improve comfort whilst achieving a substantial reduction in radiated noise level, without sacrificing airflow performance and ease of installation.

Low Profile

Ideal for installations where space is restricted, as in false ceilings.



Support Bracket

Suitable for wall or ceiling mounting, fixing brackets to the motor body are included.



Low Noise Level

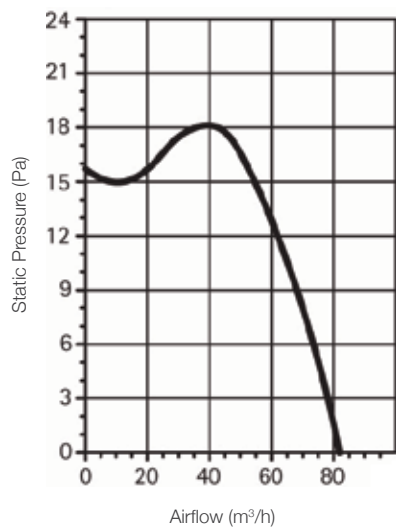
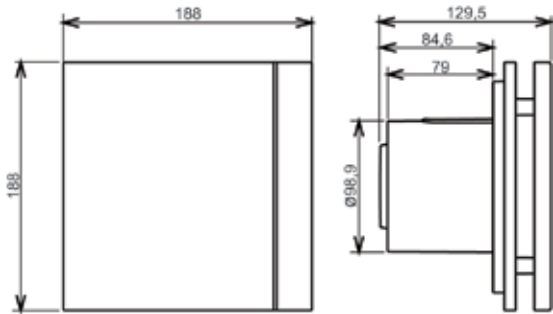
1. Aerodynamic inlet to improve airflow and reduce sound
2. Attenuating perforated skin



Technical Specifications

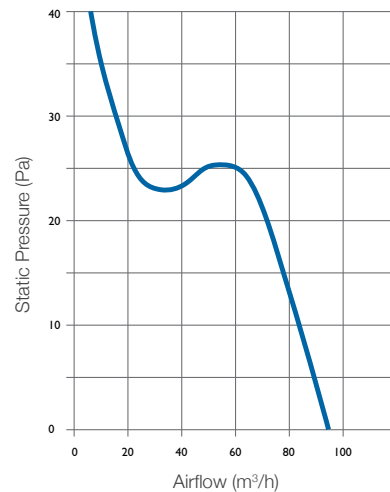
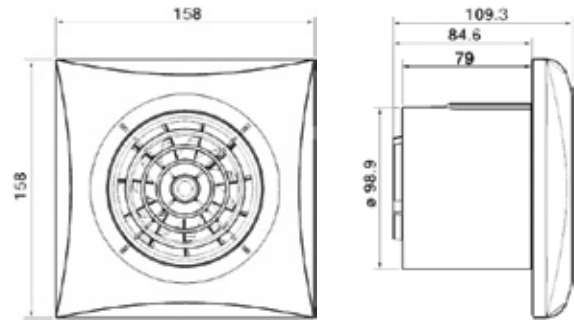
Performance and Dimensions

SILENT 100 *Design*



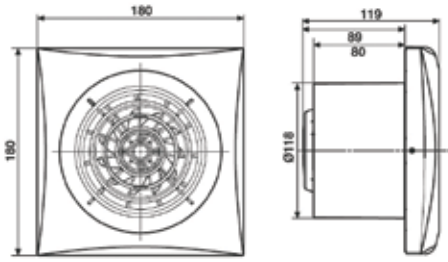
MODEL	SILENT 100 Design
Speed (r.p.m.)	2400
Watts (W)	8
Voltage (V) 50Hz	230
Airflow l/s (m³/h)	22 (80)
dB(A) @ 3m	26.5
Weight (Kg)	0.65
IP Rating	IP45
Ø Duct (mm)	100

SILENT 100

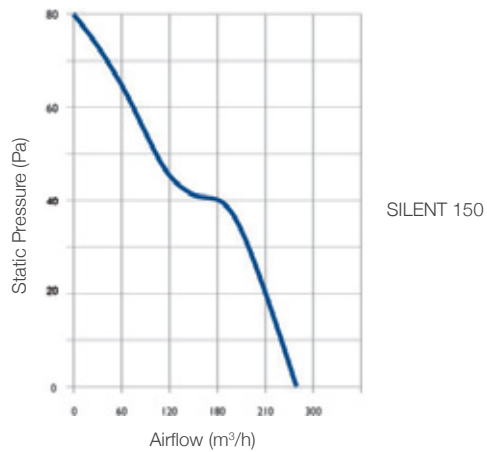
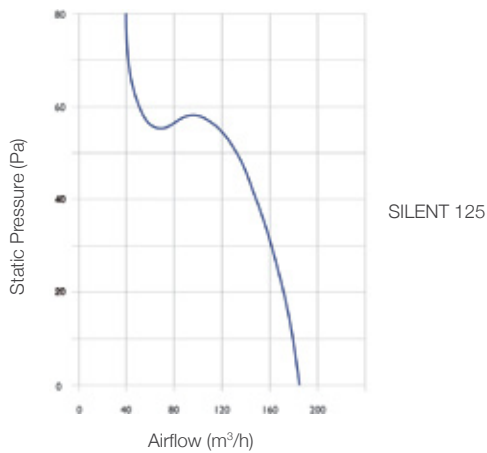


MODEL	SILENT 100 230V	SILENT 100 12V
Speed (r.p.m.)	2400	2320
Watts (W)	8	13
Voltage (V) 50Hz	230	12
Airflow l/s (m³/h)	26 (95)	26 (95)
dB(A) @ 3m	26.5	26.5
Weight (Kg)	0.57	0.57
IP Rating	IP45	IP57
Ø Duct (mm)	100	100

SILENT 125 & 150

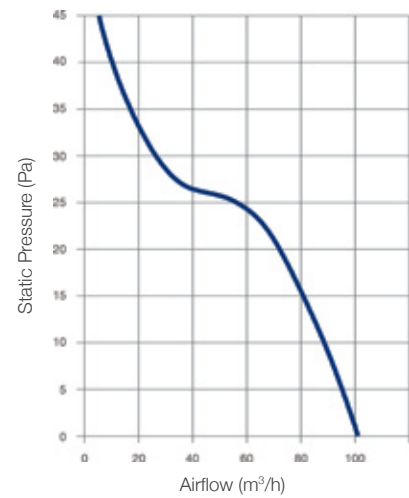
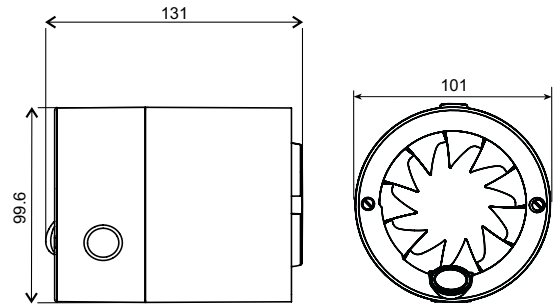


MODEL	A	B	C	D	ØE
SILENT 125	180	180	119	80	118
SILENT 150	214	214	149	95	147



MODEL	SILENT 125	SILENT 150
Speed (r.p.m.)	2350	1700
Watts (W)	16	29
Voltage (V) 50Hz	230	230
Airflow l/s (m³/h)	50 (180)	78 (280)
dB(A) @ 3m	33	32
Weight (Kg)	0.77	1.25
IP Rating	IP45	IP45
Ø Duct (mm)	125	150

SILENTUB 100



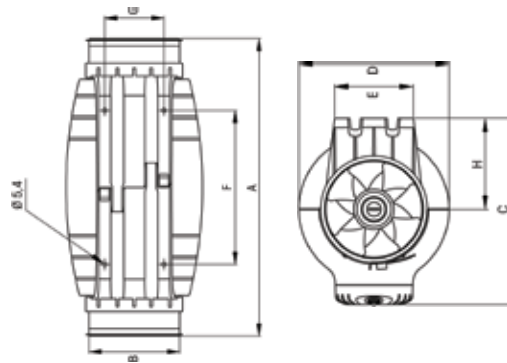
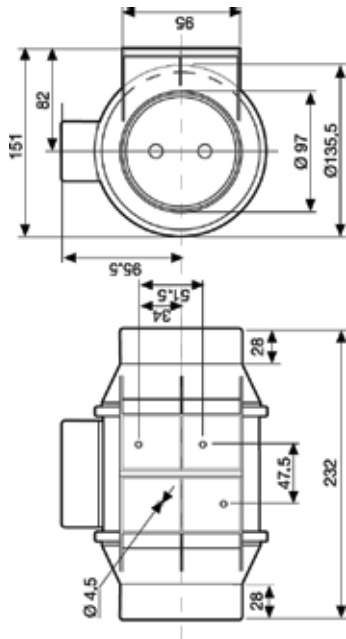
MODEL	SILENTUB 100
Speed (r.p.m.)	2450
Watts (W)	12
Voltage (V) 50Hz	230
Airflow l/s (m³/h)	28 (100)
dB(A) @ 3m	37.5
Weight (Kg)	0.5
IP Rating	IP44
Ø Duct (mm)	100

SILENT MV

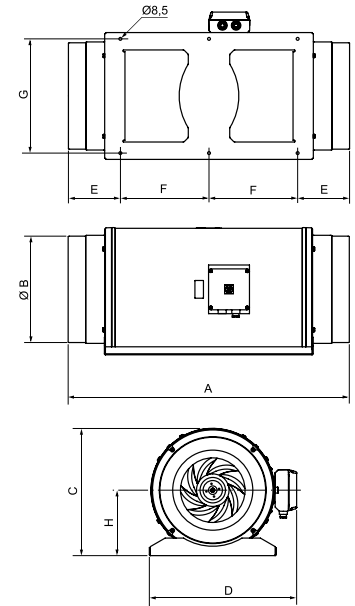
160/100S | 160/100T

250/100 | 350/125 | 500/150 | 800/200 | 1000/200

1300/250 | 2000/315



MODEL	A	B	C	D	E	F	G	H
SILMV250/100	575	97	252	204	100	250	83	121
SILMV350/125	462	123	252	204	100	250	83	121
SILMV500/150	484	147	274	221	116	250	96	134
SILMV800/200	568	198	327	264	145	340	129	164
SILMV1000/200	568	198	327	264	145	340	129	164



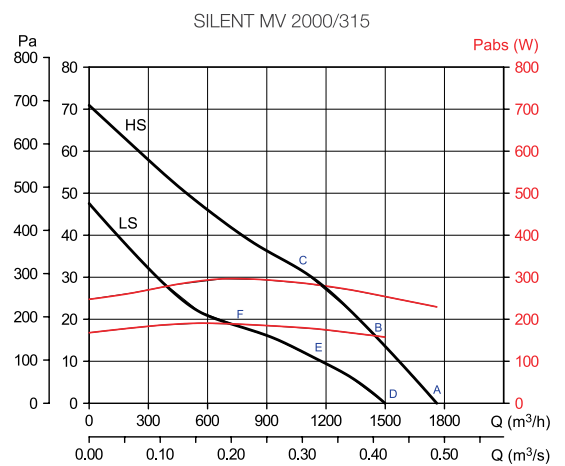
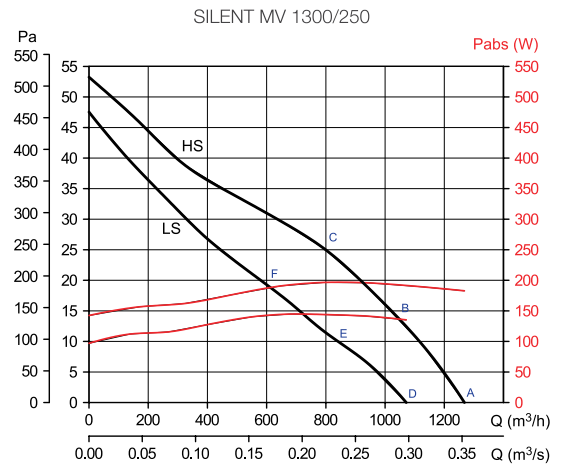
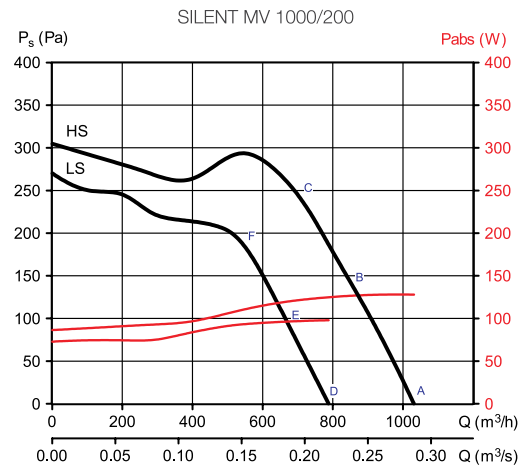
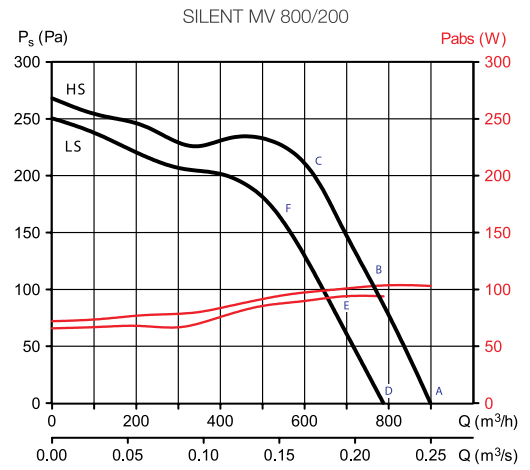
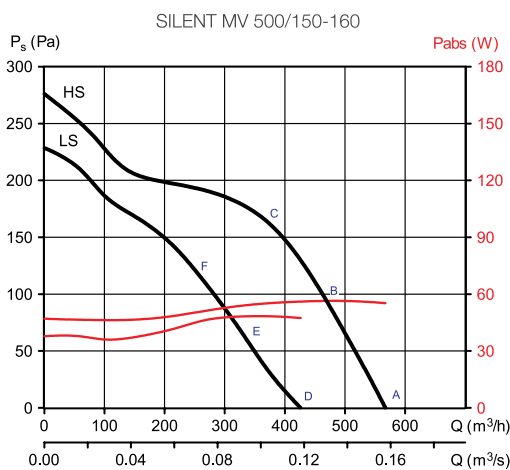
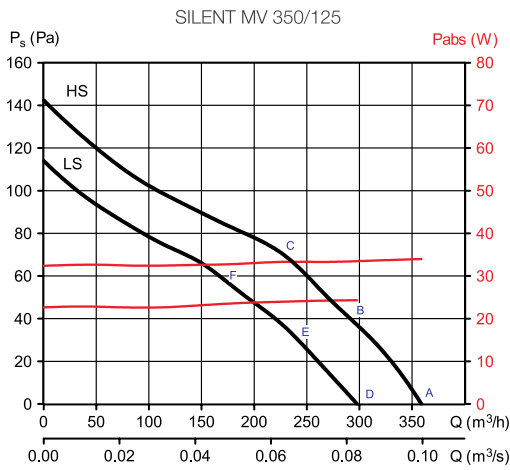
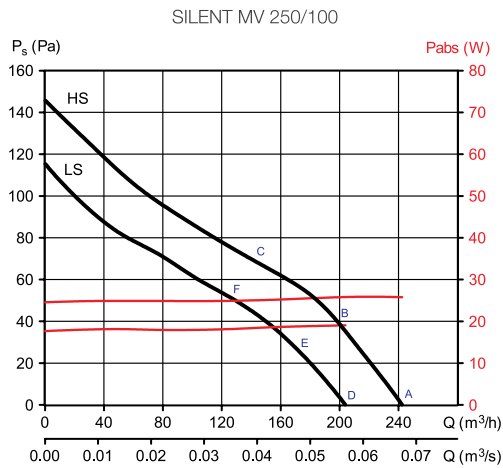
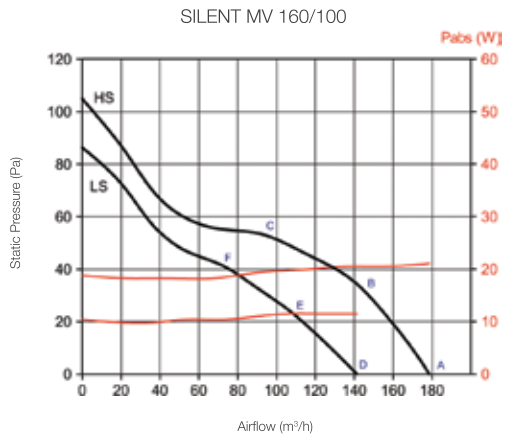
MODEL	A	B	C	D	E	F	G	H
SILMV1300/250	680	248	331	387	140	200	280	171
SILMV2000/315	825	312	373	432	152	260	335	192

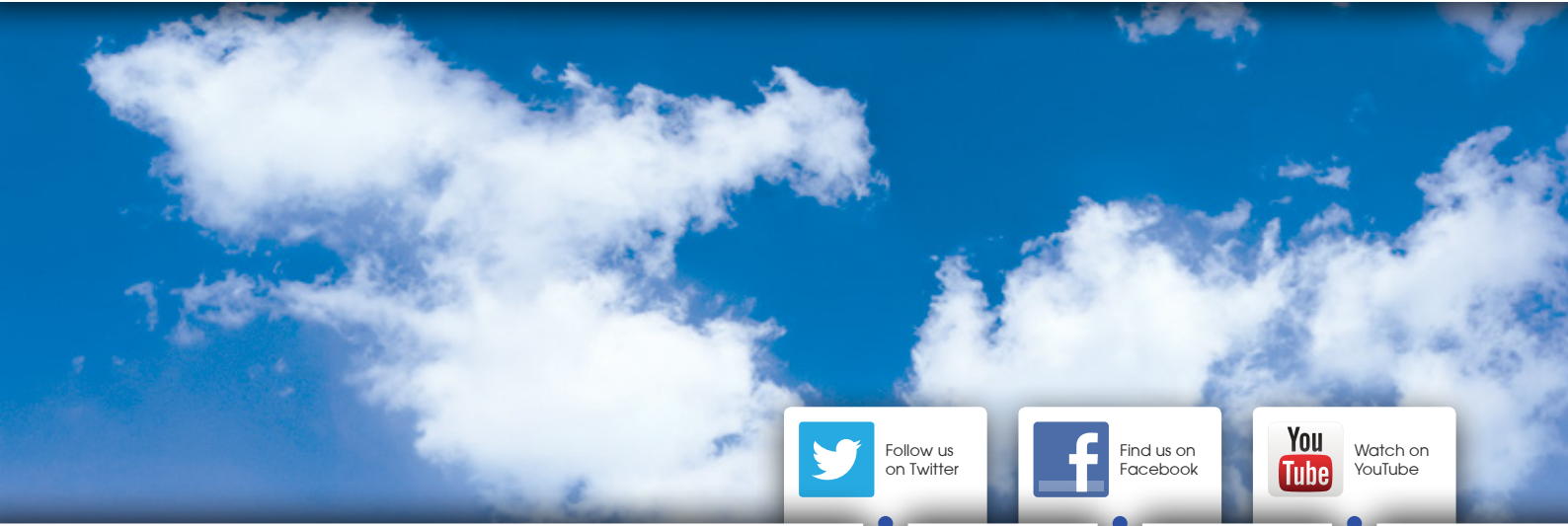
MODEL/ORDER CODES	Speed (r.p.m.)		Watts (W)	Amps (A)	Airflow l/s (m³/h)	Max. Working Temp (°C)	dB(A) @ 3m	Ø Duct (mm)
	Low	High						
SILMV160/100S SILMV160/100T*	Low	2200	12	0.10	39 (140)	40	21	100
	High	2500	25	0.16	50 (180)	40	24	100
SILMV250/100	Low	1850	18	0.10	50 (180)	40	19	100
	High	2200	24	0.11	67 (240)	40	24	100
SILMV350/125	Low	1900	22	0.10	78 (280)	40	19	125
	High	2250	30	0.13	106 (380)	40	19	125
SILMV500/150	Low	1950	44	0.19	119 (430)	60	17	150
	High	2500	50	0.22	161 (580)	60	22	150
SILMV800/200	Low	2480	60	0.26	194 (700)	60	18	200
	High	2780	95	0.30	244 (880)	60	19	200
SILMV1000/200	Low	2000	100	0.45	222 (800)	60	20	200
	High	2500	120	0.50	306 (1100)	60	21	200

MODEL/ORDER CODES	Speed (r.p.m.)		Watts (W)	Amps (A)	Airflow l/s (m³/h)	Sound Pressure Level* dB(A)			Weight (Kg)
	Low	High				Inlet	Radiated	Discharge	
SILMV1300/250	Low	2190	145	0.61	297 (1070)	42	31	49	20
	High	2570	197	0.83	353 (1270)	47	35	53	
SILMV2000/315	Low	2300	191	0.79	417 (1500)	44	33	48	25
	High	2680	297	1.28	492 (1770)	50	39	55	

* Timer models are commissioned at installation to operate at high speed. Auxiliary two speed switches or variable speed controllers can be used with standard models.

** Sound pressure level at 3 metres in free field conditions at points B and E on curves





envirovent®

Leaders in the manufacture of innovative and sustainable ventilation

EnviroVent Ltd T / 01423 810 810
 EnviroVent House F / 01423 810 910
 Hornbeam Business Park E / info@envirovent.com
 Harrogate
 HG2 8PA W / www.envirovent.com

Due to our policy of continuous innovation and improvement, EnviroVent reserves the right to alter products specification and appearance without notice.
 E&OE | MKT ENV280-V1-13.02.14

