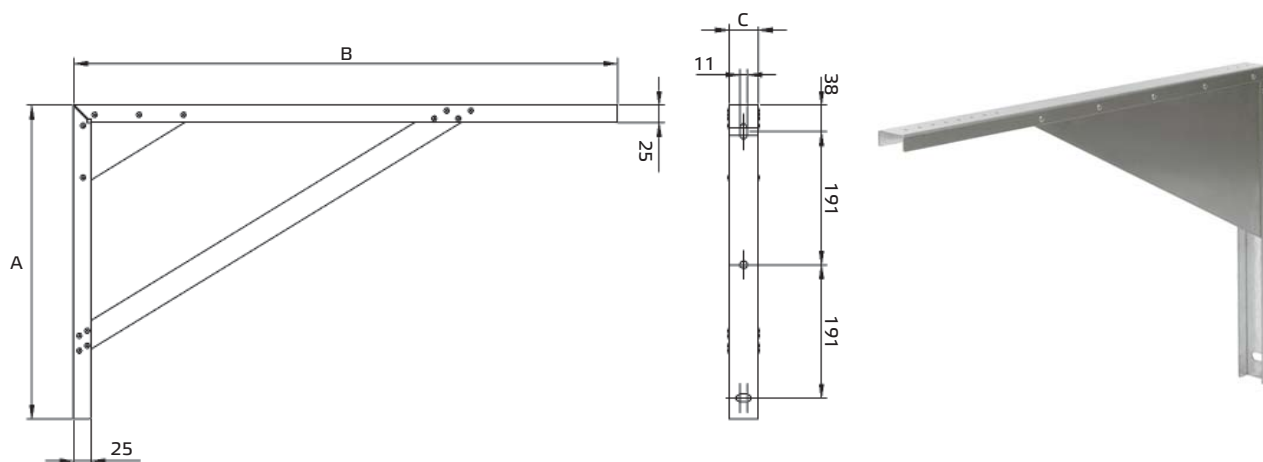


# DATA SHEET

## Wall bracket WK MPS



Type	ID	For models:	A mm	B mm	C mm	Weight kg
<b>WK MPS 07</b>	127953	MPS 225 - 450	450	650	42	5,2
<b>WK MPS 08</b>	128095	MPS 500 - 560	450	884	42	6,4

- Sheet steel, galvanized
- Wall bracket, 1 set = 2 pcs.

