



plug set

NEW RADIAL MOTORIZED EC/AC/DC PLUG SET SERIES

**ADVANCED DESIGN TECHNOLOGY
TO SIMPLIFY APPLICATIONS**



Summary

Introduction.....	4
Main features	4
Models description	6
Data sheets	7
Plug Set AC	
115V: PSB/2-190/060 115VAC	8
230V: PSB/2-190/060 230VAC	9
PSB/2-190/060 230VAC 3V	10
PSB/2-225/088 230VAC	11
PSB/2-250/084 230VAC	12
230/400V: PST/2-190/060 230/400VAC.....	13
PST/2-225/088 230/400VAC	14
PST/2-250/084 230/400VAC	15
Plug Set EC	
230V: PSB/3-190/060 EC 1H0.....	16
PSB/3-225/088 EC 2H0.....	18
PSB/3-250/084 EC 2H0.....	20
With pressure sensor:	
PSB/3-190/060 PS EC 1H0	22
PSB/3-225/088 PS EC 2H0	24
PSB/3-250/084 PS EC 2H0	26
Plug Set DC	
24V: PSB/1-190/060 24VDC	28
48V: PSB/1-190/060 48VDC	29
PSB/1-225/088 48VDC	30
PSB/1-250/084 48VDC	31



Introduction

Plug Set is a new “ready to use”, plug fan from S&P.

This new range of plug fan has been developed by S&P engineers using advanced aerodynamic design software and their extensive experience in motor design.

Plug Set has high efficiency with lowest sound levels for its category. The patented design achieves better performance than the Bmax on its own, more airflow, more pressure, better efficiency and lower sound.

Plug Set is supplied ready to install – just four screws, connect supply cable and it is ready to run in your application.

Main features

- Best performance in the market for:

✓ Enclosures



✓ HRU



✓ Compressors



Main features

- All components suitable for outdoor use.



720h SALT TEST

- Protection Rating



IEC60529

- Incorporates a seal on mounting plate to prevent air leakage.



- Mechanical finger protection



- Two mechanical arrangements:

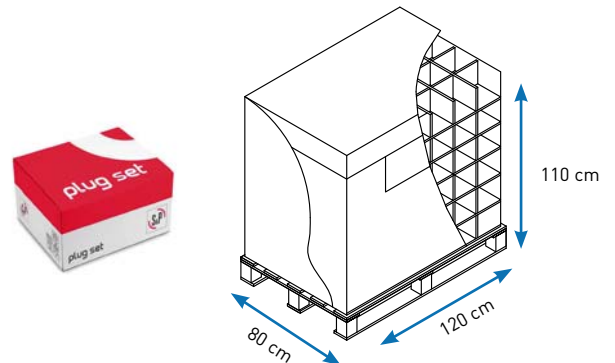


Without inlet finger protection



With inlet finger protection

- Single unit or multiple eurobox packaging (stackable x 2)



Multiple electrical supply versions:

	AC				DC		EC
Plug set versions	1-230V-50/60Hz	3-230/400V-50/60Hz	3-400/460V-50/60Hz	1-115V-50/60Hz	24VDC	48VDC	1-230V-50/60Hz



Models description



PS 1 / 2 - 3 4 5

1 Motor type

- B: Single Phase
- T: Three Phase

2 Number of motor poles (nominal speed)

- 1: DC motor
- 2: 2 Poles motor
- 3: EC motor

3 Impeller diameter / Blade height

4 Electrical Supply

5 Construction

- IG: with Inlet Grill
- Nothing: without Inlet Grill



DATA SHEETS

PSB/2-190/060 115VAC

IP44

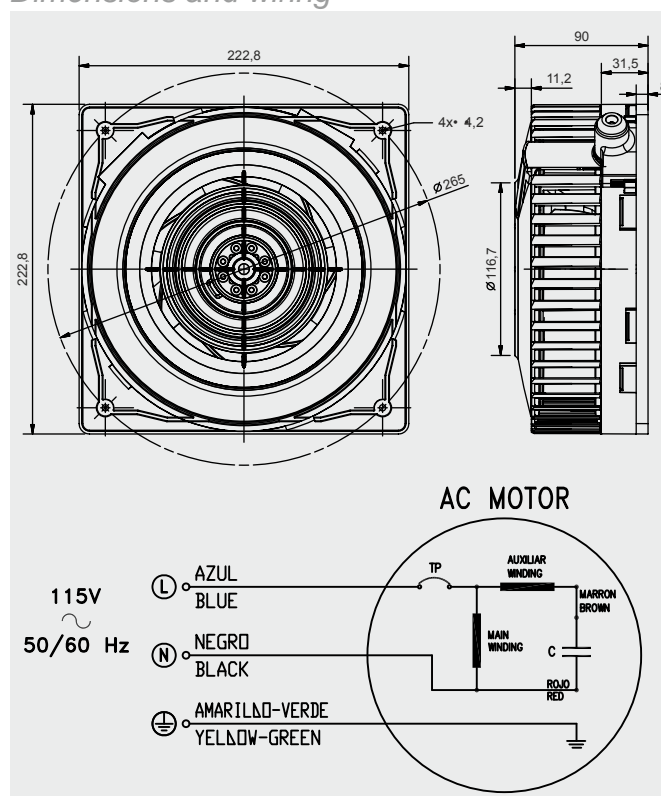


plug set

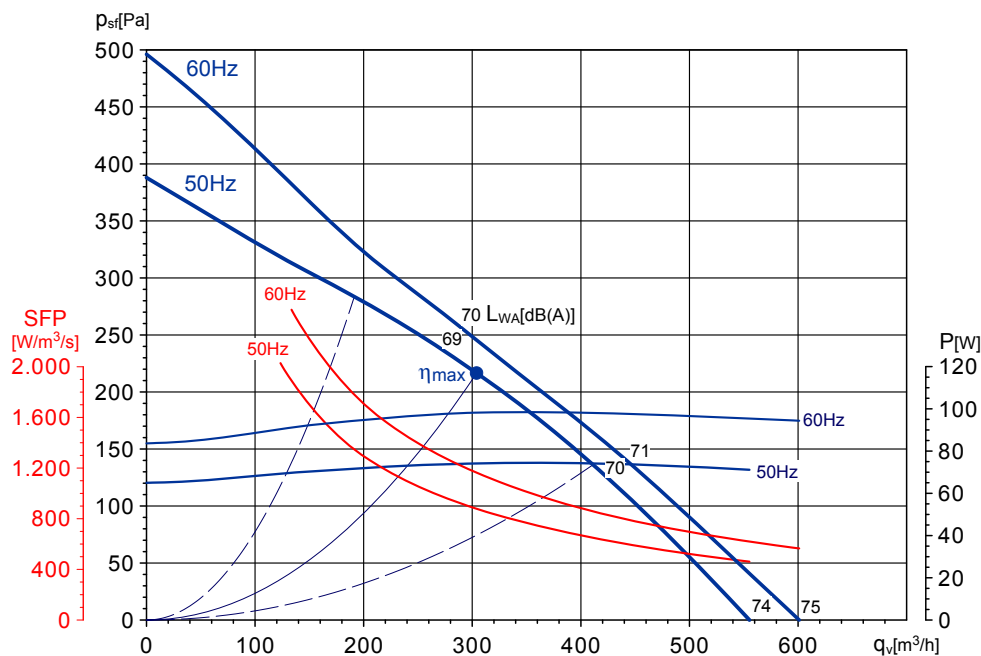
Dimensiones y conexiones
Dimensions and wiring

Características Characteristics

Tensión Voltage	1 ~ 115V 50/60Hz
Tipo motor Motor type	1V IP44 cl.F 1S
Velocidad Speed	2 polos 2 poles
Potencia absorbida máxima Maximum absorbed power	74/99 W
Intensidad absorbida máxima Maximum absorbed current	0,66/0,84 A
Condensador Capacitor	6 µF/250V
Temperatura del aire Air temperature	-40°C<T<+70°C
Peso Weight	1,7 kg
Código ventilador Fan code number	5505000700 ----- (IG)
Código motor Motor code number	



Curvas características / Performance curves (30/01/2014)



Norma de ensayo: ISO 5801
Caudal en m³/h
Presión estática en Pa
Curvas azules de SFP en W/m³/s
Potencia absorbida en W

Test standard: ISO 5801
Air volume in m³/h
Static pressure in Pa
SFP blue curves in W/m³/s
Input Power in W

INLET	63	125	250	500	1000	2000	4000	8000	LwA
L	30	41	62	61	68	70	65	53	74
M	30	41	56	59	65	66	61	48	70
H	33	47	58	59	65	63	59	56	69

OUTLET	63	125	250	500	1000	2000	4000	8000	LwA
L	30	42	63	64	71	76	68	56	78
M	32	41	62	60	68	72	62	50	74
H	34	46	61	62	68	68	57	46	72



Soler&Palau
Ventilation Group

PSB/2-190/060 230VAC

IP44

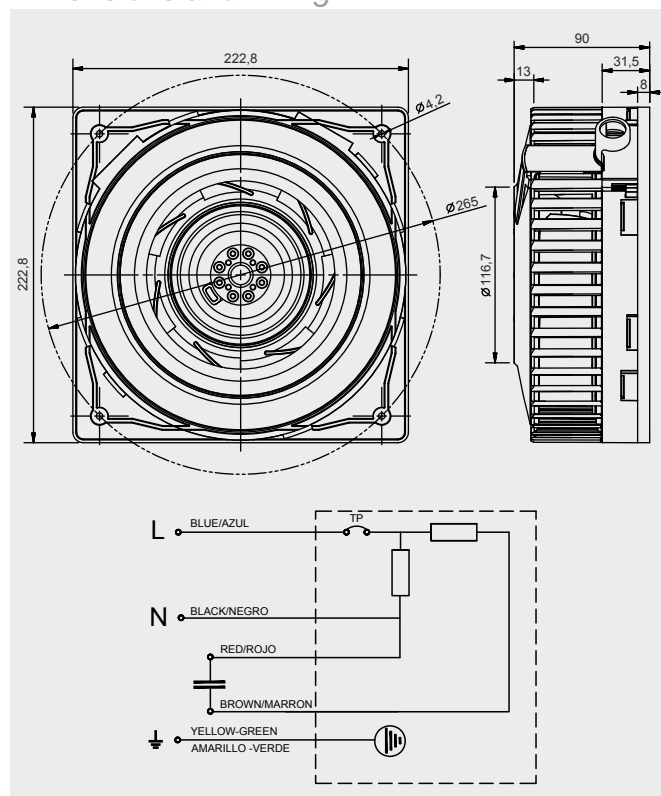
plug set



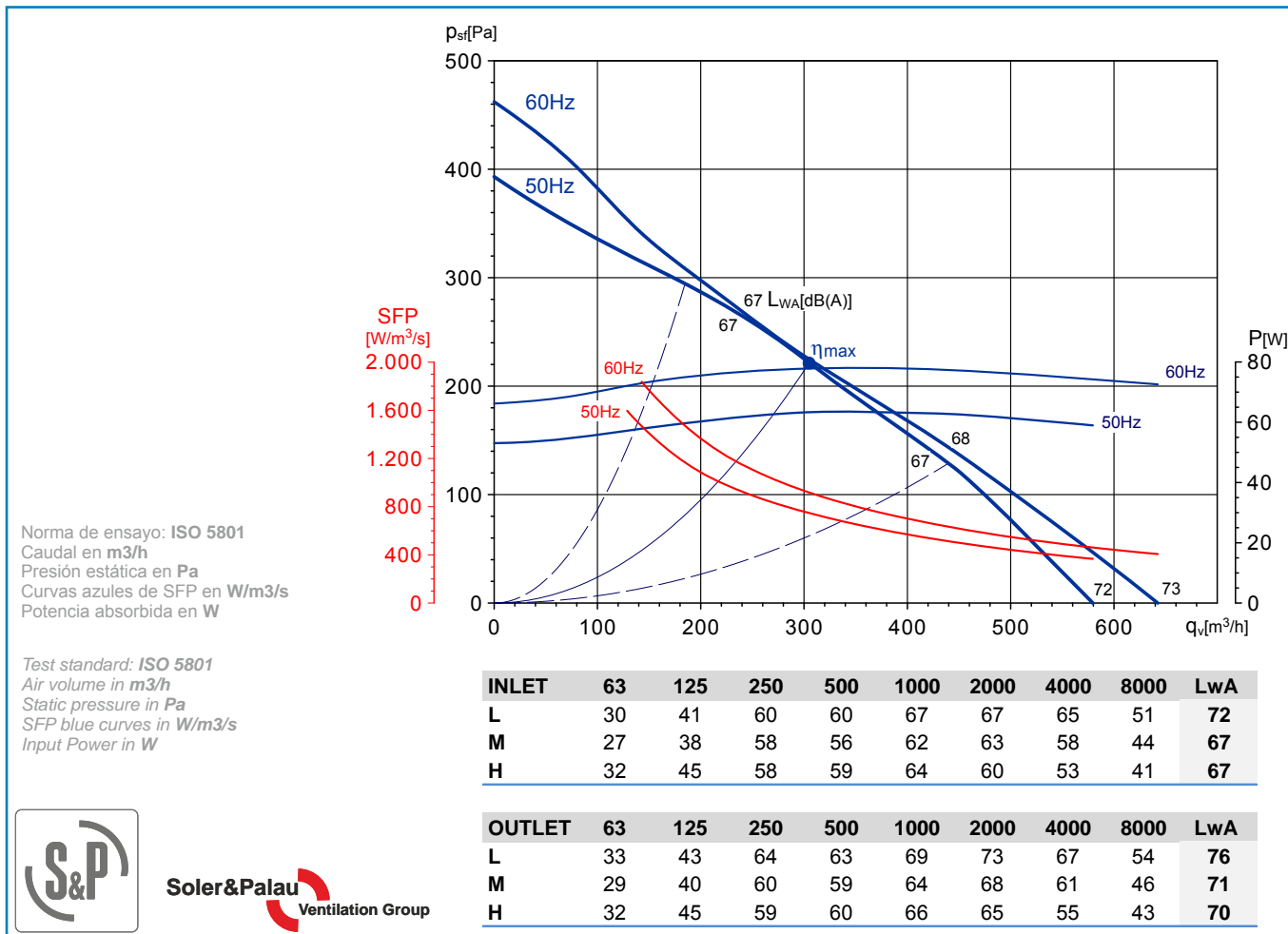
Características Characteristics

Tensión Voltage	1 ~ 230V 50/60Hz
Tipo motor Motor type	1V 1S Ip44 cl.B
Velocidad Speed	2 polos 2 poles
Potencia absorbida máxima Maximum absorbed power	64/78 W
Intensidad absorbida máxima Maximum absorbed current	0,3/0,3 A
Condensador Capacitor	2 µF/440V
Temperatura del aire Air temperature	-40°C<T<+70°C
Peso Weight	1,6 kg
Código ventilador Fan code number	5505000300 5505000200 (IG)
Código motor Motor code number	

Dimensiones y conexiones Dimensions and wiring



Curvas características / Performance curves (27/03/2014)



Norma de ensayo: ISO 5801
Caudal en m³/h
Presión estática en Pa
Curvas azules de SFP en W/m³/s
Potencia absorbida en W

Test standard: ISO 5801
Air volume in m³/h
Static pressure in Pa
SFP blue curves in W/m³/s
Input Power in W

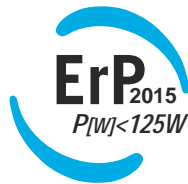


Soler&Palau
Ventilation Group

PSB/2-190/060 230VAC 3V

plug set

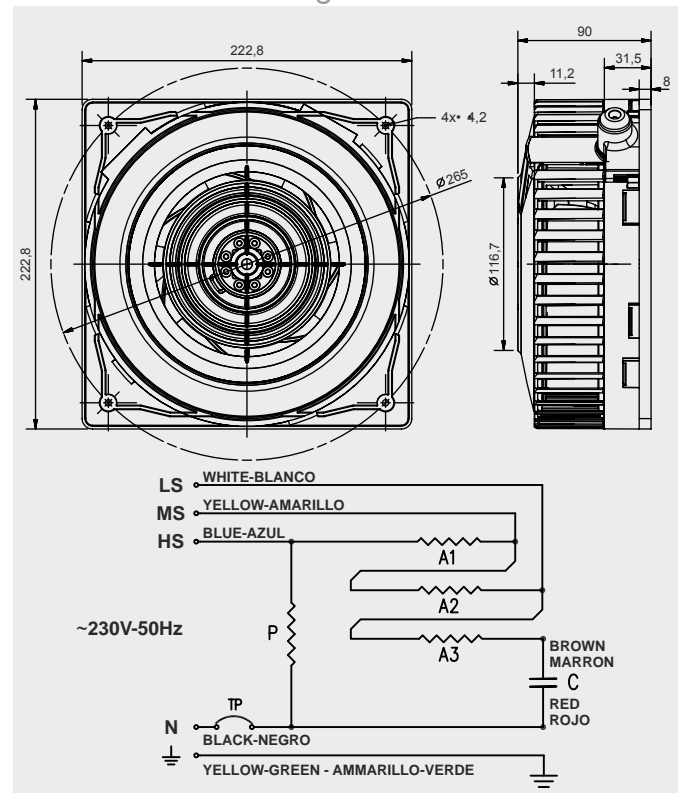
IP44



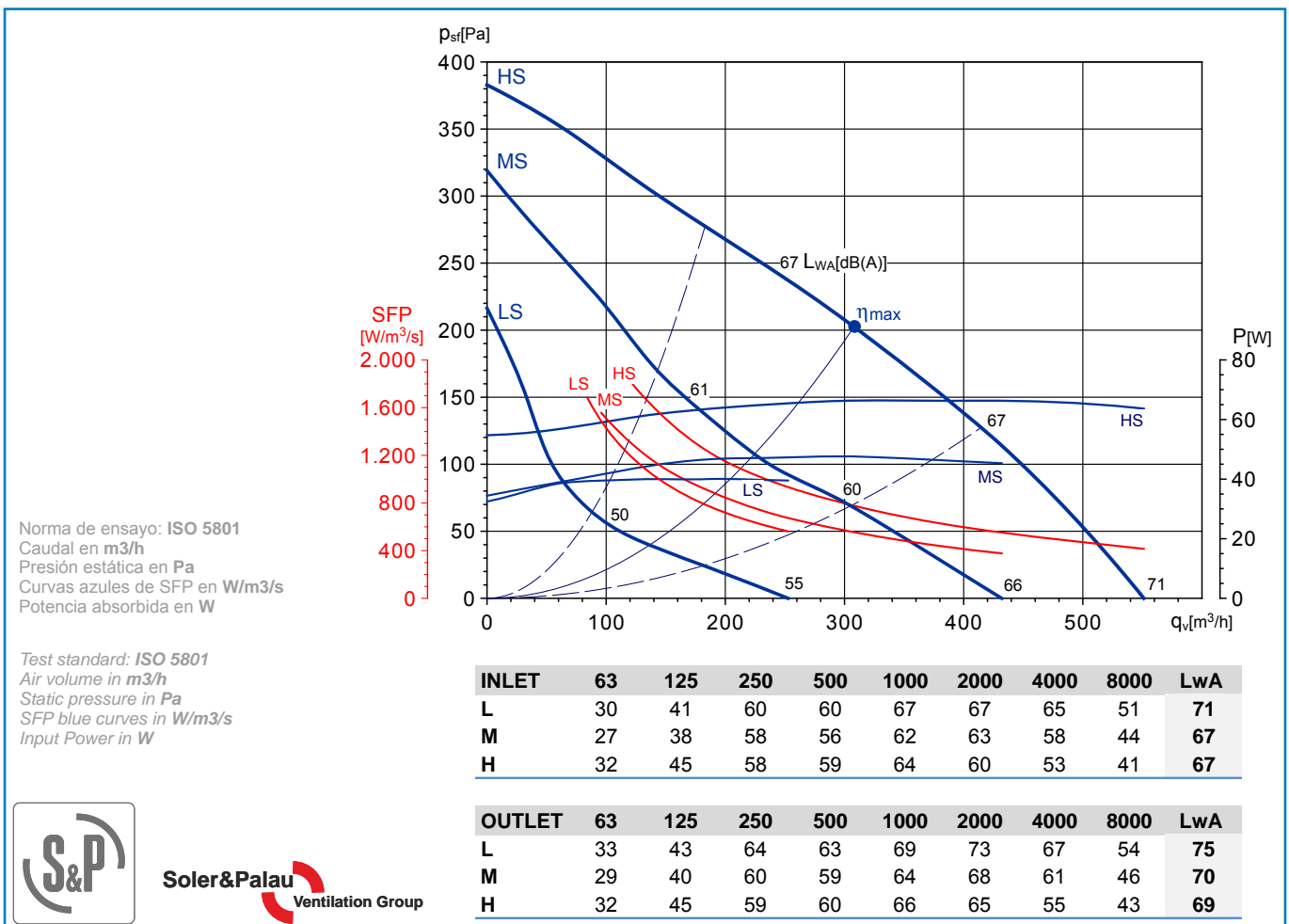
Dimensiones y conexiones
Dimensions and wiring

Características Characteristics

Tensión Voltage	1 ~ 230V 50Hz
Tipo motor Motor type	1V 1S Ip44 cl.B
Velocidad Speed	2 polos 2 poles
Potencia absorbida máxima Maximum absorbed power	67/48/40 W
Intensidad absorbida máxima Maximum absorbed current	0,3/0,2/0,2 A
Condensador Capacitor	2 µF/440V
Temperatura del aire Air temperature	-40°C < T < +70°C
Peso Weight	1,6 kg
Código ventilador Fan code number	----- 5505000600 (IG)
Código motor Motor code number	



Curvas características / Performance curves (17/03/2015)



Soler&Palau
Ventilation Group

PSB/2-225/088M 230VAC

IP44

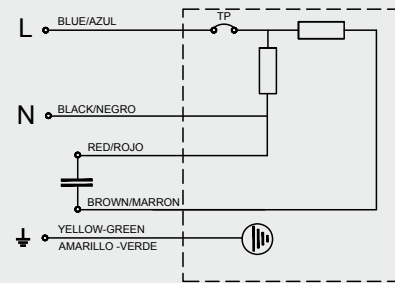
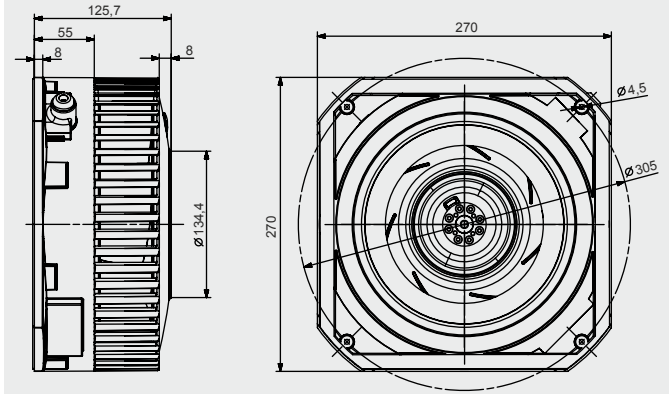
plug set



Dimensiones y conexiones
Dimensions and wiring

Características Characteristics

Tensión Voltage	1 ~ 230V 50/60Hz
Tipo motor Motor type	1V IP44 cl.F 1S
Velocidad Speed	2 polos 2 poles
Potencia absorbida máxima Maximum absorbed power	152/214 W
Intensidad absorbida máxima Maximum absorbed current	0,6/0,9 A
Condensador Capacitor	4 µF/440V
Temperatura del aire Air temperature	-40°C < T < +60°C
Peso Weight	3,4 kg
Código ventilador Fan code number	5505000900 5505001300 (IG)
Código motor Motor code number	



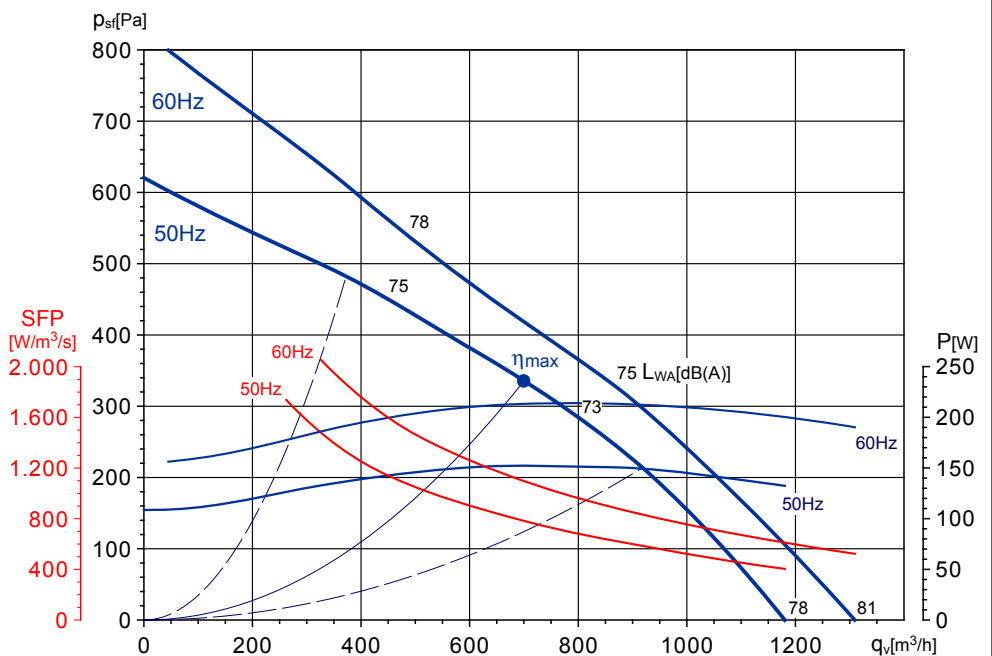
Curvas características / Performance curves (15/07/2015)

	Fan data	ErP 2015
Installation category	A	
Efficiency category	Static	
VSD must be installed with the fan	No	
Specific ratio	1	
Overall efficiency [%]	42,9	42,9
Efficiency grade	62	62,0
Absorbed power [kW]	0,152	
Air volume [m ³ /h]	700	
Total pressure [Pa]	336	
Speed [RPM]	2620	

* Data at optimum efficiency working point

Norma de ensayo: ISO 5801
Caudal en m³/h
Presión estática en Pa
Curvas azules de SFP en W/m³/s
Potencia absorbida en W

Test standard: ISO 5801
Air volume in m³/h
Static pressure in Pa
SFP blue curves in W/m³/s
Input Power in W



INLET 50Hz	63	125	250	500	1000	2000	4000	8000	LwA
L	35	46	61	69	74	73	71	51	78
M	35	44	58	66	70	66	62	53	73
H	44	53	66	70	72	65	59	52	75

INLET 60Hz	63	125	250	500	1000	2000	4000	8000	LwA
L	37	48	62	71	76	75	74	69	81
M	34	45	58	67	72	68	64	56	75
H	46	54	69	72	75	69	62	56	78



Soler & Palau
Ventilation Group

PSB/2-250/084 230VAC

IP44

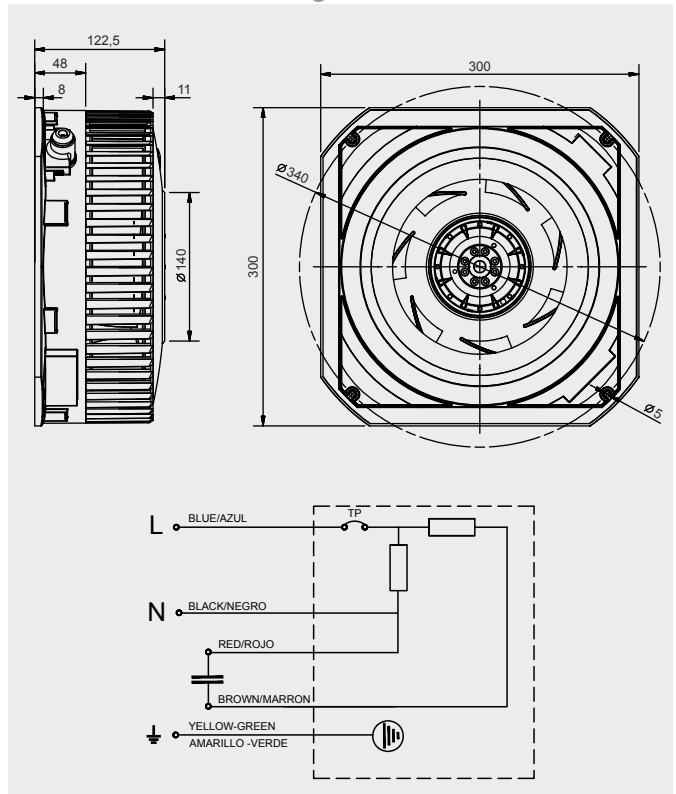
plug set



Dimensiones y conexiones
Dimensions and wiring

Características Characteristics

Tensión Voltage	1 ~ 230V 50/60Hz
Tipo motor Motor type	1V IP44 cl.F 1S
Velocidad Speed	2 polos 2 poles
Potencia absorbida máxima Maximum absorbed power	226/325 W
Intensidad absorbida máxima Maximum absorbed current	1,0/1,4 A
Condensador Capacitor	5 µF/440V
Temperatura del aire Air temperature	-40°C < T < +60°C
Peso Weight	3,9 kg
Código ventilador Fan code number	5505001600 5505001800 (IG)
Código motor Motor code number	



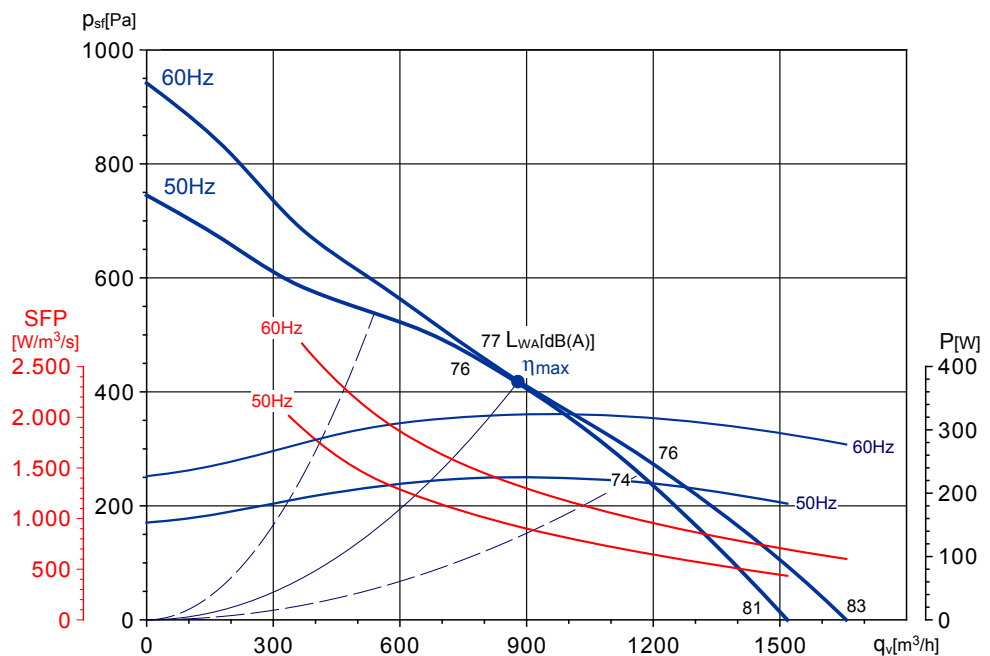
Curvas características / Performance curves (25/01/2016)

	Fan data	ErP 2015
Installation category	A	
Efficiency category	Static	
VSD must be installed with the fan	No	
Specific ratio	1	
Overall efficiency [%]	45	44,7
Efficiency grade	62,3	62,0
Absorbed power [kW]	0,226	
Air volume [m ³ /h]	878	
Total pressure [Pa]	416	
Speed [RPM]	2567	

* Data at optimum efficiency working point

Norma de ensayo: ISO 5801
Caudal en m³/h
Presión estática en Pa
Curvas azules de SFP en W/m³/s
Potencia absorbida en W

Test standard: ISO 5801
Air volume in m³/h
Static pressure in Pa
SFP blue curves in W/m³/s
Input Power in W



INLET 50Hz	63	125	250	500	1000	2000	4000	8000	LwA
L	38	49	70	71	75	72	78	63	81
M	34	46	66	68	69	68	64	55	74
H	42	53	66	70	72	67	60	53	76

INLET 60Hz	63	125	250	500	1000	2000	4000	8000	LwA
L	39	50	71	73	77	74	79	67	83
M	35	46	68	69	70	71	66	57	76
H	43	54	68	71	73	68	63	58	77

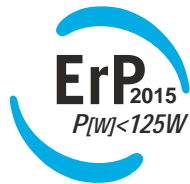


Soler&Palau
Ventilation Group

PST/2-190/060 230/400VAC

plug set

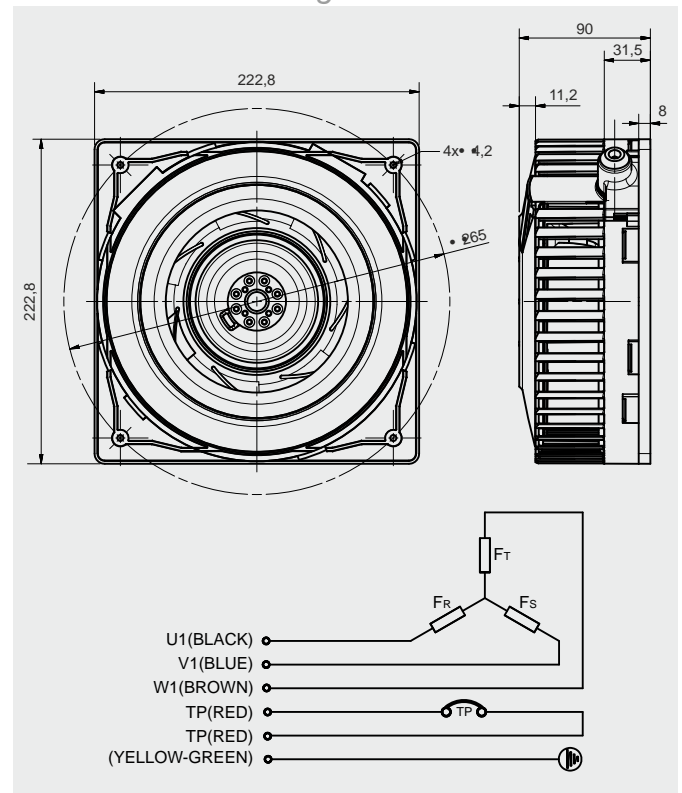
IP44



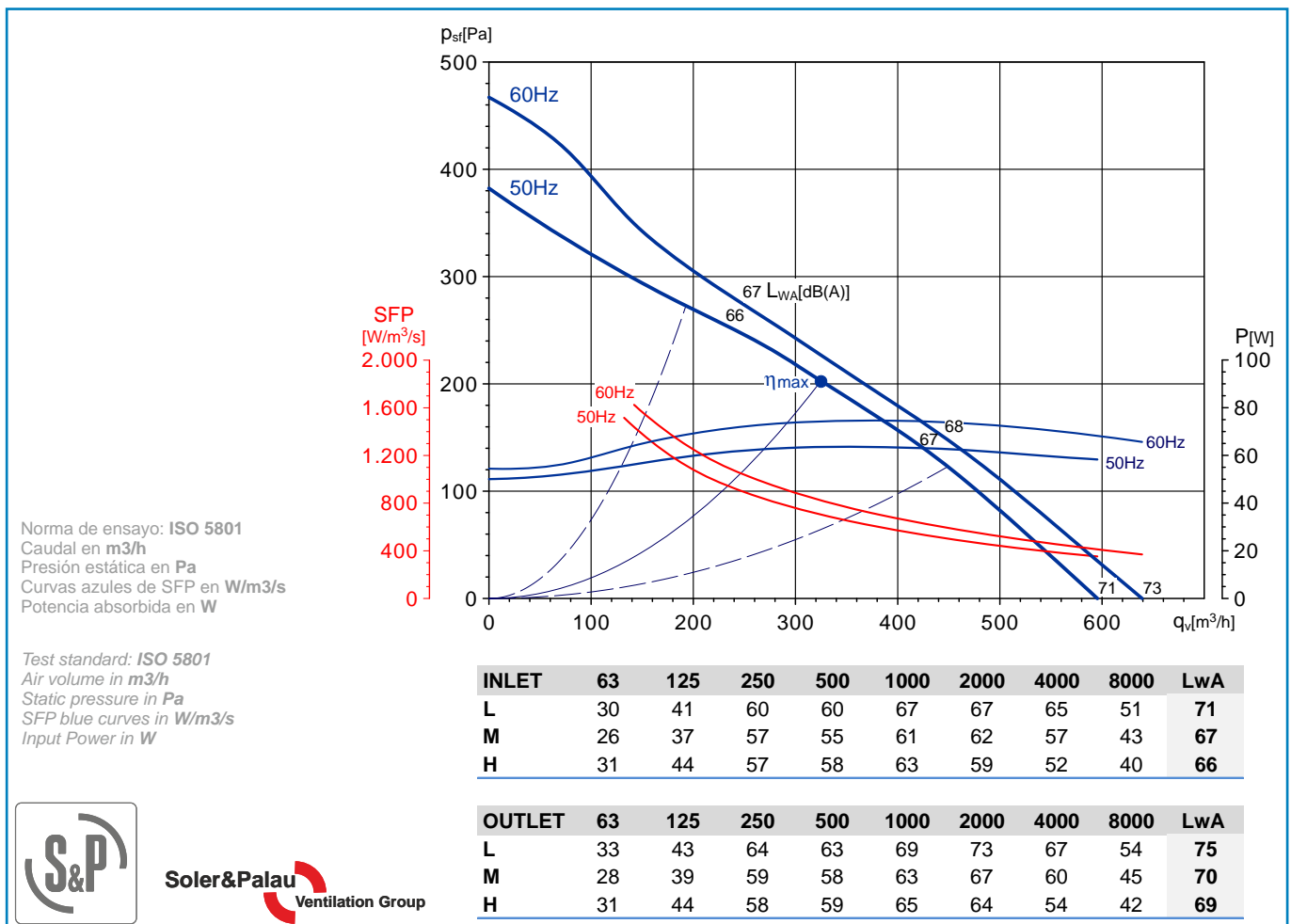
Dimensiones y conexiones
Dimensions and wiring

Características Characteristics

Tensión Voltage	3 ~ 230/400V 50Hz 3 ~ 277/480V 60Hz
Tipo motor Motor type	1V 1S IP44 cl.F
Velocidad Speed	2 polos 2 poles
Potencia absorbida máxima Maximum absorbed power	64/93 W
Intensidad absorbida máxima Maximum absorbed current	0,19/0,11//0,24/0,14 A
Condensador Capacitor	
Temperatura del aire Air temperature	-40°C < T < +60°C
Peso Weight	1,6 kg
Código ventilador Fan code number	5505001000 5505002200 (IG)
Código motor Motor code number	



Curvas características / Performance curves (10/04/2014)



Soler&Palau
Ventilation Group

PST/2-225/088 230/400VAC

plug set

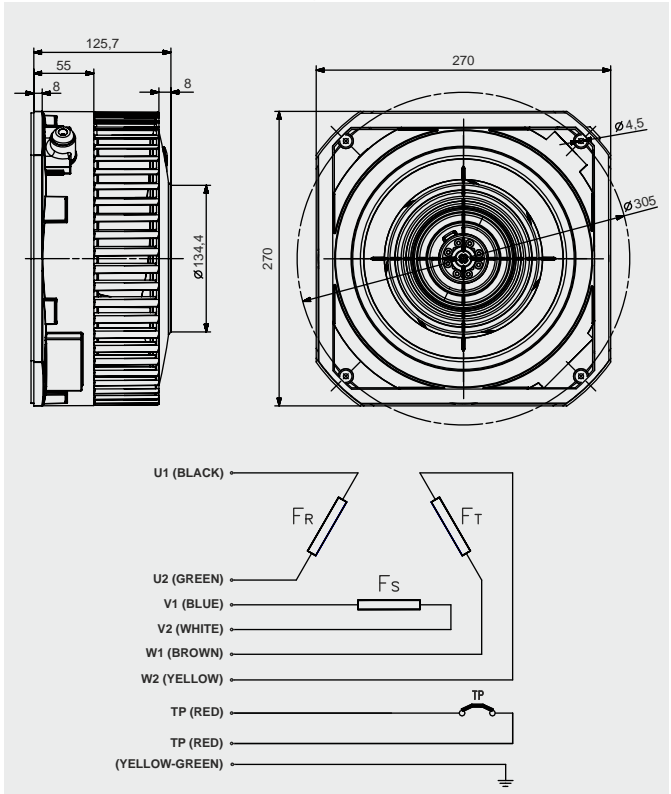
IP44



Dimensiones y conexiones
Dimensions and wiring

Características Characteristics

Tensión Voltage	3 ~ 230/400V 50/60Hz
Tipo motor Motor type	1V 1S IP44 cl.F
Velocidad Speed	2 polos 2 poles
Potencia absorbida máxima Maximum absorbed power	152/215 W
Intensidad absorbida máxima Maximum absorbed current	0,52/0,3//0,52/0,3 A
Condensador Capacitor	
Temperatura del aire Air temperature	-40°C < T < +60°C
Peso Weight	3,4 kg
Código ventilador Fan code number	5505002300 5505001400 (IG)
Código motor Motor code number	



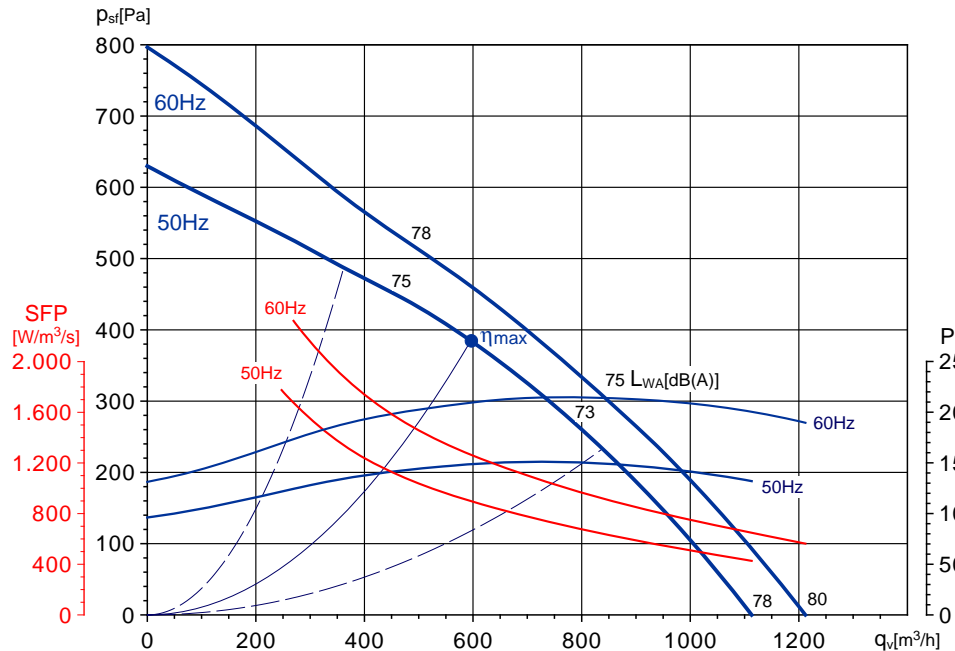
Curvas características / Performance curves (24/03/2015)

	Fan data	ErP 2015
Installation category	A	
Efficiency category	Static	
VSD must be installed with the fan	No	
Specific ratio	1	
Overall efficiency [%]	42,9	42,8
Efficiency grade	62,1	62,0
Absorbed power [kW]	0,149	
Air volume [m ³ /h]	596	
Total pressure [Pa]	385	
Speed [RPM]	2618	

* Data at optimum efficiency working point

Norma de ensayo: ISO 5801
Caudal en m³/h
Presión estática en Pa
Curvas azules de SFP en W/m³/s
Potencia absorbida en W

Test standard: ISO 5801
Air volume in m³/h
Static pressure in Pa
SFP blue curves in W/m³/s
Input Power in W



INLET 50Hz	63	125	250	500	1000	2000	4000	8000	LwA
L	35	46	61	69	74	73	71	51	78
M	35	44	58	66	70	66	62	53	73
H	44	53	66	70	72	65	59	52	75

INLET 60Hz	63	125	250	500	1000	2000	4000	8000	LwA
L	37	48	62	71	76	75	74	69	80
M	34	45	58	67	72	68	64	56	75
H	46	54	69	72	75	69	62	56	78



Soler&Palau
Ventilation Group

PST/2-250/084 230VAC

IP44

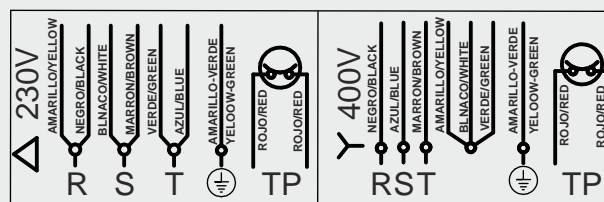
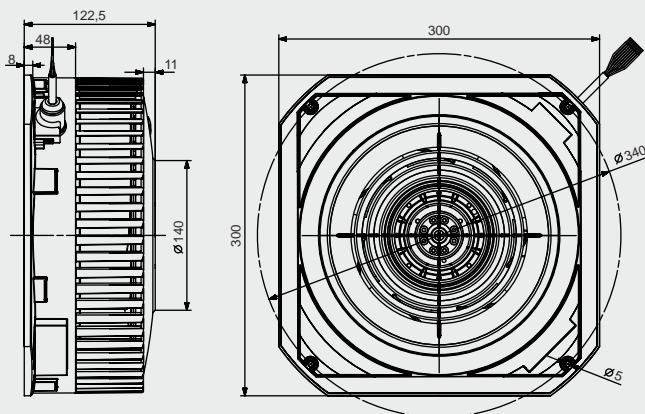
plug set



Dimensiones y conexiones
Dimensions and wiring

Características Characteristics

Tensión Voltage	3 ~ 230/400V 50/60Hz
Tipo motor Motor type	1V IP44 cl.F 1S
Velocidad Speed	2 polos 2 poles
Potencia absorbida máxima Maximum absorbed power	244/354 W
Intensidad absorbida máxima Maximum absorbed current	0,8/1,0 A
Condensador Capacitor	
Temperatura del aire Air temperature	-40°C < T < +60°C
Peso Weight	3,9 kg
Código ventilador Fan code number	5505002400 5505002100 (IG)
Código motor Motor code number	



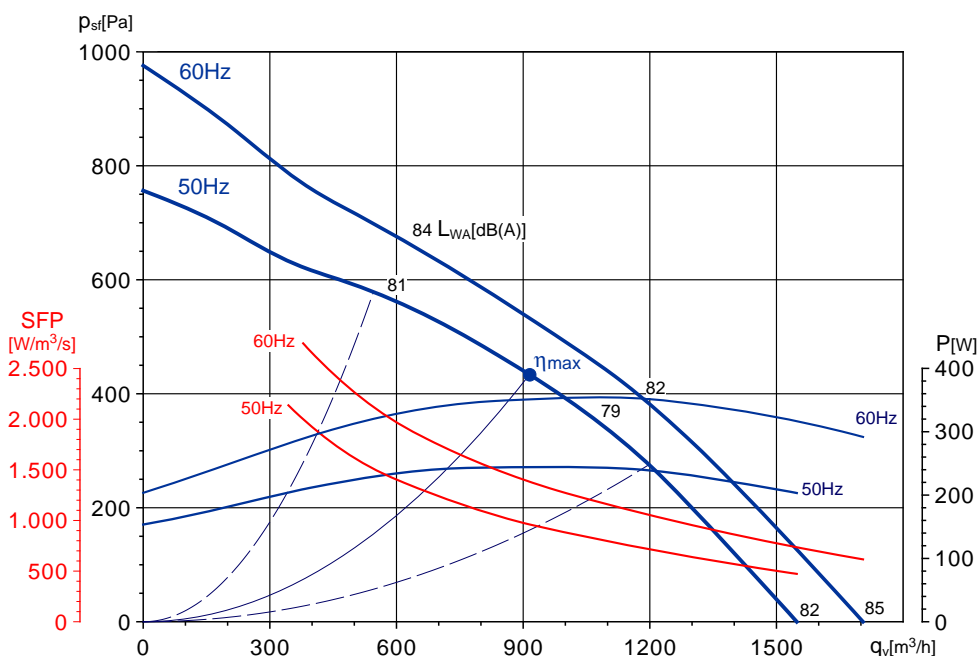
Curvas características / Performance curves (30/06/2016)

	Fan data	ErP 2015
Installation category	A	
Efficiency category	Static	
VSD must be installed with the fan	No	
Specific ratio	1	
Overall efficiency [%]	45,1	45,1
Efficiency grade	62	62,0
Absorbed power [kW]	0,244	
Air volume [m ³ /h]	915	
Total pressure [Pa]	434	
Speed [RPM]	2649	

* Data at optimum efficiency working point

Norma de ensayo: ISO 5801
Caudal en m³/h
Presión estática en Pa
Curvas azules de SFP en W/m³/s
Potencia absorbida en W

Test standard: ISO 5801
Air volume in m³/h
Static pressure in Pa
SFP blue curves in W/m³/s
Input Power in W



INLET 50Hz	63	125	250	500	1000	2000	4000	8000	LwA
L	42	51	66	74	77	77	75	67	82
M	40	54	64	74	75	72	68	59	79
H	49	60	72	75	78	72	65	60	81

INLET 60Hz	63	125	250	500	1000	2000	4000	8000	LwA
L	51	54	68	75	81	80	78	72	85
M	41	53	67	75	78	75	70	63	82
H	49	61	75	78	81	75	68	63	84

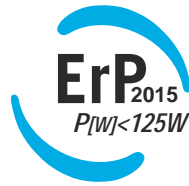


Soler&Palau
Ventilation Group

PSB/3-190/060 EC 1H0

IP44

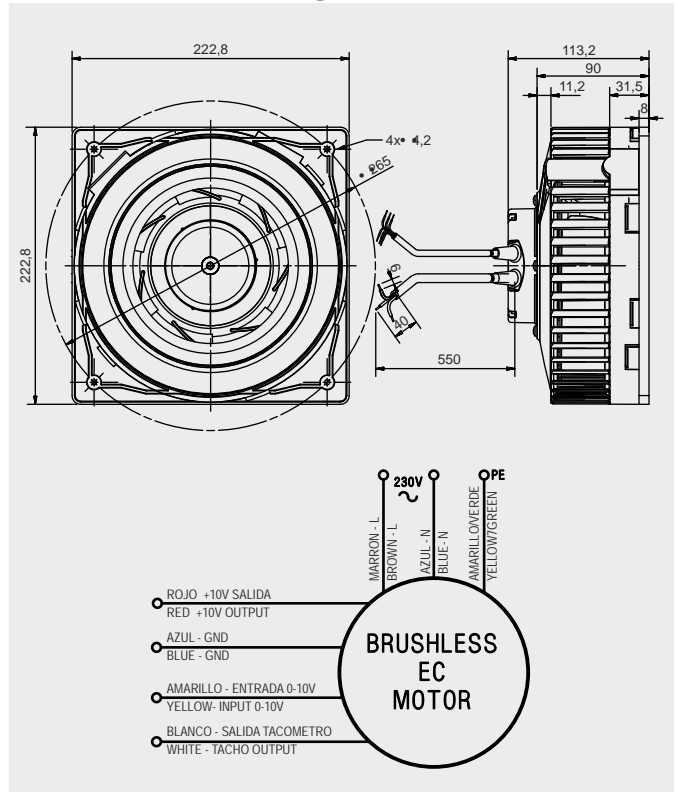
plug set



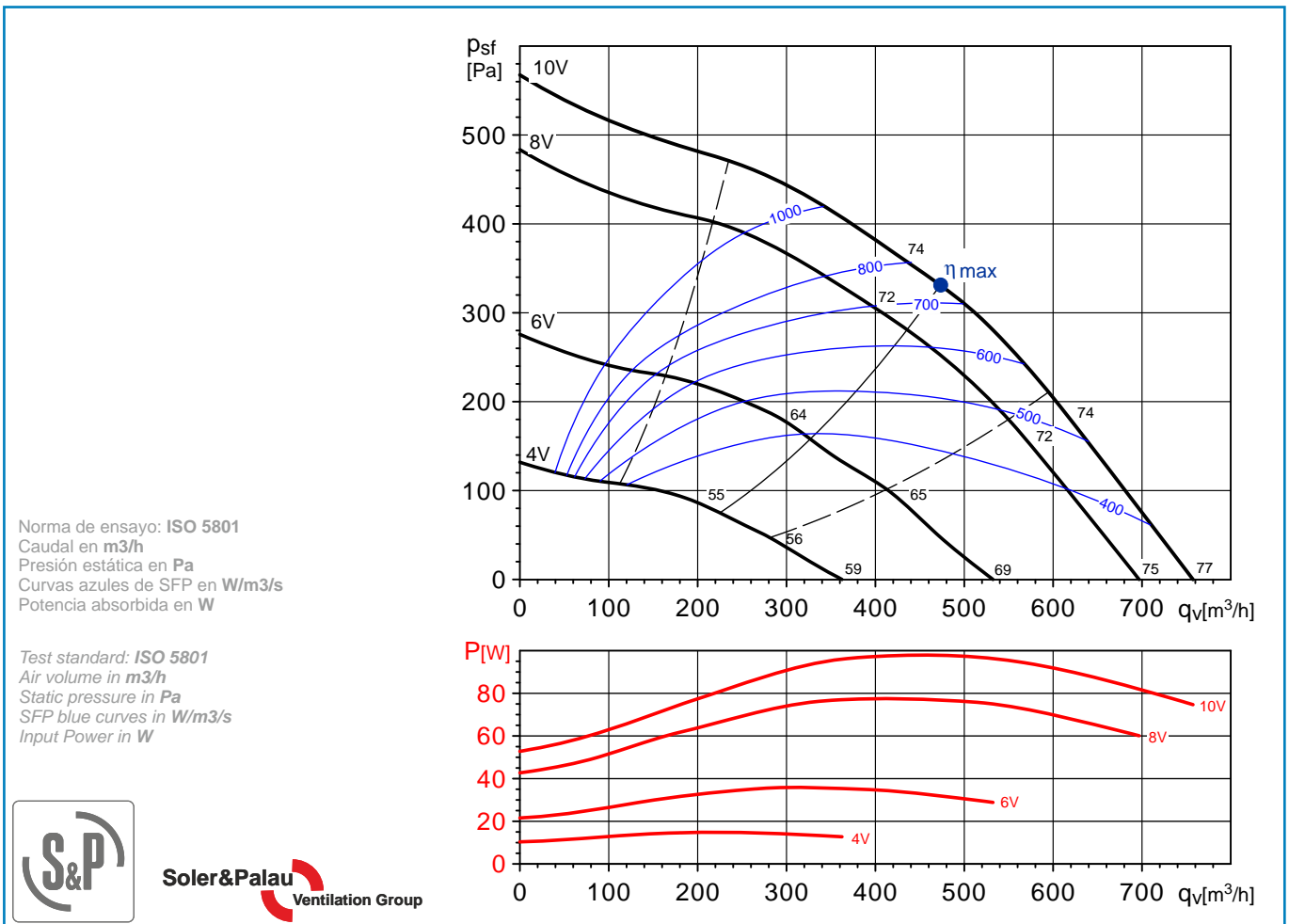
Dimensiones y conexiones
Dimensions and wiring

Características Characteristics

Tensión Voltage	1 ~ 230V 50/60Hz
Tipo motor Motor type	1V 1S Ip44 cl.B
Velocidad máxima Maximum speed	3275 RPM
Potencia absorbida máxima Maximum absorbed power	98 W
Intensidad absorbida máxima Maximum absorbed current	0,7 A
Condensador Capacitor	
Temperatura del aire Air temperature	-20°C < T < +60°C
Peso Weight	1,7 kg
Código ventilador Fan code number	5505000100 5505000000 (IG)
Código motor Motor code number	



Curvas características / Performance curves (20/03/2014)



Soler&Palau
Ventilation Group

PSB/3-190/060 EC 1H0

IP44

plug set

Características Characteristics

Model type	Input tension regul. (V)	Speed (rpm)	Maximum power absorbed (W)	Maximum current absorbed (A)	Maximum air volume (m3/h)
PSB/3-190/060 EC 1H0	10	3275	98	0,7	760
	8	3030	77	0,5	700
	6	2300	36	0,3	530
	4	1570	15	0,1	360

Leakage current: ≤ 3.5 mA

EMC interference immunity according to: EN 61000-6-1

EMC interference immunity according to: EN 61000-6-2

EMC interference emission according to: EN 61000-6-3

EMC interference emission according to: EN 61000-6-4

EMC harmonics according to: EN 61000-3-2

Control input 0-10 VDC / PWM (Speed adjustment input).

Tacho output.

Output 15 VDC, max. 100 mA

Output 10 VDC, max. 2.5 mA

Alarm relay

PROTECTIONS:

- Locked-rotor protection.

- Motor current limit.

- Over-torque protected.

- Over-temperature protected electronics / motor.

- Line undervoltage detection.

- Soft start.

Características acústicas Acoustic characteristics

Norma de ensayo: ISO 5801

Espectros de potencia sonora en dB(A)

Test standard: ISO 5801
Sound power spectrum in dB(A)

INLET 10V	63	125	250	500	1000	2000	4000	8000	LwA
L	33	44	57	70	73	72	69	60	77
M	33	43	55	67	69	69	67	55	74
H	34	44	58	67	70	67	63	54	74

INLET 6V	63	125	250	500	1000	2000	4000	8000	LwA
L	28	39	59	57	64	63	61	45	69
M	26	37	55	53	60	61	56	41	65
H	27	41	54	55	60	58	51	41	64

OUTLET 10V	63	125	250	500	1000	2000	4000	8000	LwA
L	41	45	59	71	76	79	72	64	82
M	37	44	58	66	73	76	70	59	79
H	36	47	60	69	74	74	66	55	78

OUTLET 6V	63	125	250	500	1000	2000	4000	8000	LwA
L	29	40	58	60	66	69	63	49	72
M	26	38	54	57	63	67	59	44	69
H	30	43	57	59	63	63	52	41	67

INLET 8V	63	125	250	500	1000	2000	4000	8000	LwA
L	31	43	64	64	71	70	67	56	75
M	31	41	61	61	67	67	65	51	72
H	33	43	62	63	68	65	61	51	72

INLET 4V	63	125	250	500	1000	2000	4000	8000	LwA
L	24	41	51	49	54	56	43	31	59
M	21	38	47	45	50	54	38	27	56
H	22	37	45	47	49	51	36	27	55

OUTLET 8V	63	125	250	500	1000	2000	4000	8000	LwA
L	38	44	65	67	74	76	70	60	79
M	36	43	60	64	71	74	68	56	77
H	36	46	64	65	71	71	63	52	75

OUTLET 4V	63	125	250	500	1000	2000	4000	8000	LwA
L	22	42	51	51	56	63	46	34	64
M	22	36	47	49	54	62	42	30	63
H	24	39	48	51	53	55	38	27	59



Soler&Palau
Ventilation Group

PSB/3-225/088 EC 2H0

IP44

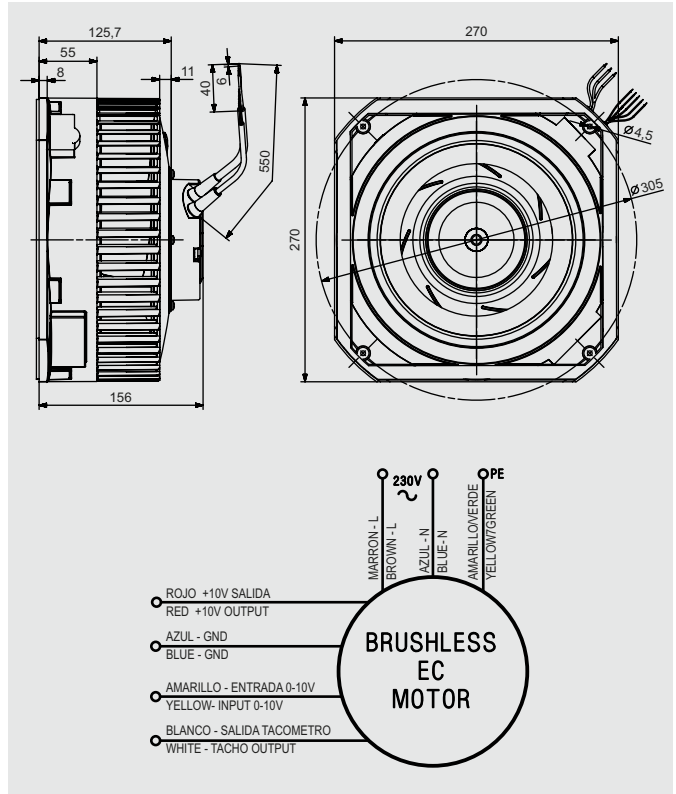
plug set



Dimensiones y conexiones
Dimensions and wiring

Características Characteristics

Tensión Voltage	1 ~ 230V 50/60Hz
Tipo motor Motor type	1V 1S IP44 cl.B
Velocidad Speed	2900 rpm
Potencia absorbida máxima Maximum absorbed power	167 W
Intensidad absorbida máxima Maximum absorbed current	1,1 A
Condensador Capacitor	
Temperatura del aire Air temperature	-20°C < T < +50°C
Peso Weight	3,4 kg
Código ventilador Fan code number	5505001100 5505001200 (IG)
Código motor Motor code number	



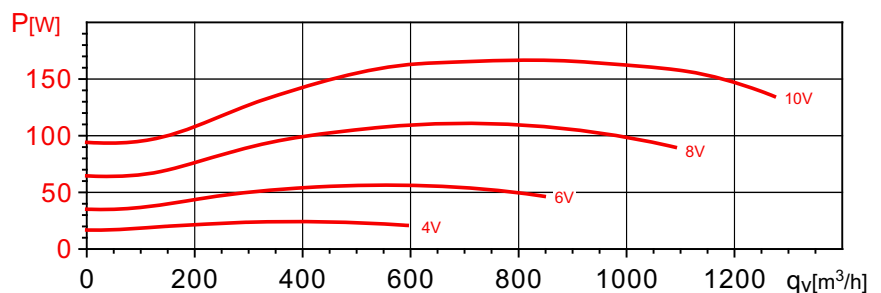
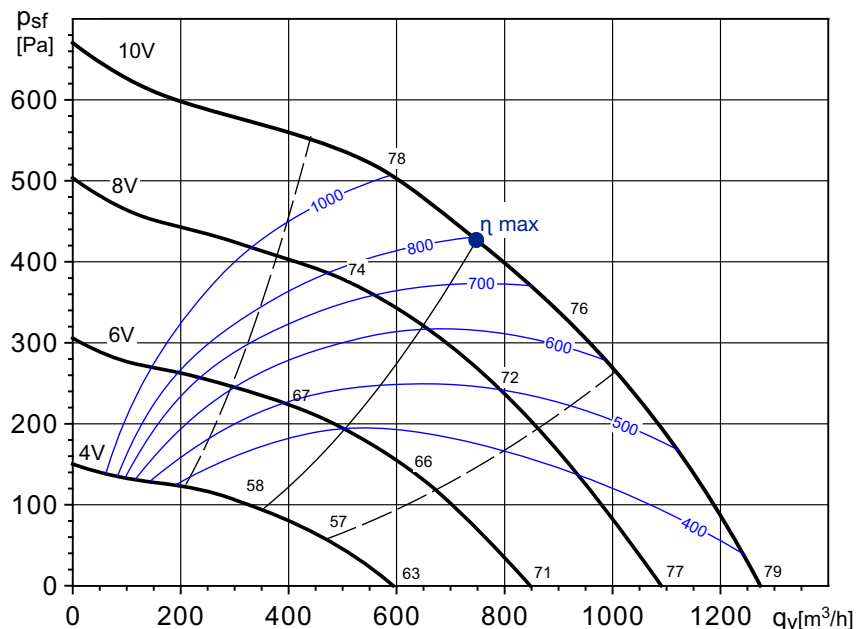
Curvas características / Performance curves (18/06/2015)

	Fan data	ErP 2015
Installation category	A	
Efficiency category	Static	
VSD must be installed with the fan	Si	
Specific ratio	1	
Overall efficiency [%]	61,1	43,3
Efficiency grade	79,8	62,0
Absorbed power [kW]	0,166	
Air volume [m ³ /h]	749	
Total pressure [Pa]	428	
Speed [RPM]	2885	

* Data at optimum efficiency working point

Norma de ensayo: ISO 5801
Caudal en m³/h
Presión estática en Pa
Curvas azules de SFP en W/m³/s
Potencia absorbida en W

Test standard: ISO 5801
Air volume in m³/h
Static pressure in Pa
SFP blue curves in W/m³/s
Input Power in W



Soler&Palau
Ventilation Group

PSB/3-225/088 EC 2H0

IP44

plug set

Características Characteristics

Model type	Input tension regul. (V)	Speed (rpm)	Maximum power absorbed (W)	Maximum current absorbed (A)	Maximum air volume (m3/h)
CRBB/3-225/088 EC 2H0	10	2900	167	1,1	1270
	8	2490	111	0,7	1090
	6	1940	56	0,4	850
	4	1370	24	0,2	590

Leakage current: ≤ 3.5 mA

EMC interference immunity according to: EN 61000-6-1

EMC interference immunity according to: EN 61000-6-2

EMC interference emission according to: EN 61000-6-3

EMC interference emission according to: EN 61000-6-4

EMC harmonics according to: EN 61000-3-2

Control input 0-10 VDC / PWM (Speed adjustment input).

Tacho output.

Output 15 VDC, max. 100 mA

Output 10 VDC, max. 2.5 mA

Alarm relay

PROTECTIONS:

- Locked-rotor protection.

- Motor current limit.

- Over-torque protected.

- Over-temperature protected electronics / motor.

- Line undervoltage detection.

- Soft start.

Características acústicas Acoustic characteristics

Norma de ensayo: ISO 5801

Espectros de potencia sonora en dB(A)

Test standard: ISO 5801

Sound power spectrum in dB(A)

INLET 10V	63	125	250	500	1000	2000	4000	8000	LwA
L	41	48	67	71	76	71	70	69	79
M	43	50	62	69	72	69	66	57	76
H	47	55	69	73	75	69	63	54	78

INLET 6V	63	125	250	500	1000	2000	4000	8000	LwA
L	37	46	55	62	67	65	62	50	71
M	32	43	53	59	63	59	55	42	66
H	37	53	58	62	64	57	50	38	67

OUTLET 10V	63	125	250	500	1000	2000	4000	8000	LwA
L	50	54	71	73	80	82	76	71	85
M	51	50	68	69	77	78	68	60	81
H	52	57	71	74	79	78	68	61	83

OUTLET 6V	63	125	250	500	1000	2000	4000	8000	LwA
L	36	47	59	63	71	73	65	54	76
M	32	44	56	61	67	67	58	48	71
H	39	55	60	63	68	66	55	49	71

INLET 8V	63	125	250	500	1000	2000	4000	8000	LwA
L	39	50	61	68	73	71	70	60	77
M	37	47	59	65	69	66	62	52	72
H	42	54	65	69	71	64	58	49	74

INLET 4V	63	125	250	500	1000	2000	4000	8000	LwA
L	31	43	48	55	60	57	49	37	63
M	27	40	45	51	53	49	42	28	57
H	33	46	49	53	54	47	40	26	58

OUTLET 8V	63	125	250	500	1000	2000	4000	8000	LwA
L	39	51	67	69	77	79	72	64	82
M	37	47	64	65	74	74	64	55	78
H	47	56	67	70	76	74	64	57	79

OUTLET 4V	63	125	250	500	1000	2000	4000	8000	LwA
L	32	46	50	59	65	65	52	43	69
M	27	43	46	53	58	58	43	41	62
H	34	48	51	55	58	55	43	42	62



Soler&Palau
Ventilation Group

PSB/3-250/084 EC 2H0

IP44

plug set



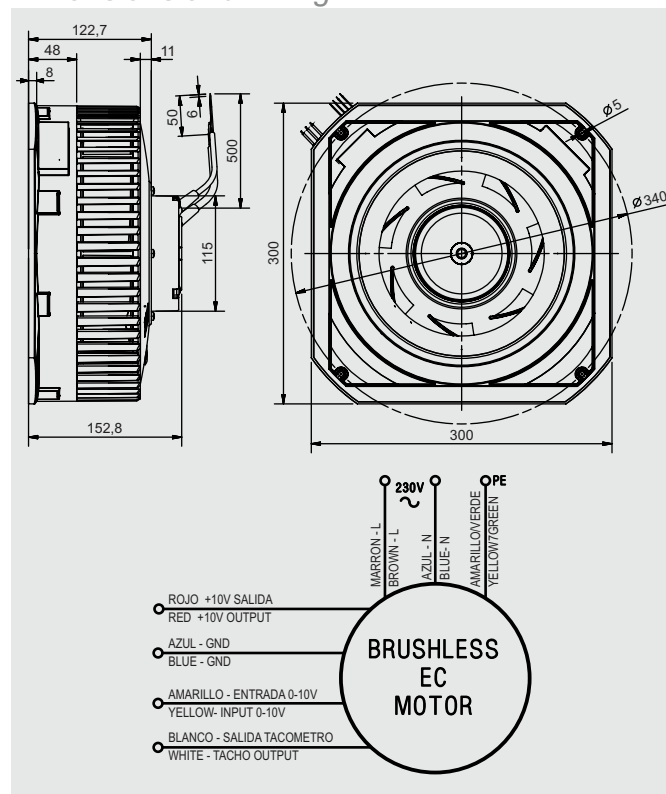
Características

Characteristics

Tensión Voltage	1 ~ 230V 50/60Hz
Tipo motor Motor type	1V 1S IP44 cl.B
Velocidad Speed	2650 rpm
Potencia absorbida máxima Maximum absorbed power	207 W
Intensidad absorbida máxima Maximum absorbed current	1,4 A
Condensador Capacitor	
Temperatura del aire Air temperature	-20°C < T < +50°C
Peso Weight	3,0 kg
Código ventilador Fan code number	5505001700 5505001900 (IG)
Código motor Motor code number	

Dimensiones y conexiones

Dimensions and wiring



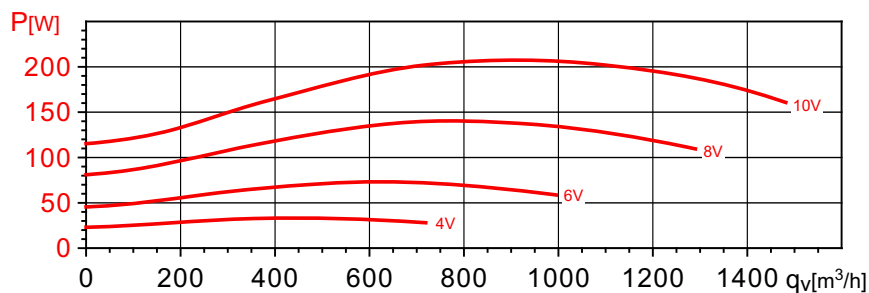
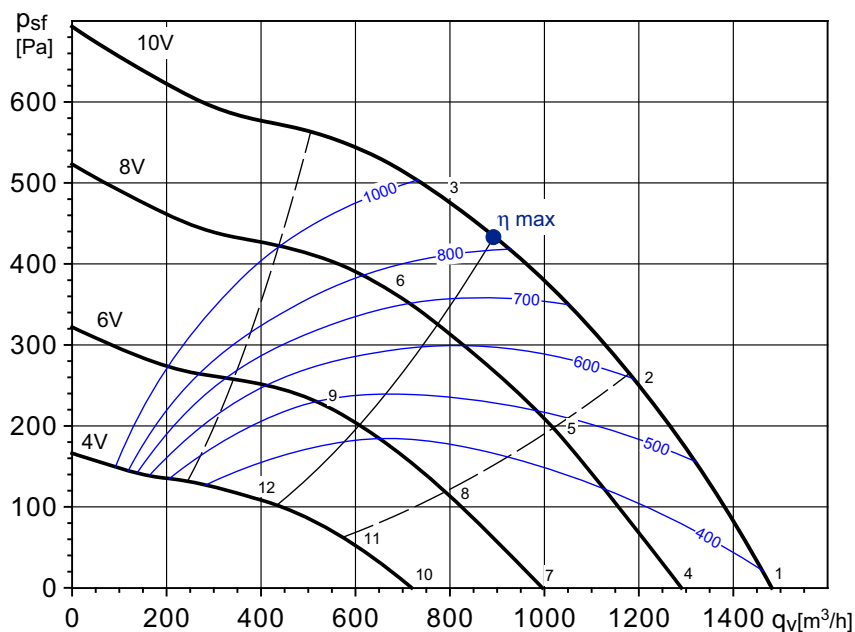
Curvas características / Performance curves (21/01/2016)

	Fan data	ErP 2015
Installation category	A	
Efficiency category	Static	
VSD must be installed with the fan	No	
Specific ratio	1	
Overall efficiency [%]	51,9	44,3
Efficiency grade	69,6	62,0
Absorbed power [kW]	0,207	
Air volume [m ³ /h]	893	
Total pressure [Pa]	433	
Speed [RPM]	2648	

* Data at optimum efficiency working point

Norma de ensayo: ISO 5801
Caudal en m³/h
Presión estática en Pa
Curvas azules de SFP en W/m³/s
Potencia absorbida en W

Test standard: ISO 5801
Air volume in m³/h
Static pressure in Pa
SFP blue curves in W/m³/s
Input Power in W



Soler&Palau
Ventilation Group

PSB/3-250/084 EC 2H0

IP44

plug set

Características Characteristics

Model type	Input tension regul. (V)	Speed (rpm)	Maximum power absorbed (W)	Maximum current absorbed (A)	Maximum air volume (m3/h)
CRBB/3-250/084 EC 2H0	10	2650	207	1,4	1480
	8	2300	140	1,0	1290
	6	1800	73	0,6	1000
	4	1290	33	0,3	720

Leakage current: ≤ 3.5 mA

EMC interference immunity according to: EN 61000-6-1

EMC interference immunity according to: EN 61000-6-2

EMC interference emission according to: EN 61000-6-3

EMC interference emission according to: EN 61000-6-4

EMC harmonics according to: EN 61000-3-2

Control input 0-10 VDC / PWM (Speed adjustment input).

Tacho output.

Output 15 VDC, max. 100 mA

Output 10 VDC, max. 2.5 mA

Alarm relay

PROTECTIONS:

- Locked-rotor protection.

- Motor current limit.

- Over-torque protected.

- Over-temperature protected electronics / motor.

- Line undervoltage detection.

- Soft start.

Características acústicas Acoustic characteristics

Norma de ensayo: ISO 5801

Espectros de potencia sonora en dB(A)

Test standard: ISO 5801
Sound power spectrum in dB(A)

INLET 10V	63	125	250	500	1000	2000	4000	8000	LwA
1	41	53	72	72	76	73	77	64	82
2	38	49	68	70	71	71	67	58	77
3	40	52	65	71	72	68	63	58	76

OUTLET 10V	63	125	250	500	1000	2000	4000	8000	LwA
1	44	54	72	73	81	80	76	68	85
2	42	49	66	70	76	76	71	61	80
3	42	53	66	70	77	75	66	59	80

INLET 8V	63	125	250	500	1000	2000	4000	8000	LwA
4	39	50	69	68	72	70	68	59	77
5	35	46	63	65	68	66	62	53	72
6	38	50	63	65	69	63	58	53	72

OUTLET 8V	63	125	250	500	1000	2000	4000	8000	LwA
4	39	51	67	69	77	76	71	61	81
5	36	47	62	65	73	72	66	56	77
6	38	50	62	66	74	70	61	54	76

INLET 6V	63	125	250	500	1000	2000	4000	8000	LwA
7	37	47	61	63	65	63	60	48	70
8	31	42	57	60	61	60	54	44	66
9	34	47	57	60	62	56	51	45	66

OUTLET 6V	63	125	250	500	1000	2000	4000	8000	LwA
7	37	49	60	63	70	70	63	52	74
8	32	43	56	60	66	66	58	47	70
9	35	48	57	61	66	62	53	45	69

INLET 4V	63	125	250	500	1000	2000	4000	8000	LwA
10	34	51	48	54	57	57	45	36	62
11	29	48	47	50	53	50	40	32	57
12	29	48	48	52	52	47	39	34	57

OUTLET 4V	63	125	250	500	1000	2000	4000	8000	LwA
10	30	49	49	55	62	63	48	39	66
11	27	49	46	51	58	58	43	34	62
12	29	45	47	53	56	53	42	33	60



Soler&Palau
Ventilation Group

PSB/3-190/060 PS EC 1H0

IP44

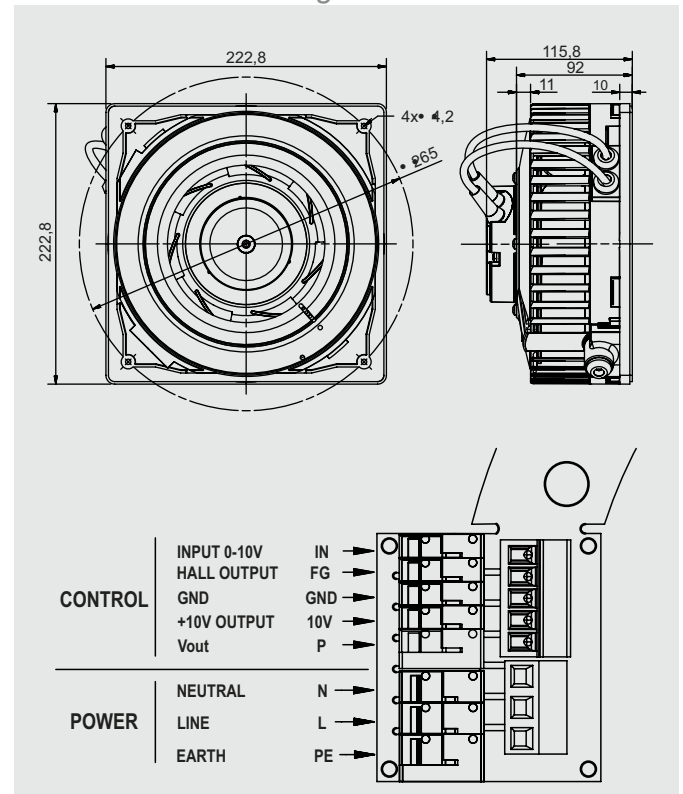
plug set



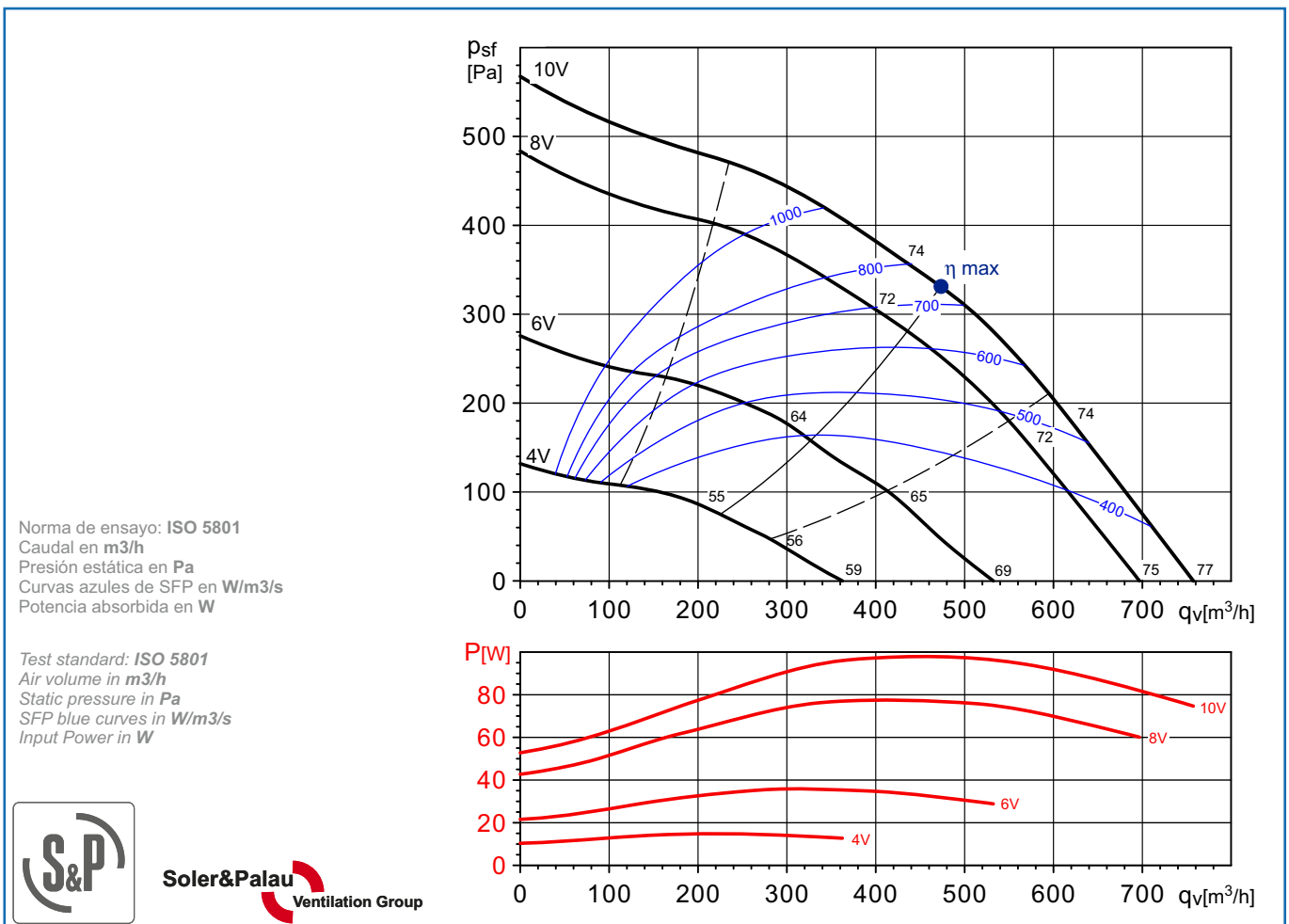
Dimensiones y conexiones
Dimensions and wiring

Características Characteristics

Tensión Voltage	1 ~ 230V 50/60Hz
Tipo motor Motor type	1V 1S IP44 cl.F
Velocidad máxima Maximum speed	3275 RPM
Potencia absorbida máxima Maximum absorbed power	98 W
Intensidad absorbida máxima Maximum absorbed current	0,7 A
Condensador Capacitor	
Temperatura del aire Air temperature	-20°C < T < +60°C
Peso Weight	1,7 kg
Código ventilador Fan code number	5505002800
Código motor Motor code number	



Curvas características / Performance curves (20/03/2014)



Soler&Palau
Ventilation Group

PSB/3-190/060 PS EC 1H0

IP44

plug set

Características Characteristics

Model type	Input tension regul. (V)	Speed (rpm)	Maximum power absorbed (W)	Maximum current absorbed (A)	Maximum air volume (m3/h)
PSB/3-190/060 PS EC 1H0	10	3275	98	0,7	760
	8	3030	77	0,5	700
	6	2300	36	0,3	530
	4	1570	15	0,1	360

Leakage current: $\leq 3.5 \text{ mA}$

EMC interference immunity according to: EN 61000-6-1

EMC interference immunity according to: EN 61000-6-2

EMC interference emission according to: EN 61000-6-3

EMC interference emission according to: EN 61000-6-4

EMC harmonics according to: EN 61000-3-2

Control input 0-10 VDC / PWM (Speed adjustment input).

Tacho output.

Output 15 VDC, max. 100 mA

Output 10 VDC, max. 2.5 mA

Alarm relay

PROTECTIONS:

- Locked-rotor protection.

- Motor current limit.

- Over-torque protected.

- Over-temperature protected electronics / motor.

- Line undervoltage detection.

- Soft start.

Curva V_{out}/q_v

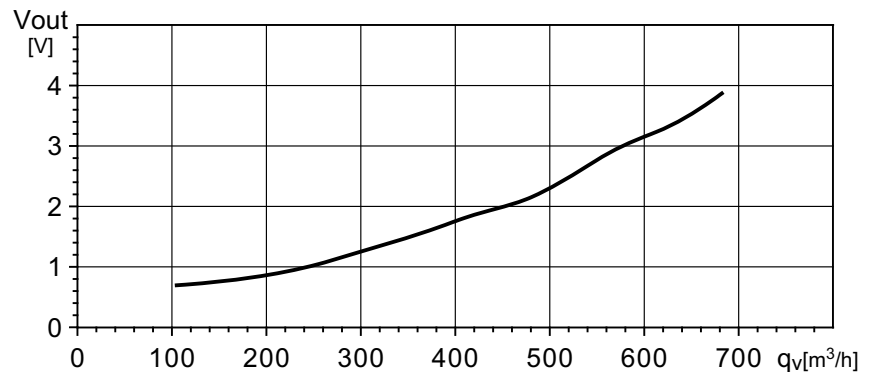
V_{out}/q_v curve

Tensión de salida del sensor de presión en función del caudal

Output tension of the pressure sensor according to air volume

$$Q = k \cdot \sqrt{\Delta P}$$

$$k = 30$$



Características acústicas

Acoustic characteristics

Norma de ensayo: ISO 5801

Espectros de potencia sonora en dB(A)

Test standard: ISO 5801

Sound power spectrum in dB(A)

INLET 10V	63	125	250	500	1000	2000	4000	8000	LwA
L	33	44	57	70	73	72	69	60	77
M	33	43	55	67	69	69	67	55	74
H	34	44	58	67	70	67	63	54	74

INLET 6V	63	125	250	500	1000	2000	4000	8000	LwA
L	28	39	59	57	64	63	61	45	69
M	26	37	55	53	60	61	56	41	65
H	27	41	54	55	60	58	51	41	64

OUTLET 10V	63	125	250	500	1000	2000	4000	8000	LwA
L	41	45	59	71	76	79	72	64	82
M	37	44	58	66	73	76	70	59	79
H	36	47	60	69	74	74	66	55	78

OUTLET 6V	63	125	250	500	1000	2000	4000	8000	LwA
L	29	40	58	60	66	69	63	49	72
M	26	38	54	57	63	67	59	44	69
H	30	43	57	59	63	63	52	41	67

INLET 8V	63	125	250	500	1000	2000	4000	8000	LwA
L	31	43	64	64	71	70	67	56	75
M	31	41	61	61	67	67	65	51	72
H	33	43	62	63	68	65	61	51	72

INLET 4V	63	125	250	500	1000	2000	4000	8000	LwA
L	24	41	51	49	54	56	43	31	59
M	21	38	47	45	50	54	38	27	56
H	22	37	45	47	49	51	36	27	55

OUTLET 8V	63	125	250	500	1000	2000	4000	8000	LwA
L	38	44	65	67	74	76	70	60	79
M	36	43	60	64	71	74	68	56	77
H	36	46	64	65	71	71	63	52	75

OUTLET 4V	63	125	250	500	1000	2000	4000	8000	LwA
L	22	42	51	51	56	63	46	34	64
M	22	36	47	49	54	62	42	30	63
H	24	39	48	51	53	55	38	27	59



Soler&Palau
Ventilation Group

PSB/3-225/088 PS EC 2H0

plug set

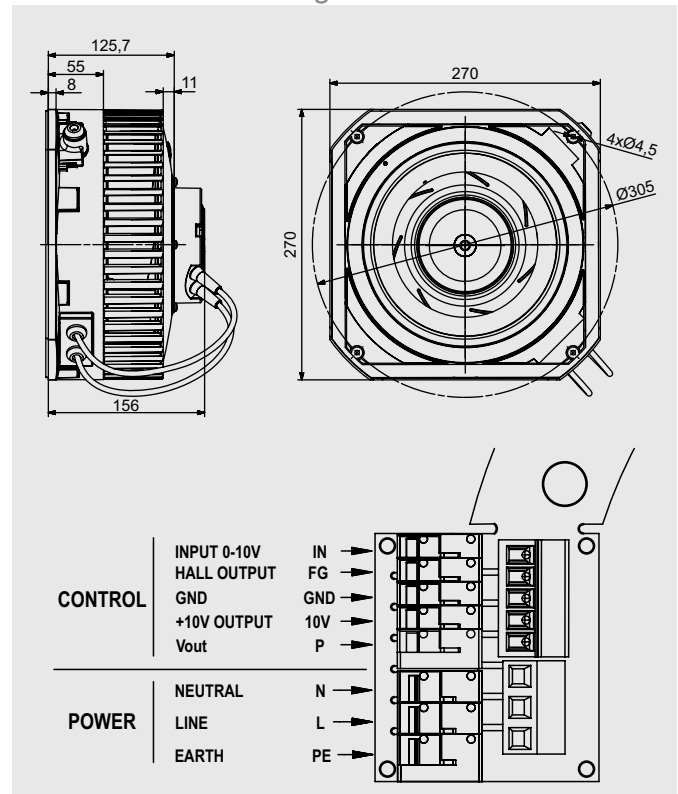
IP44



Dimensiones y conexiones
Dimensions and wiring

Características Characteristics

Tensión Voltage	1 ~ 230V 50/60Hz
Tipo motor Motor type	1V 1S IP44 cl.F
Velocidad Speed	2900 RPM
Potencia absorbida máxima Maximum absorbed power	167 W
Intensidad absorbida máxima Maximum absorbed current	1,1 A
Condensador Capacitor	
Temperatura del aire Air temperature	-20°C < T < +50°C
Peso Weight	3,0 kg
Código ventilador Fan code number	5505002900
Código motor Motor code number	



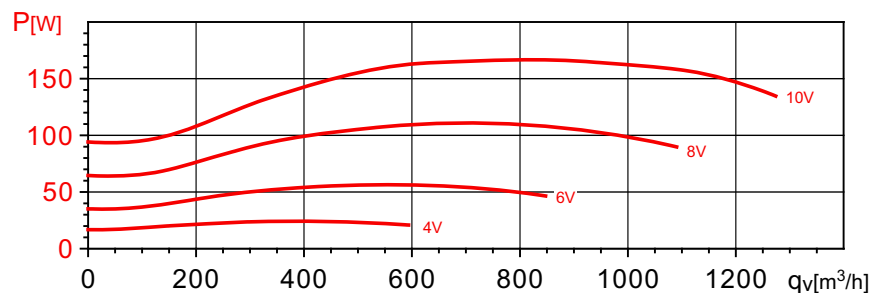
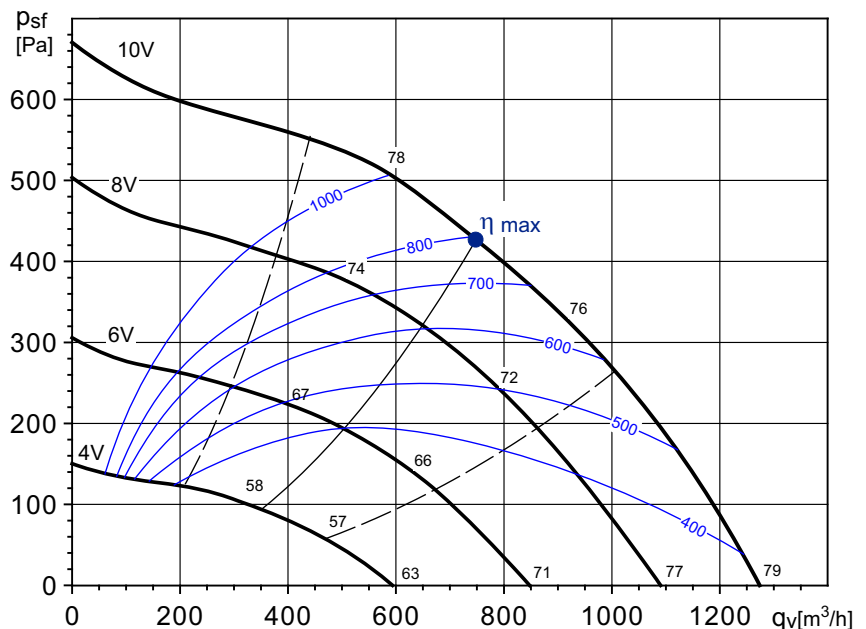
Curvas características / Performance curves (18/06/2015)

	Fan data	ErP 2015
Installation category	A	
Efficiency category	Static	
VSD must be installed with the fan	Si	
Specific ratio	1	
Overall efficiency [%]	61,1	43,3
Efficiency grade	79,8	62,0
Absorbed power [kW]	0,166	
Air volume [m ³ /h]	749	
Total pressure [Pa]	428	
Speed [RPM]	2885	

* Data at optimum efficiency working point

Norma de ensayo: ISO 5801
Caudal en m³/h
Presión estática en Pa
Curvas azules de SFP en W/m³/s
Potencia absorbida en W

Test standard: ISO 5801
Air volume in m³/h
Static pressure in Pa
SFP blue curves in W/m³/s
Input Power in W



Soler&Palau
Ventilation Group

PSB/3-225/088 PS EC 2H0

IP44

plug set

Características Characteristics

Model type	Input tension regul. (V)	Speed (rpm)	Maximum power absorbed (W)	Maximum current absorbed (A)	Maximum air volume (m3/h)
CRBB/3-225/088 PS EC 2H0	10	2900	167	1,1	1270
	8	2490	111	0,7	1090
	6	1940	56	0,4	850
	4	1370	24	0,2	590

Leakage current: <= 3.5 mA

EMC interference immunity according to: EN 61000-6-1

EMC interference immunity according to: EN 61000-6-2

EMC interference emission according to: EN 61000-6-3

EMC interference emission according to: EN 61000-6-4

EMC harmonics according to: EN 61000-3-2

Control input 0-10 VDC / PWM (Speed adjustment input).

Tacho output.

Output 15 VDC, max. 100 mA

Output 10 VDC, max. 2.5 mA

Alarm relay

PROTECTIONS:

- Locked-rotor protection.

- Motor current limit.

- Over-torque protected.

- Over-temperature protected electronics / motor.

- Line undervoltage detection.

- Soft start.

Curva V_{out}/q_v

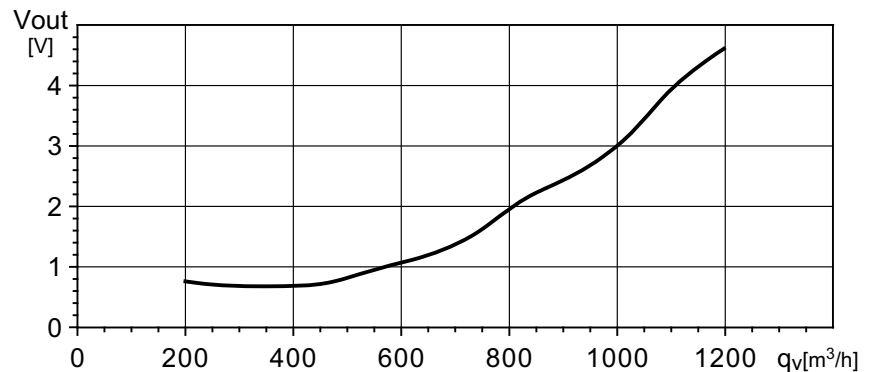
V_{out}/q_v curve

Tensión de salida del sensor de presión en función del caudal

Output tension of the pressure sensor according to air volume

$$Q = k \cdot \sqrt{\Delta P}$$

$$k = 43$$



Características acústicas

Acoustic characteristics

Norma de ensayo: ISO 5801

Espectros de potencia sonora en dB(A)

Test standard: ISO 5801

Sound power spectrum in dB(A)

INLET 10V	63	125	250	500	1000	2000	4000	8000	LwA
L	41	48	67	71	76	71	70	69	79
M	43	50	62	69	72	69	66	57	76
H	47	55	69	73	75	69	63	54	78

INLET 6V	63	125	250	500	1000	2000	4000	8000	LwA
L	37	46	55	62	67	65	62	50	71
M	32	43	53	59	63	59	55	42	66
H	37	53	58	62	64	57	50	38	67

OUTLET 10V	63	125	250	500	1000	2000	4000	8000	LwA
L	50	54	71	73	80	82	76	71	85
M	51	50	68	69	77	78	68	60	81
H	52	57	71	74	79	78	68	61	83

OUTLET 6V	63	125	250	500	1000	2000	4000	8000	LwA
L	36	47	59	63	71	73	65	54	76
M	32	44	56	61	67	67	58	48	71
H	39	55	60	63	68	66	55	49	71

INLET 8V	63	125	250	500	1000	2000	4000	8000	LwA
L	39	50	61	68	73	71	70	60	77
M	37	47	59	65	69	66	62	52	72
H	42	54	65	69	71	64	58	49	74

INLET 4V	63	125	250	500	1000	2000	4000	8000	LwA
L	31	43	48	55	60	57	49	37	63
M	27	40	45	51	53	49	42	28	57
H	33	46	49	53	54	47	40	26	58

OUTLET 8V	63	125	250	500	1000	2000	4000	8000	LwA
L	39	51	67	69	77	79	72	64	82
M	37	47	64	65	74	74	64	55	78
H	47	56	67	70	76	74	64	57	79

OUTLET 4V	63	125	250	500	1000	2000	4000	8000	LwA
L	32	46	50	59	65	65	52	43	69
M	27	43	46	53	58	58	43	41	62
H	34	48	51	55	58	55	43	42	62



Soler&Palau
Ventilation Group

PSB/3-250/084 PS EC 2H0

plug set

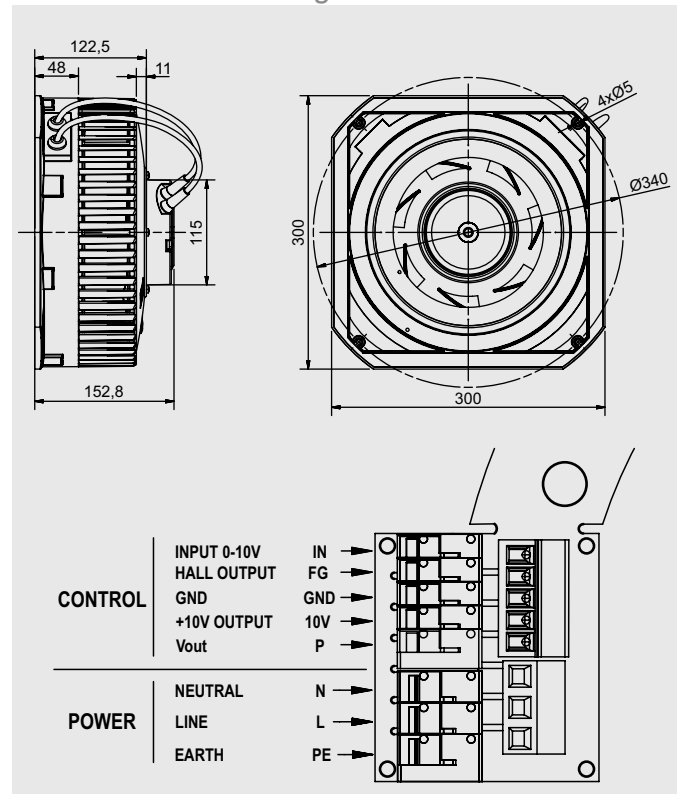
IP44



Dimensiones y conexiones
Dimensions and wiring

Características Characteristics

Tensión Voltage	1 ~ 230V 50/60Hz
Tipo motor Motor type	1V 1S IP44 cl.F
Velocidad Speed	2650 RPM
Potencia absorbida máxima Maximum absorbed power	207 W
Intensidad absorbida máxima Maximum absorbed current	1,4 A
Condensador Capacitor	
Temperatura del aire Air temperature	-20°C < T < +50°C
Peso Weight	3,4 kg
Código ventilador Fan code number	5505003000
Código motor Motor code number	



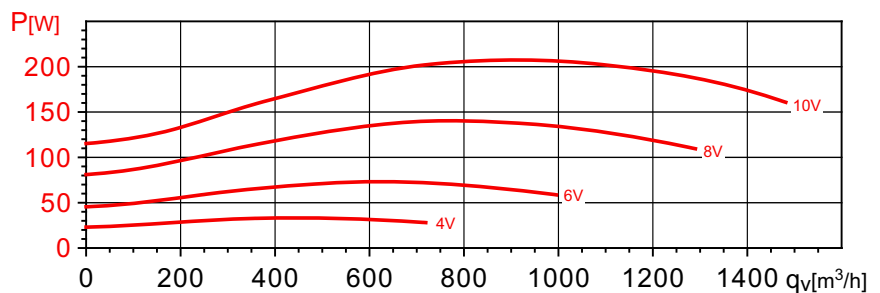
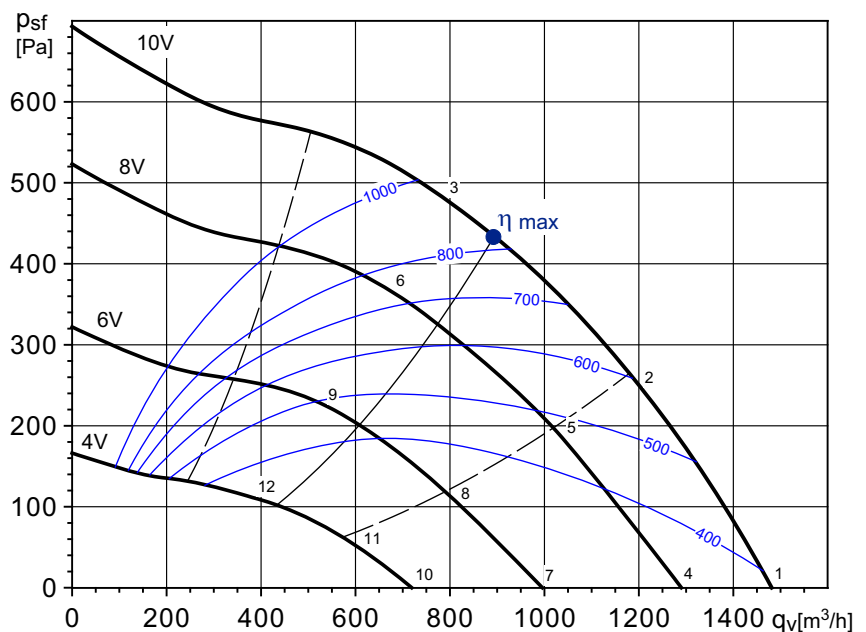
Curvas características / Performance curves (21/01/2016)

	Fan data	ErP 2015
Installation category	A	
Efficiency category	Static	
VSD must be installed with the fan	No	
Specific ratio	1	
Overall efficiency [%]	51,9	44,3
Efficiency grade	69,6	62,0
Absorbed power [kW]	0,207	
Air volume [m ³ /h]	893	
Total pressure [Pa]	433	
Speed [RPM]	2648	

* Data at optimum efficiency working point

Norma de ensayo: ISO 5801
Caudal en m³/h
Presión estática en Pa
Curvas azules de SFP en W/m³/s
Potencia absorbida en W

Test standard: ISO 5801
Air volume in m³/h
Static pressure in Pa
SFP blue curves in W/m³/s
Input Power in W



Soler&Palau
Ventilation Group

PSB/3-250/084 PS EC 2H0

IP44

plug set

Características Characteristics

Model type	Input tension regul. (V)	Speed (rpm)	Maximum power absorbed (W)	Maximum current absorbed (A)	Maximum air volume (m3/h)
CRBB/3-250/084 PS EC 2H0	10	2650	207	1,4	1480
	8	2300	140	1,0	1290
	6	1800	73	0,6	1000
	4	1290	33	0,3	720

Leakage current: <= 3.5 mA

EMC interference immunity according to: EN 61000-6-1

EMC interference immunity according to: EN 61000-6-2

EMC interference emission according to: EN 61000-6-3

EMC interference emission according to: EN 61000-6-4

EMC harmonics according to: EN 61000-3-2

Control input 0-10 VDC / PWM (Speed adjustment input).

Tacho output.

Output 15 VDC, max. 100 mA

Output 10 VDC, max. 2.5 mA

Alarm relay

PROTECTIONS:

- Locked-rotor protection.

- Motor current limit.

- Over-torque protected.

- Over-temperature protected electronics / motor.

- Line undervoltage detection.

- Soft start.

Curva V_{out}/q_v

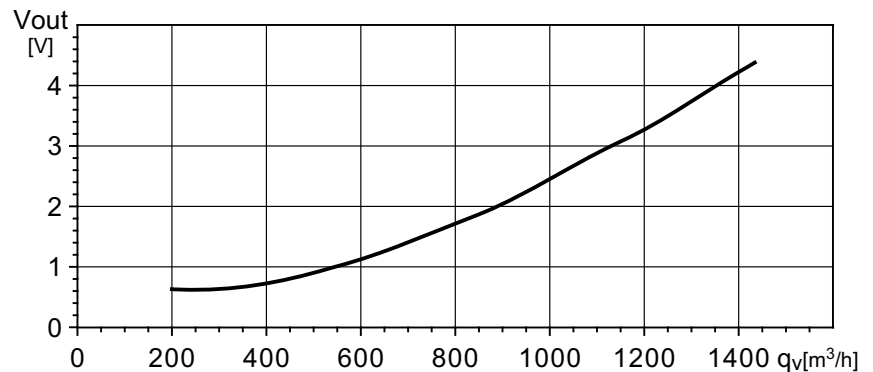
V_{out}/q_v curve

Tensión de salida del sensor de presión en función del caudal

Output tension of the pressure sensor according to air volume

$$Q = k \cdot \sqrt{\Delta P}$$

$$k = 58$$



Características acústicas

Acoustic characteristics

Norma de ensayo: ISO 5801

Espectros de potencia sonora en dB(A)

Test standard: ISO 5801

Sound power spectrum in dB(A)

INLET 10V	63	125	250	500	1000	2000	4000	8000	LwA
1	41	53	72	72	76	73	77	64	82
2	38	49	68	70	71	71	67	58	77
3	40	52	65	71	72	68	63	58	76

INLET 6V	63	125	250	500	1000	2000	4000	8000	LwA
7	37	47	61	63	65	63	60	48	70
8	31	42	57	60	61	60	54	44	66
9	34	47	57	60	62	56	51	45	66

OUTLET 10V	63	125	250	500	1000	2000	4000	8000	LwA
1	44	54	72	73	81	80	76	68	85
2	42	49	66	70	76	76	71	61	80
3	42	53	66	70	77	75	66	59	80

OUTLET 6V	63	125	250	500	1000	2000	4000	8000	LwA
7	37	49	60	63	70	70	63	52	74
8	32	43	56	60	66	66	58	47	70
9	35	48	57	61	66	62	53	45	69

INLET 8V	63	125	250	500	1000	2000	4000	8000	LwA
4	39	50	69	68	72	70	68	59	77
5	35	46	63	65	68	66	62	53	72
6	38	50	63	65	69	63	58	53	72

INLET 4V	63	125	250	500	1000	2000	4000	8000	LwA
10	34	51	48	54	57	57	45	36	62
11	29	48	47	50	53	50	40	32	57
12	29	48	48	52	52	47	39	34	57

OUTLET 8V	63	125	250	500	1000	2000	4000	8000	LwA
4	39	51	67	69	77	76	71	61	81
5	36	47	62	65	73	72	66	56	77
6	38	50	62	66	74	70	61	54	76

OUTLET 4V	63	125	250	500	1000	2000	4000	8000	LwA
10	30	49	49	55	62	63	48	39	66
11	27	49	46	51	58	58	43	34	62
12	29	45	47	53	56	53	42	33	60



Soler&Palau
Ventilation Group

PSB/1-190/060 24VDC

IP44

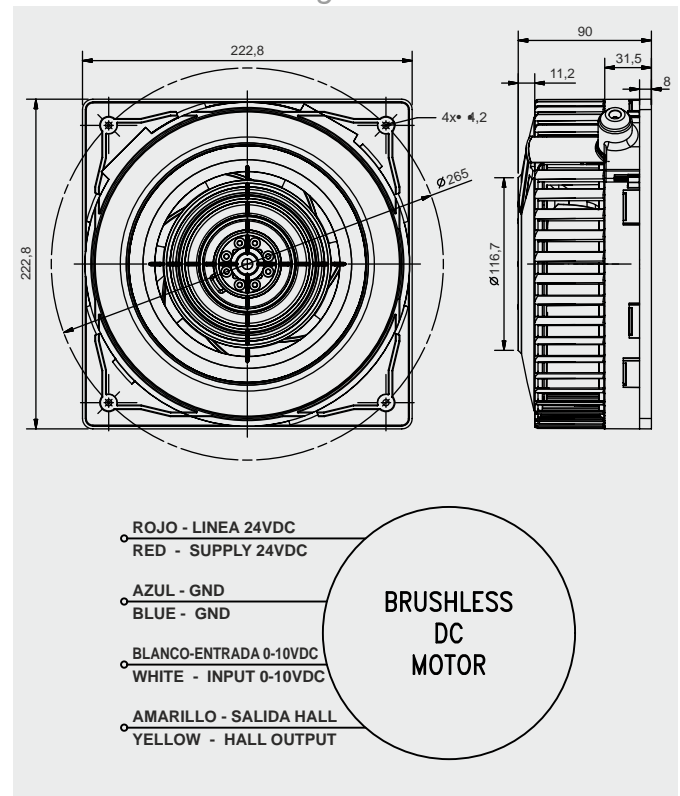
plug set



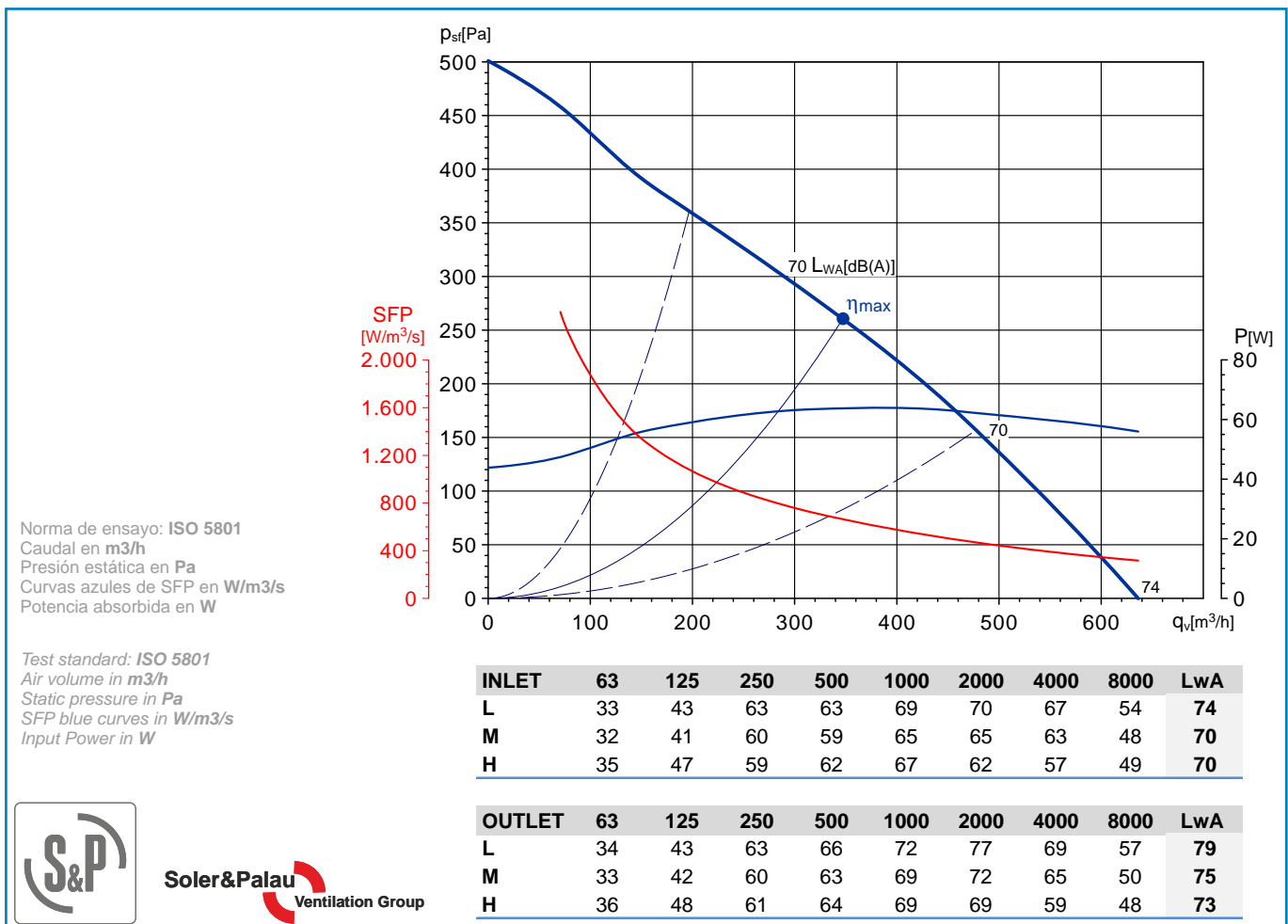
Características Characteristics

Tensión Voltage	24VDC
Tipo motor Motor type	DC MOTOR - IP44 cl.B
Velocidad máxima Maximum speed	2921 RPM
Potencia absorbida máxima Maximum absorbed power	64 W
Intensidad absorbida máxima Maximum absorbed current	2,55 A
Condensador Capacitor	
Temperatura del aire Air temperature	-20°C<T<+50°C
Peso Weight	1,3 kg
Código ventilador Fan code number	----- 5505000500 (IG)
Código motor Motor code number	

Dimensiones y conexiones Dimensions and wiring



Curvas características / Performance curves (03/02/2014)

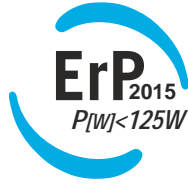


Soler&Palau
Ventilation Group

PSB/1-190/060 48VDC

IP44

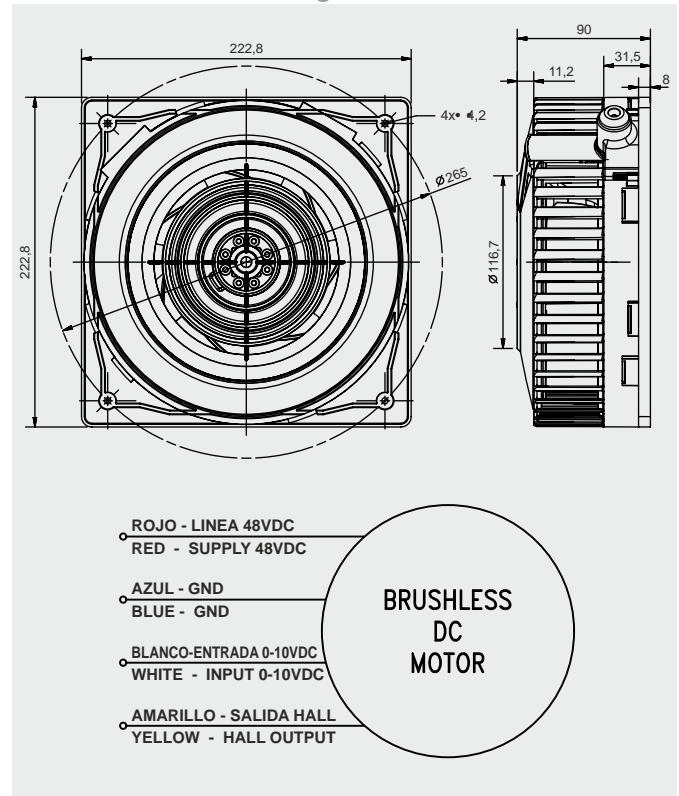
plug set



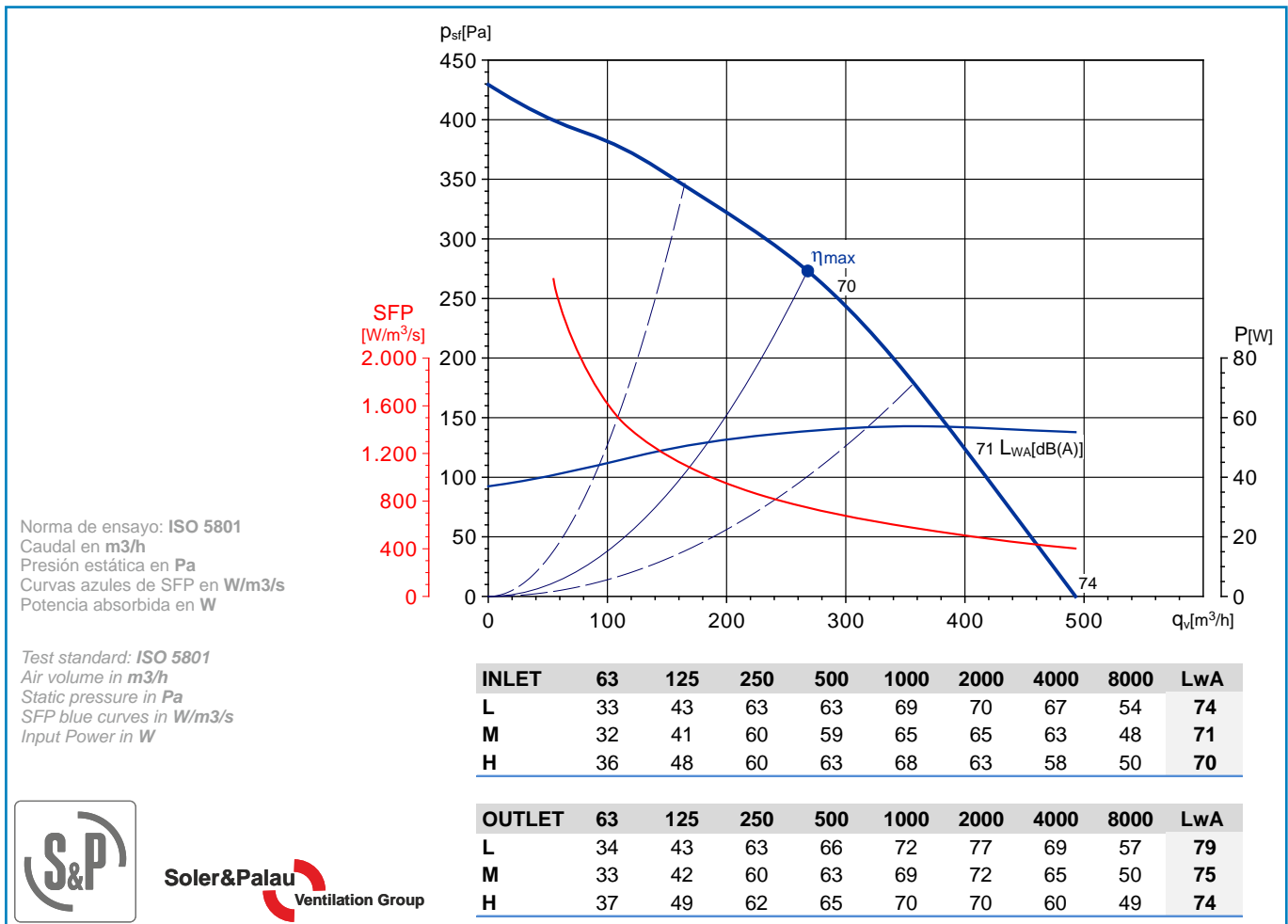
Características Characteristics

Tensión Voltage	48VDC
Tipo motor Motor type	DC MOTOR - IP44 cl.B
Velocidad máxima Maximum speed	2961 RPM
Potencia absorbida máxima Maximum absorbed power	61 W
Intensidad absorbida máxima Maximum absorbed current	1,2 A
Condensador Capacitor	
Temperatura del aire Air temperature	-20°C < T < +65°C
Peso Weight	1,3 kg
Código ventilador Fan code number	5505000800 ----- (IG)
Código motor Motor code number	

Dimensiones y conexiones Dimensions and wiring



Curvas características / Performance curves (17/03/2014)



Soler&Palau
Ventilation Group

PSB/1-225/088 48VDC

IP44

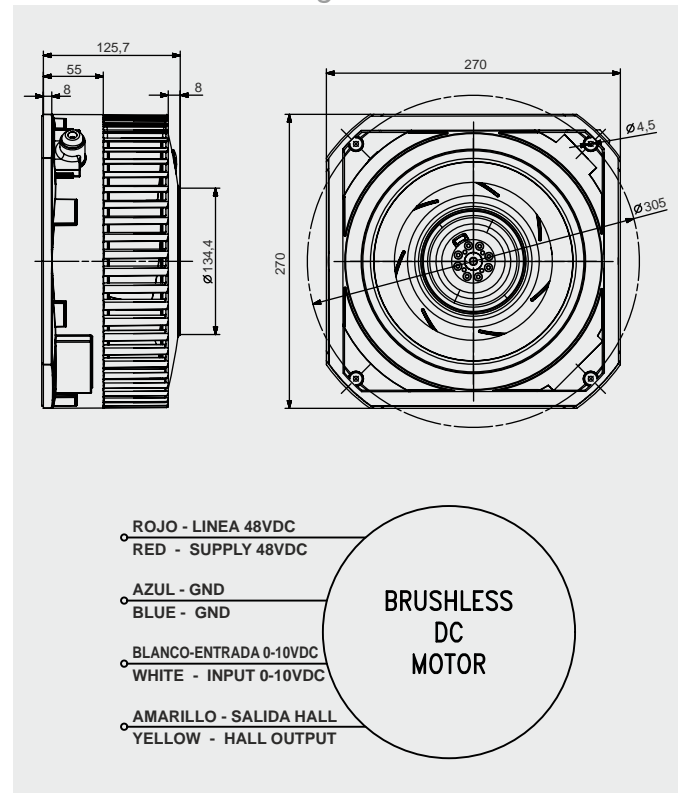


plug set

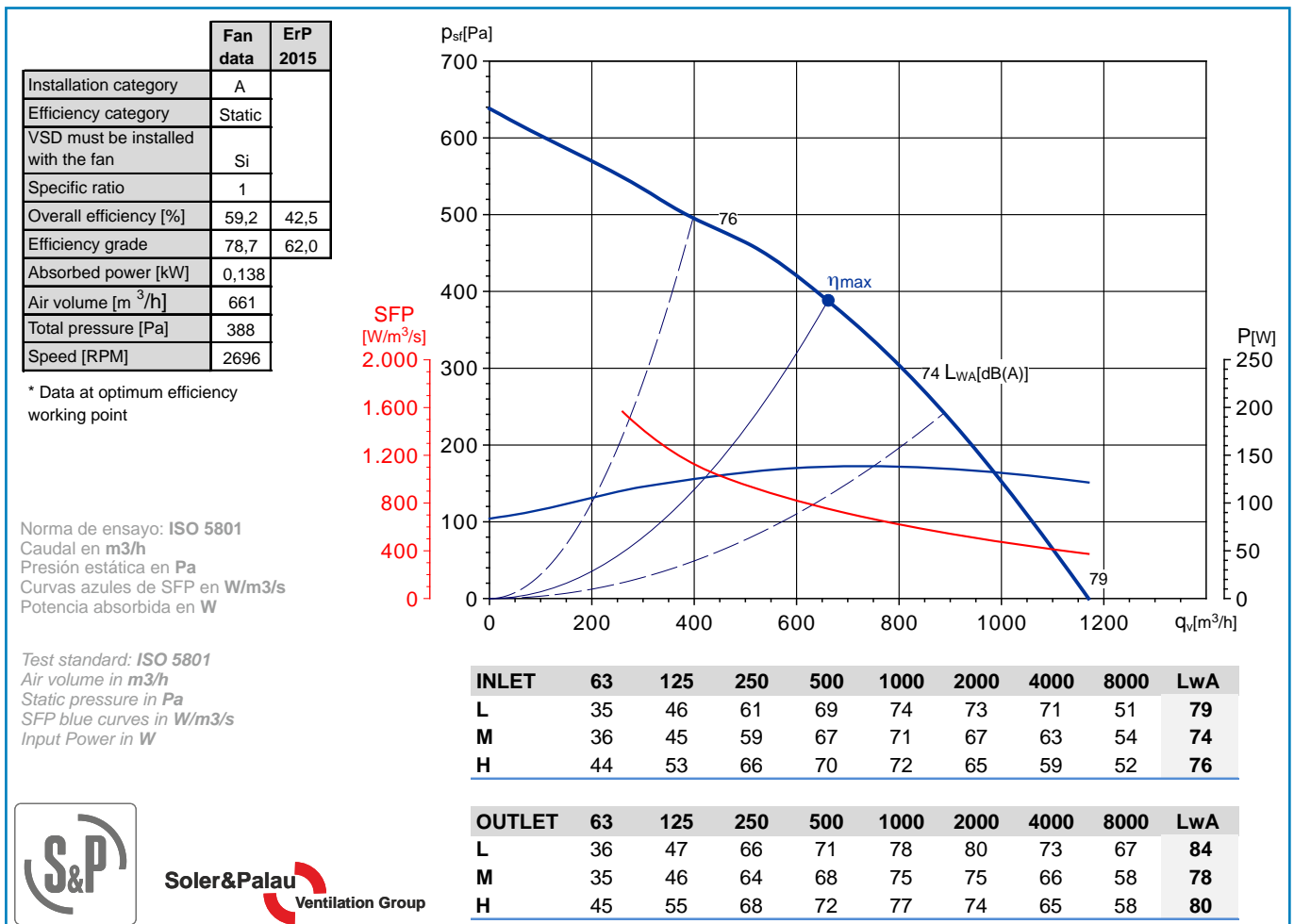
Dimensiones y conexiones
Dimensions and wiring

Características Characteristics

Tensión Voltage	48 VDC
Tipo motor Motor type	DC MOTOR IP44 cl.B
Velocidad Speed	2740 RPM
Potencia absorbida máxima Maximum absorbed power	139 W
Intensidad absorbida máxima Maximum absorbed current	2,8 A
Condensador Capacitor	
Temperatura del aire Air temperature	-20°C < T < +50°C
Peso Weight	3 kg
Código ventilador Fan code number	5505002500 ----- (IG)
Código motor Motor code number	



Curvas características / Performance curves (25/07/2016)



Soler&Palau
Ventilation Group

PSB/1-250/084 48VDC

IP44

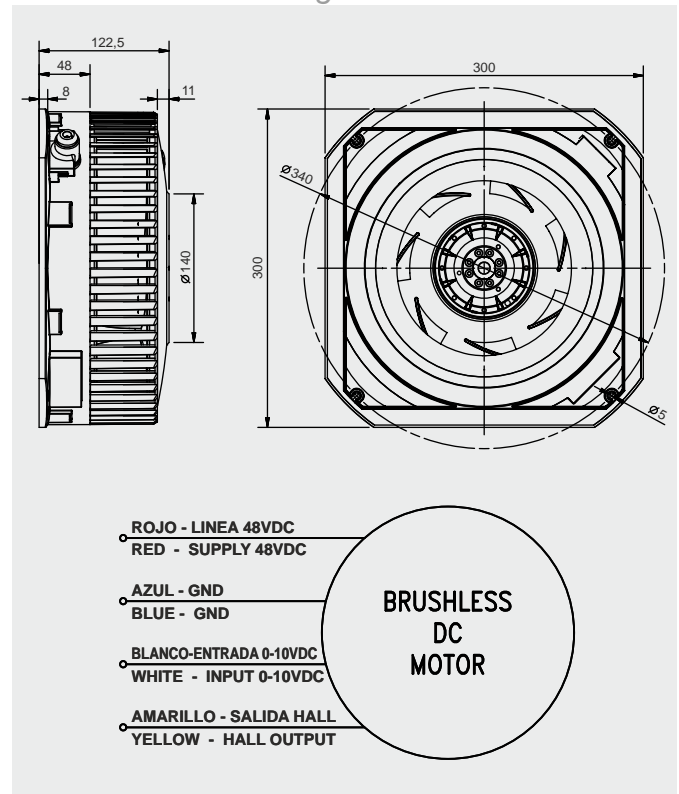


plug set

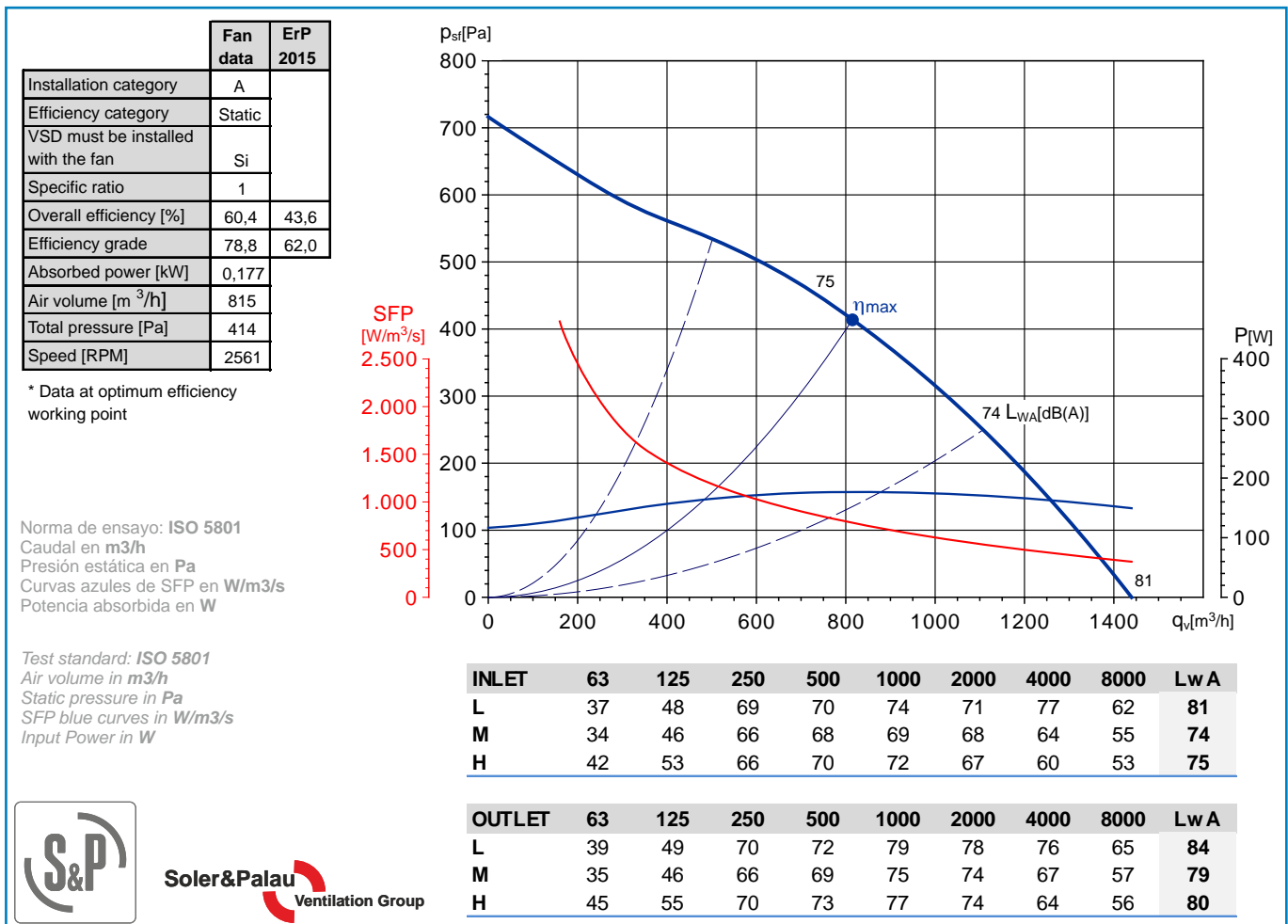
Dimensiones y conexiones
Dimensions and wiring

Características Characteristics

Tensión Voltage	48 VDC
Tipo motor Motor type	DC MOTOR IP44 cl.B
Velocidad Speed	2630 RPM
Potencia absorbida máxima Maximum absorbed power	177 W
Intensidad absorbida máxima Maximum absorbed current	3,8 A
Condensador Capacitor	
Temperatura del aire Air temperature	-20°C<T<+55°C
Peso Weight	3,2 kg
Código ventilador Fan code number	5505002600 ----- (IG)
Código motor Motor code number	



Curvas características / Performance curves (21/07/2016)



Soler&Palau
Ventilation Group



Llevant, 4
Polígono Industrial Llevant
08150 Parets del Vallès
Barcelona - Spain

Tel. +34 93 571 93 00
Fax +34 93 571 93 01

www.solerpalau.com

All S&P products are designed
to comply with applicable
EU directives. CE marked