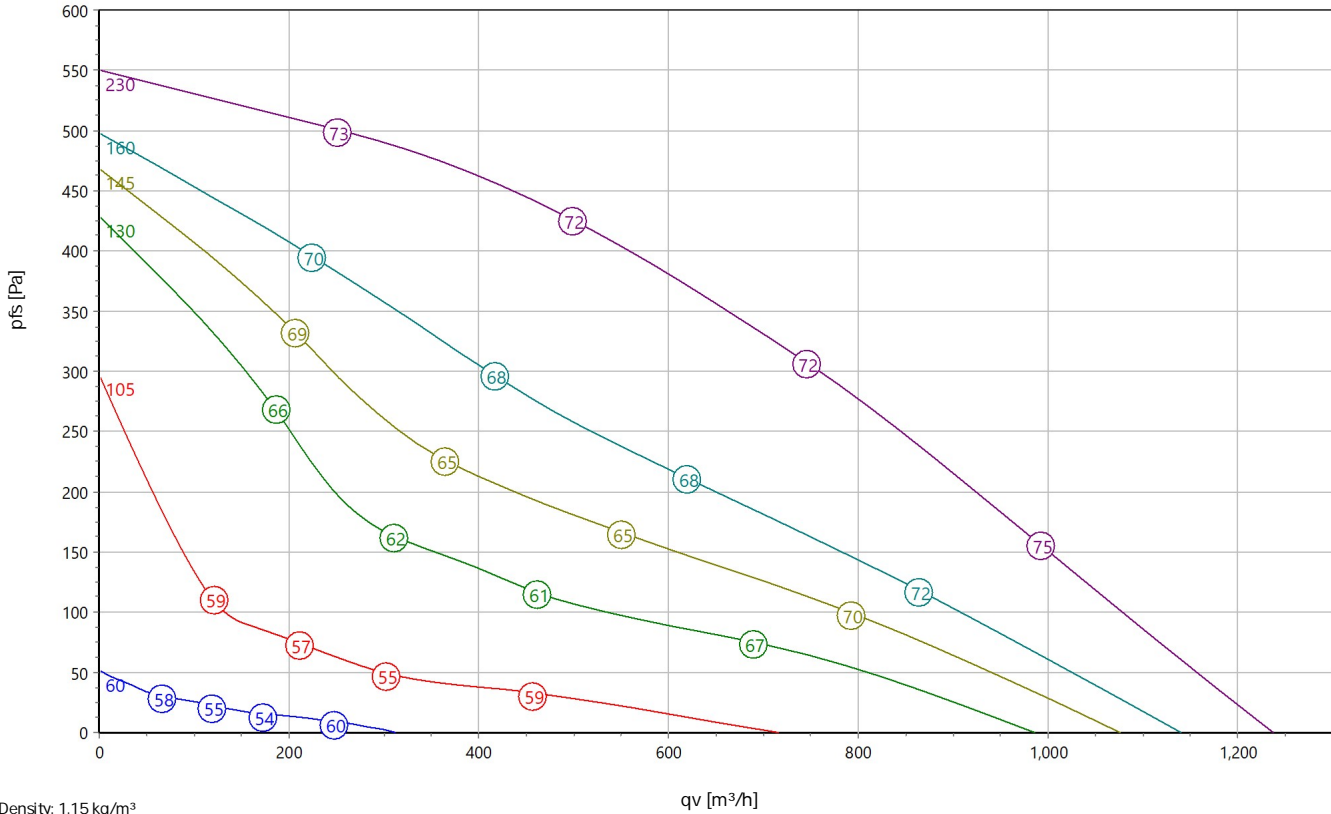




Tube Fan
Type: **RS 315 M.3EF**
Art.-No.: F00-31562



Curve:



ErP-Data:

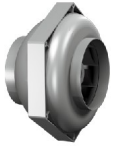
Type:	Lot6	
q _v	622	m ³ /h
p _{fs}	387	Pa
η _{e,fs}	34.8	%
P _e	0.19	kW
n	2668	1/min
N	45	
η _{e,fs} Lot11	44.5	%

Technical Data:

U [V]	f [Hz]	P _e [kW]	I _N [A]	n _N [1/min]	C [μF]	t _r [°C]	k ₁₀ [m ² /h]	I _A / I _N	IP	m [kg]
230	50	0.2	0.85	2670	6	70	-	2.4	IP 44	5.8

Sound:

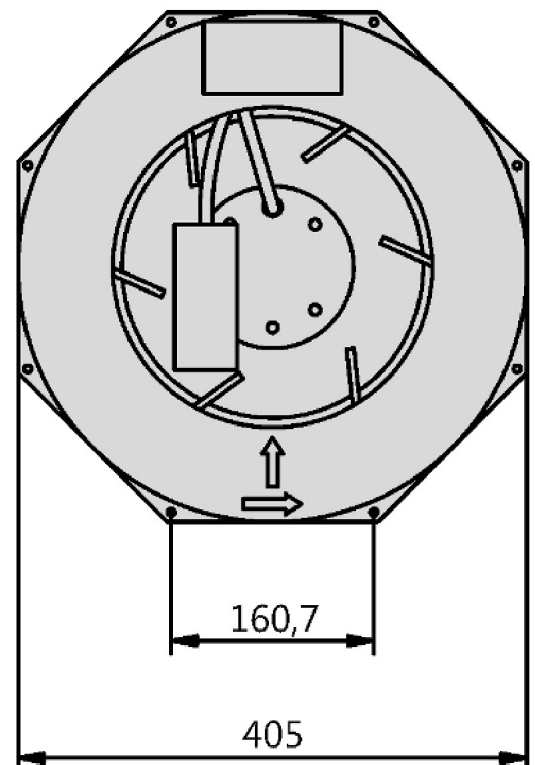
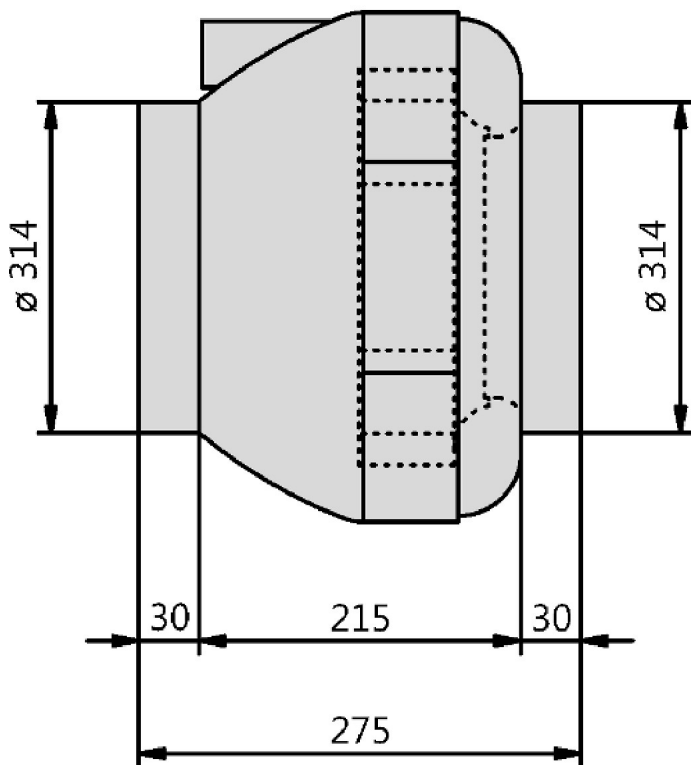
			125Hz	250Hz	500Hz	1KHz	2KHz	4KHz	8KHz
L _{wA2} [db(A)]	Housing	-18	-33	-28	-23	-23	-26	-30	-39
L _{wA5} [db(A)]	Inlet	1	-26	-8	-7	-3	-7	-8	-14
L _{wA6} [db(A)]	Outlet	0	-26	-12	-11	-6	-4	-8	-13



Tube Fan

Type: **RS 315 M.3EF**

Art.-No.: F00-31562



Tube fan

with casing made of plastic

The casing is made from shock-proof, recyclable black plastic (PA 6.6 + GF) with integrated terminal box and the possibility to mount a bracket. Inlet and outlet side with duct connection for standard round ducts. Mounting either with horizontal or vertical motor shaft. Impeller made of galvanised steel with backward curved blades. Direct driven single phase AC motor with moisture protection. The motors have integrated motor protection (thermal contacts). Maintenance free ball bearings, closed on both sides, with long-term lubrication. Motorized Impeller statically and dynamically balanced according to DIN ISO 1940 G2.5. The electrical connection is mounted on the housing by a terminal box. Air volume control: possible by the use of an electronic speed controller or a step transformer (accessory).

Fan complies with the guidelines required (Machinery-, EMC- and Low Voltage Directive) to comply with installation and conformity declaration as well as CE marking.

Nominal Data:

Voltage [U]

230 V

Frequency [f]

50 Hz

Input power [P]

0.2 kW

Current [I]

0.85 A

Speed [n]

2670 1/min

Medium temperature [tR]

70 °C

Protection Mode

IP 44

Weight [m]

5.8 kg

Contact:

Rosenberg Ventilatoren GmbH

Maybachstraße 1

D - 74653 Künzelsau - Gaisbach

www.rosenberg-gmbh.com

Type:

RS 315 M.3EF

Article-No.:

F00-31562



Tube Fan

Type: **RS 315 M.3EF**

Art.-No.: F00-31562

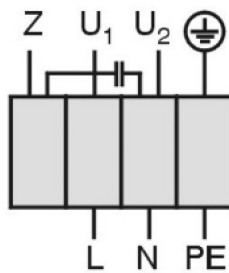


Einphasenwechselstrommotor mit Betriebskondensator und Thermostatschalter.
Thermostatschalter intern mit der Wicklung in Reihe geschaltet.

**Single phase A.C. motor with operating capacitor and thermostatic switch.
Thermostatic switch internal wired in series with windings.**

***Moteur monophasé avec condensateur permanent et interrupteur
thermostatique en série avec le bobinage en cas de branchement***

TK3-20005



U₁ blau / blue / bleu
 U₂ schwarz / black / noir
 Z braun / brown / brun
 PE gelb-grün
 yellow-green
 jaun-vert

01.009