

envirovent®

SILENT MV - 160/100
SILENT MV - 160/100 T
INSTALLATION AND WIRING INSTRUCTIONS



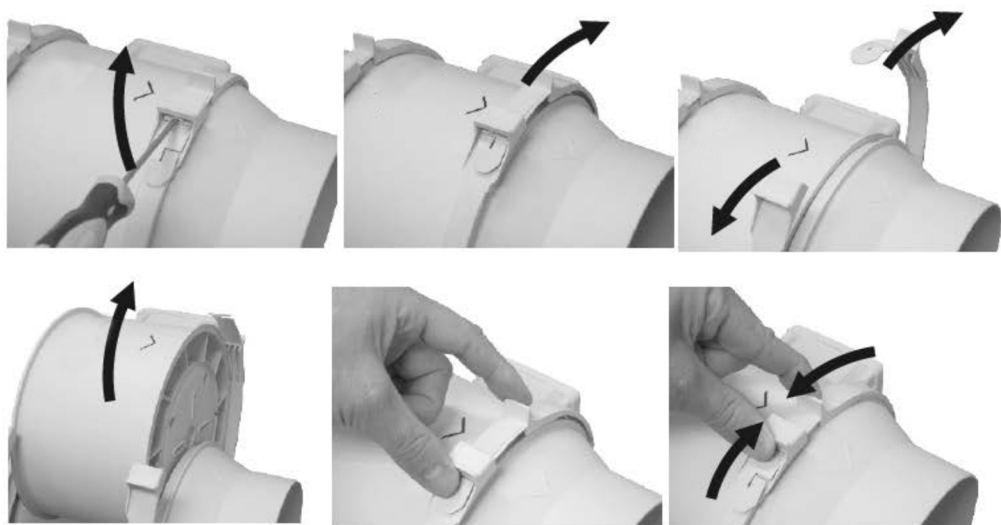
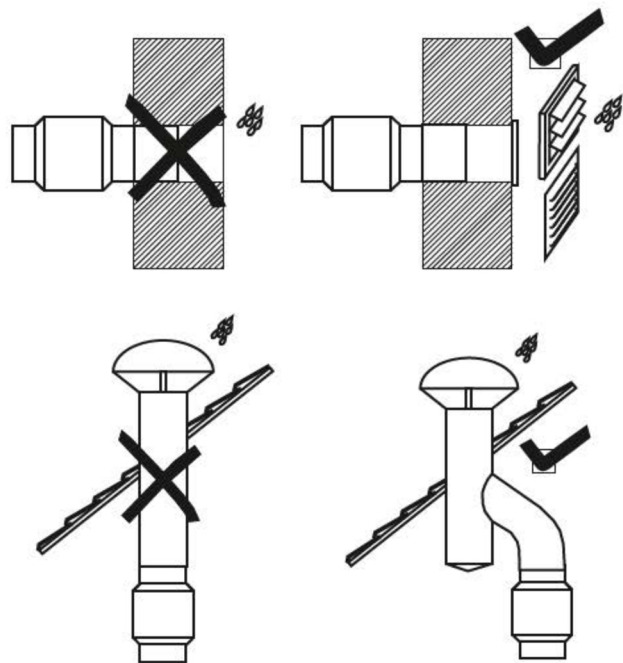
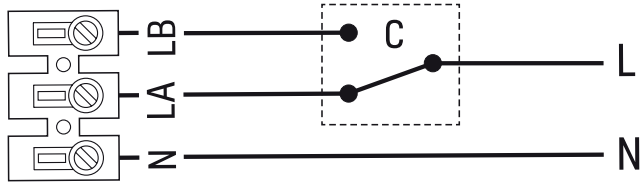


Fig.1

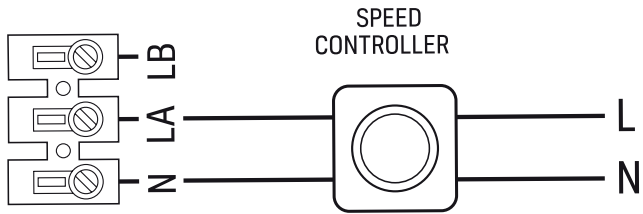
Non-earthed dual isolation devices



N- NEUTRAL / LA-HIGH SPEED / LB-LOW SPEED / C-SWITCH

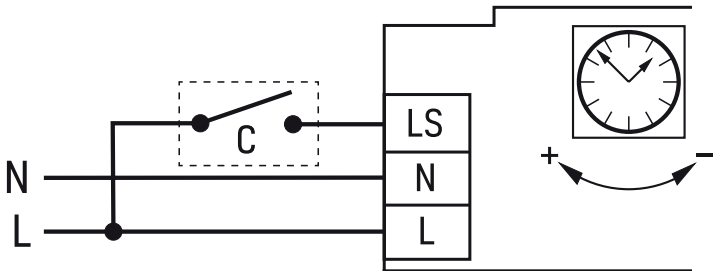
Fig.2

Non-earthed dual isolation devices



N- NEUTRAL / LA- HIGH SPEED

Fig.3



SILENT MV 160/100 – SILENT MV 160/100 “T”

Installation and wiring instructions for in-line duct fan.

The SILENT MV 160/100 / SILENT MV 160/100 “T” in-line duct extractor fans have been manufactured in accordance with the rigorous standards of production and quality control lay down by the international Quality Standard ISO 9001. All components have been checked and each of the finished products has been tested at the end of the manufacturing process.

We recommend that you check the following when receiving this product:

- That it is the correct size and model.
- That the details on the rating label are those you require; voltage, frequency, performance.

Important Safety Information

- The installation should always be carried out in accordance with all current applicable Standards to the country in which the product is installed.
- The installation should always be carried out by a suitably qualified and competent person [s].
- These fans are not for stand-alone use. They are designed to be incorporated in to ducted systems, machines or where safe operation has been ensured by providing protection to moving parts.
- Do not use this product in, or to extract from, potentially hazardous or explosive atmospheres.
- If the extractor operates in a room with a boiler or any other type of appliance requiring air for combustion, check that air replacement in lets are sufficiently sized.
- The extractor outlet must not be connected to a duct used to exhaust smoke or fumes from any appliance that uses gas or any other type of fuel.

Installation

- This unit must not be installed outside, unless covered by a suitable weather proof enclosure.
- For installation a support bracket is provided with the extractor which allows the motor and impeller assembly to be fitted or removed without dismantling the adjacent ducting.
- For installation, remove the motor and impeller assembly from its support bracket (Fig. 1).
- Fix the support bracket in position where the extractor is to be located.
- Connect the inlet and outlet ducting. In order to avoid losses in performance we do not recommend that fan is used in conjunction with ducting of a lesser diameter than the fan connection spigots. If the extractor is connected to flexible ducting, then the ducting must be expanded as much as possible.
- The fan should be installed to ensure minimum vibration and noise transmission to surrounding ductwork and building frames. Ant vibration mountings and sound attenuating accessories are available. Please contact your local distributor.

- The fan should always be installed so that safe operation and maintenance can be ensured.
- Before installing the unit ensures the impeller is running freely and there are no obstructions to the airflow.

Electrical Connection

- Before Installation and Wiring ENSURE THE MAINS ELECTRICAL SUPPLY IS DISCONNECTED!
- The electrical installation must include a double pole switch with a contact clearance or at least 3mm, correctly sized and in accordance with the electrical standards of the country of installation.
- Ensure that the voltage and frequency of the electrical supply match the information stated on the Date Plate of the unit (maximum recommended tolerance of Voltage (V) and Frequency (Hz) $\pm 5\%$).
- The SILENT MV 160/100 standard fan (non-Timer) is fitted with single-phase 2-speed motor. For connection using the two speed selection switches REGUL-2 or COM-2, follow wiring diagrams (Fig. 2). All motors are also 100% speed controllable via electronic voltage regulating speed controllers. For connection using a REB single phase speed controlled, follow wiring diagrams (Fig. 3).
- The SILENT MV 160/100 "T" fan is fitted with single-phase 1-speed motor and an electronic timer adjustable from approx. 1 minute up to 30 minutes. For connection, follow wiring diagram (Fig. 4).
- Before operation, check all connections are correct and there are no obstructions to the airflow.
- On connecting the electrical supplies ensure the direction of rotation and airflow corresponds with the direction airflow / rotation arrows (sited on unit).

Maintenance

- Before inspection or repair, ensure that the unit is disconnected from the mains electrical supply.
- The fan impeller should be cleaned at least once (1) a year to ensure trouble free operation.
- Do not clean the unit with strong detergents or cleaning fluids. Use a damp (not wet) cloth only for cleaning.

After Sales Services

We recommend you do not dismantle or remove any other parts than those mentioned, as any tampering would automatically cancel the guarantee. If you detect any fault, contact EnviroVent on 01423810810.

EnviroVent reserves the right to alter specifications without notice.

All EnviroVent products are designed to be recycled when they reach the end of their working life. To save the environment and to reduce land fill, please call EnviroVent on 01423810810 to arrange for the fan to be returned to the factory.

Guarantee

The SILENT MV-160/100 fans are covered by a five year guarantee, subject to the specified maintenance stated within this booklet. In the event of any failure of the fan within five years of supply- excluding only wilful or careless damage - we will exchange the fan free of charge.

Name and Address of Purchaser:

.....

.....

Model:

Date of Purchase:

Dealer Stamp:

envirovent®

Leading Manufacturer & Supplier of
Innovative & Sustainable Ventilation Systems

EnviroVent Limited
EnviroVent House
Hornbeam Business Park
Harrogate
HG2 8PA

T / 01423 810 810
E / info@envirovent.com
W / envirovent.com

9023004002-02