

# NEW Slimpak EC Box Fan (SLP EC)

- Ultra slim and compact
- Energy efficient EC/DC motor
- Backward curved impeller
- Acoustically treated 'O' class rated
- 'Eco Flow' computer modelled design
- Integral commissioning potentiometer
- Optional external speed control input
- Matching ancillaries



The New range of Slimpak EC single in-line box fans incorporate an energy efficient EC motor and basic commissioning controls to offer an energy efficient basic fan system.

Manufactured from Galvanised sheet the Slimpak (SLP EC) fan units are internally treated with an 'O' class rated, BS476 part 6 & 7, acoustic foam, which offers the benefits of high sound absorption and good thermal insulation properties, in addition to self extinguishing properties and resistance to ignition.

The casing includes an inclined inlet and bellmouth entry which directs the incoming air to the impeller with minimal turbulence. The result is better air management through the unit, less noise, higher efficiency and an increased performance.

The housing is designed to be as compact as possible for ceiling or plant room applications with integral mounting points to allow quick and easy installation.

---

## Motor / Impellers

All SLP EC units feature an energy efficient, Class 1, EC/DC external rotor motor and backward curved impeller assembly specifically chosen for performance and non-overloading characteristics. The assembly is dynamically balanced to DIN ISO 1940 Grade 6.3, duct size 500mm rated IP54, all other sizes, IP44 according to BS EN 60529. Ball bearings are greased for life. Insulation is Class 'B' (from -25°C to +60°C). All models incorporate internal electronic overload protection and soft start function.

---

## Control

Every SLP EC unit is fitted with a purpose designed integral commissioning controller giving the ability to set the exact duty required at commissioning. Alternatively the integral potentiometer can be bypassed to allow remote speed control via an external 0-10V potentiometer. Low voltage control wiring is kept separate from the mains wiring.

---

## Electrical

Motors are single phase 230V +/- 10% / 50/60Hz / 1ph (size 100-400mm) or 400V +/- 10% / 50/60Hz / 3ph (size 500mm).

---

## Performance/Sound

Extensively tested to BS848 parts 1 & 2. Published dB(A) figures are free field sound pressure levels at 3m with spherical propagation at reference level of 2 x 10<sup>-5</sup> Pa. The inlet/outlet sound power level spectra figures are dB with a reference of 10-12 watts.

---

## Quality Assurance

Design and manufacture are in accordance with the standard for quality management systems BS EN ISO 9001:1994.

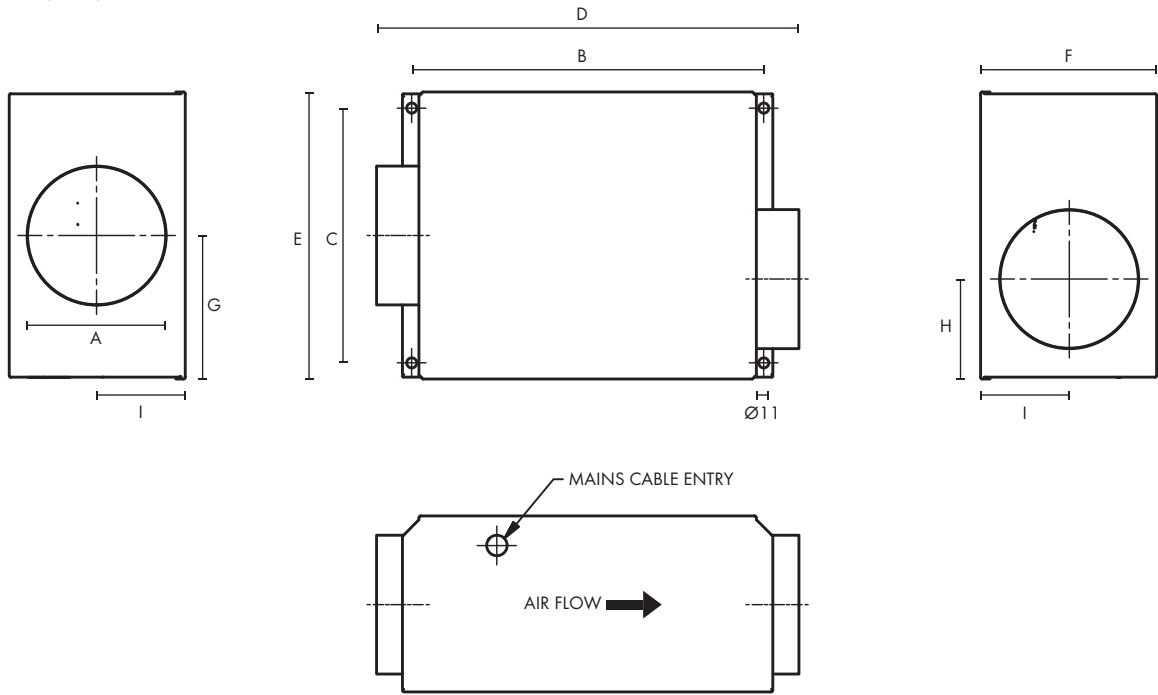
---

## Accessories

A full range of accessories are available with the Slimpak EC range of fans such as:

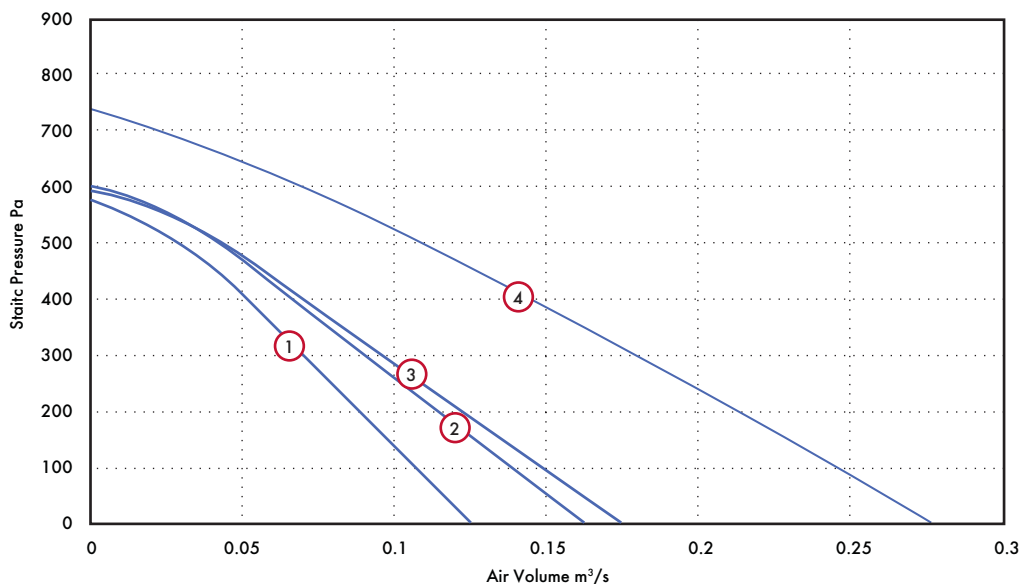
- Remote potentiometer speed controller
- Two speed trickle boost controller
- Pre & secondary filter cassettes
- Electric heater batteries
- Backdraught shutters
- In-line attenuators

Dimensions (mm)



Stock Ref	A	B	C	D	E	F	G	H	I	kg
SLP100EC	100	380	275	456	310	192	155	108	96	7.5
SLP125EC	125	380	275	456	310	192	155	108	96	7.5
SLP150EC	150	380	275	456	310	192	155	108	96	7.5
SLP200EC	200	435	330	511	364	287	182	122	143	12
SLP250EC	250	435	330	511	364	287	182	122	143	13
SLP315EC	315	710	540	785	572	460	286	243	230	33
SLP400EC	400	710	540	785	572	460	286	243	230	36
SLP500EC	500	898	735	975	770	577	385	326	286	58

## Performance Guide

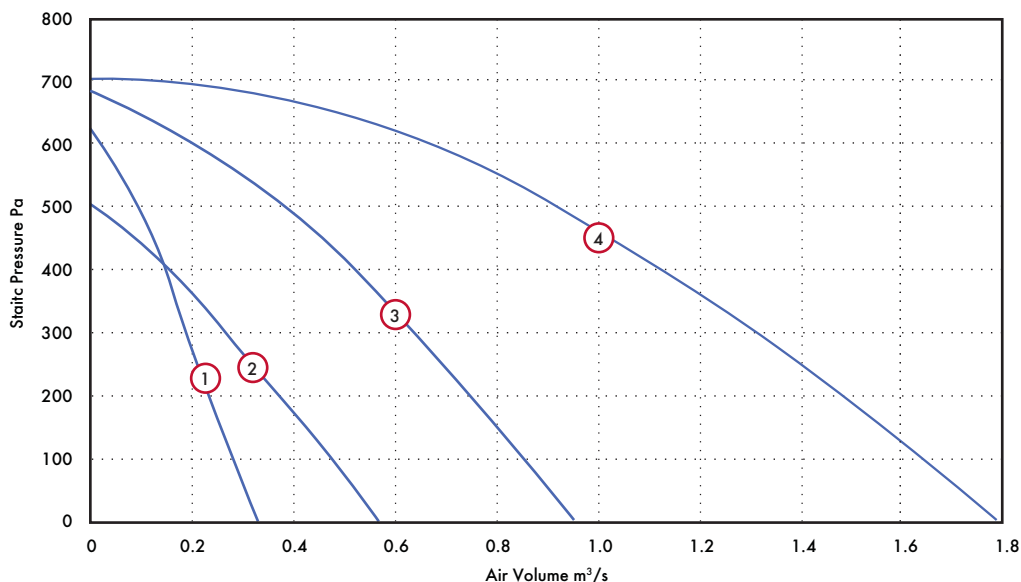


Dia.	Motor Phase	Stock Ref	IP Rating	Curve Ref.	m <sup>3</sup> /s @ Pa								S.C. Amps	F.L.C. Amps	dB(A) @ 3m			
					0	100	200	300	400	500	600	700						
100	1	SLP100EC	IP44	1	m <sup>3</sup> /s	0.13	0.11	0.09	0.07	0.05	0.03							
					kW	0.08	0.08	0.08	0.08	0.08	0.08					0.72	0.72	36
					W/l/s	0.64	0.76	0.92	1.15	1.54	2.69							
125	1	SLP125EC	IP44	2	m <sup>3</sup> /s	0.16	0.14	0.11	0.09	0.07	0.04							
					kW	0.08	0.08	0.08	0.08	0.08	0.08					0.72	0.72	37
					W/l/s	0.50	0.58	0.72	0.92	1.24	1.95							
150	1	SLP150EC	IP44	3	m <sup>3</sup> /s	0.17	0.15	0.12	0.10	0.07	0.04							
					kW	0.08	0.08	0.08	0.08	0.08	0.08					0.74	0.74	39
					W/l/s	0.46	0.54	0.66	0.85	1.17	1.94							
200	1	SLP200EC	IP44	4	m <sup>3</sup> /s	0.28	0.25	0.21	0.18	0.14	0.11	0.07	0.02					
					kW	0.15	0.16	0.17	0.17	0.17	0.17	0.17	0.16			0.72	0.72	42
					W/l/s	0.55	0.66	0.78	0.94	1.17	1.57	2.47	8.21					

## Sound Power Level Spectra dB (ref 10<sup>-12</sup> Watts)

Dia.	Motor Phase	Stock Ref	Spectrum	63	125	250	500	1k	2k	4k	8k	dB(A) @ 3m
100	1	SLP100EC	Inlet	57	62	68	71	58	52	47	41	48
			Outlet	57	63	71	72	66	62	55	48	51
			Breakout	64	63	60	55	47	46	44	38	36
125	1	SLP125EC	Inlet	58	69	70	70	60	56	48	42	48
			Outlet	58	70	71	73	70	67	60	52	54
			Breakout	62	58	59	57	52	46	37	33	37
150	1	SLP150EC	Inlet	59	68	72	76	64	58	51	48	53
			Outlet	59	70	74	76	71	70	64	58	57
			Breakout	62	61	59	60	54	49	43	37	39
200	1	SLP200EC	Inlet	68	71	72	77	70	63	61	57	56
			Outlet	70	72	69	80	76	76	72	65	62
			Breakout	63	69	66	60	53	51	50	50	42

## Performance Guide



Dia.	Motor Phase	Stock Ref	IP Rating	Curve Ref.	m <sup>3</sup> /s @ Pa							S.C. Amps	F.L.C. Amps	dB(A) @ 3m	
					0	100	200	300	400	500	600				
250	1	SLP250EC	IP44	1	m <sup>3</sup> /s	0.33	0.28	0.24	0.19	0.15	0.09		1.38	1.38	42
					kW	0.12	0.14	0.14	0.15	0.14	0.13				
					W/l/s	0.38	0.48	0.61	0.76	0.99	1.47				
315	1	SLP315EC	IP44	2	m <sup>3</sup> /s	0.57	0.48	0.37	0.26	0.15		1.36	1.36	44	
					kW	0.15	0.16	0.16	0.16	0.16					
					W/l/s	0.27	0.34	0.44	0.62	1.07					
400	1	SLP400EC	IP44	3	m <sup>3</sup> /s	0.95	0.85	0.75	0.64	0.52	0.38	0.20	2.47	2.47	48
					kW	0.40	0.42	0.44	0.44	0.44	0.42	0.36			
					W/l/s	0.42	0.49	0.58	0.69	0.84	1.09	1.83			
500	3	SLP500EC	IP54	4	m <sup>3</sup> /s	1.79	1.63	1.47	1.31	1.13	0.93	0.67	2.1	2.1	49
					kW	0.68	0.78	0.86	0.92	0.95	0.94	0.88			
					W/l/s	0.38	0.48	0.58	0.70	0.84	1.02	1.31			

## Sound Power Level Spectra dB (ref 10<sup>-12</sup> Watts)

Dia.	Motor Phase	Stock Ref	Spectrum	63	125	250	500	1k	2k	4k	8k	dB(A) @ 3m
250	1	SLP250EC	Inlet	68	71	72	80	68	62	59	56	57
			Outlet	68	71	70	78	75	75	68	63	60
			Breakout	61	63	62	62	55	54	52	45	42
315	1	SLP315EC	Inlet	67	78	79	66	61	58	53	45	52
			Outlet	66	78	78	73	70	68	63	55	56
			Breakout	62	69	69	56	53	47	43	36	42
400	1	SLP400EC	Inlet	78	83	87	73	69	66	61	54	59
			Outlet	78	85	92	80	79	75	69	61	66
			Breakout	67	73	76	63	58	50	44	40	48
500	3	SLP500EC	Inlet	88	93	86	80	71	67	59	53	62
			Outlet	87	91	89	84	83	78	68	62	67
			Breakout	74	80	76	67	61	54	44	36	50

## Models & Accessories



Fan Stock Ref	Remote Speed Control Stock Ref	Trickle/Boost Controller Stock Ref
SLP100EC	10520602	475775
SLP125EC	10520602	475775
SLP150EC	10520602	475775
SLP200EC	10520602	475775
SLP250EC	10520602	475775
SLP315EC	10520602	475775
SLP400EC	10520602	475775
SLP500EC	10520602	475775



Backdraught Shutter  
Stock Ref



Fast Clamp  
Stock Ref



Anti-Vibration Mounts (set of 4)  
Stock Ref

Size	Backdraught Shutter Stock Ref	Fast Clamp Stock Ref	Anti-Vibration Mounts (set of 4) Stock Ref
100	10542100	10540100	68MP033G
125	10542125	10540125	68MP033G
150	10542150	10540150	68MP033G
200	10542200	10540200	68MP033G
250	10542250	10540250	68MP033G
315	10542315	10540315	68MP033G
400	10542400	10540400	68MP033G
500	-	-	68MP033G



Duct Attenuator

Size	300mm Stock Ref	600mm Stock Ref	900mm Stock Ref	1200mm Stock Ref
100	10534100	10535100	10536100	-
125	10534125	10535125	10536125	-
150	10534150	10535150	10536150	-
200	-	10535200	10536200	10537200
250	-	10535250	10536250	10537250
315	-	10535315	10536315	10537315
400	-	10535400	10536400	10537400
500	-	-	10536500	-

## Models & Accessories



Size	Duct Air Heater Stock Ref	Filter Cassette Stock Ref	Bag Filter Cassette Stock Ref	Flexible Connections Stock Ref
100	10531100T1	10532100	10533100	FLX100
125	10531125T1	10532125	10533125	FLX125
150	10531150T1	10532150	10533150	FLX150
200	10531200T1	10532200	10533200	FLX200
250	10531250T1	10532250	10533250	FLX250
315	10531315T1 10531315T3	10532315	10533315	FLX315
400	10531400T3	10532400	10533400	FLX400
500	10531500T3	10532500A	10533500	FLX500